

# Switch and junction boxes

## Molded non-metallic junction boxes – 6P rated

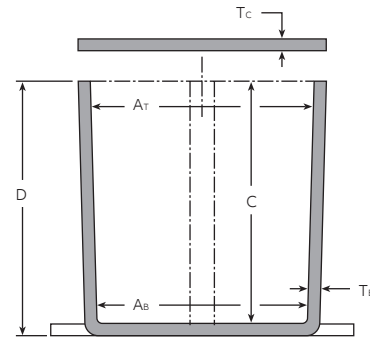
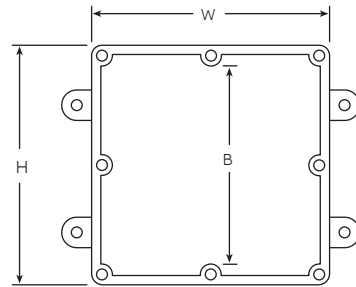
Non-metallic junction boxes are UL Listed with a NEMA 6P rating per Section 314.29, Exception of the National Electrical Code® and CSA Certified per Section 12 of the Canadian Electrical Code. Manufactured from PVC or PPO thermoplastic molding compound and featuring foam in-place gasketed lids attached with stainless steel screws, these rugged enclosures offer all the corrosion resistance and physical properties you need for direct-burial applications.

Type 6P enclosures are intended for indoor or outdoor use, primarily to provide a degree of protection against contact with enclosed equipment, falling dirt, hose-directed water, entry of water during prolonged submersion at a limited depth and external ice formation.

**Features and benefits:**

- All Carlon® Junction Boxes are UL Listed/CSA Certified and maintain a minimum of a NEMA Type 4/4X Rating
- Part numbers with an asterisk (\*) are UL Listed and maintain a NEMA Type 6P Rating and Type 4/4X Rating
- Covers are not sold as separate item
- Temperature Range: -250° F to 125° F
- UL94V-2 flammability rating

**Note:** Not rated for pedestrian traffic.



Molded non-metallic junction boxes – 6P rated

Cat. No.	Size H x W x D (in.)	Std. Ctn.	Dimensions (in.)					Material			Std. Wt.
			Min. AT	Min. AB	Min. B	Min. C	T <sub>B</sub>	T <sub>C</sub>	PVC	Thermo- plastic	
E989NNJ*	4 x 4 x 2	10	3 <sup>11</sup> / <sub>16</sub>	3 <sup>5</sup> / <sub>8</sub>	N/A	2	0.160	0.155	X		3
E987N*	4 x 4 x 4	10	3 <sup>11</sup> / <sub>16</sub>	3 <sup>1</sup> / <sub>2</sub>	N/A	4	0.160	0.155	X		4
▶ E989NNR*	4 x 4 x 6	10	3 <sup>11</sup> / <sub>16</sub>	3 <sup>3</sup> / <sub>8</sub>	N/A	6	0.160	0.200	X		5
E989PPJ*	5 x 5 x 2	10	4 <sup>11</sup> / <sub>16</sub>	4 <sup>1</sup> / <sub>2</sub>	N/A	2	0.110	0.150		X	3
E987R-CAR*	6 x 6 x 4	2	6	5 <sup>5</sup> / <sub>8</sub>	N/A	4	0.190	0.190		X	3
E989RRR-UPC*	6 x 6 x 6	8	5 <sup>5</sup> / <sub>8</sub>	5 <sup>3</sup> / <sub>8</sub>	N/A	6	0.160	0.150		X	14
E989N-CAR	8 x 8 x 4	1	8	8	N/A	4	0.185	0.190		X	2
E989SSX-UPC	8 x 8 x 7	2	7 <sup>21</sup> / <sub>32</sub>	7 <sup>5</sup> / <sub>16</sub>	N/A	7	0.160	0.150		X	6
E989UUN	12 x 12 x 4	3	11 <sup>5</sup> / <sub>8</sub>	11 <sup>1</sup> / <sub>2</sub>	11 <sup>1</sup> / <sub>8</sub>	4	0.160	0.150		X	12
E989R-UPC	12 x 12 x 6	2	11 <sup>15</sup> / <sub>16</sub>	11 <sup>7</sup> / <sub>8</sub>	11 <sup>7</sup> / <sub>16</sub>	6	0.265	0.185		X	10

\*Gaskets are FIP (foam in place).

# Switch and junction boxes

## Molded non-metallic junction boxes – 6P rated

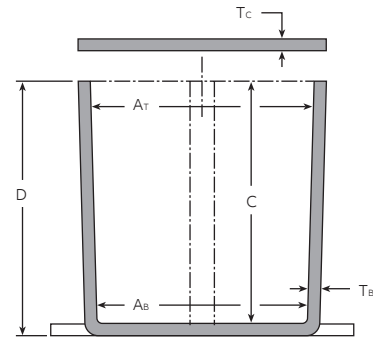
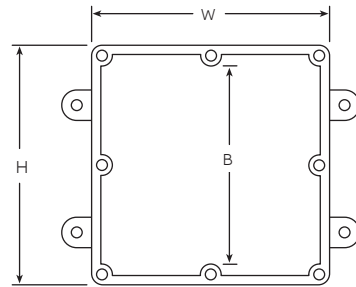
Non-metallic junction boxes are UL Listed with a NEMA 6P rating per Section 314.29, Exception of the National Electrical Code® and CSA Certified per Section 12 of the Canadian Electrical Code. Manufactured from PVC or PPO thermoplastic molding compound and featuring foam in-place gasketed lids attached with stainless steel screws, these rugged enclosures offer all the corrosion resistance and physical properties you need for direct-burial applications.

Type 6P enclosures are intended for indoor or outdoor use, primarily to provide a degree of protection against contact with enclosed equipment, falling dirt, hose-directed water, entry of water during prolonged submersion at a limited depth and external ice formation.

**Features and benefits:**

- All Carlon® Junction Boxes are UL Listed/CSA Certified and maintain a minimum of a NEMA Type 4/4X Rating
- Part numbers with an asterisk (\*) are UL Listed and maintain a NEMA Type 6P Rating and Type 4/4X Rating
- Covers are not sold as separate item
- Temperature Range: -250° F to 125° F
- UL94V-2 flammability rating

**Note:** Not rated for pedestrian traffic.



Molded non-metallic junction boxes – 6P rated

Cat. No.	Size H x W x D (in.)	Std. Ctn.	Dimensions (in.)					Material			Std. Wt.
			Min. AT	Min. AB	Min. B	Min. C	T <sub>B</sub>	T <sub>C</sub>	PVC	Thermo- plastic	
E989NNJ*	4 x 4 x 2	10	3 <sup>11</sup> / <sub>16</sub>	3 <sup>5</sup> / <sub>8</sub>	N/A	2	0.160	0.155	X		3
E987N*	4 x 4 x 4	10	3 <sup>11</sup> / <sub>16</sub>	3 <sup>1</sup> / <sub>2</sub>	N/A	4	0.160	0.155	X		4
▶ E989NNR*	4 x 4 x 6	10	3 <sup>11</sup> / <sub>16</sub>	3 <sup>3</sup> / <sub>8</sub>	N/A	6	0.160	0.200	X		5
E989PPJ*	5 x 5 x 2	10	4 <sup>11</sup> / <sub>16</sub>	4 <sup>1</sup> / <sub>2</sub>	N/A	2	0.110	0.150		X	3
E987R-CAR*	6 x 6 x 4	2	6	5 <sup>5</sup> / <sub>8</sub>	N/A	4	0.190	0.190		X	3
E989RRR-UPC*	6 x 6 x 6	8	5 <sup>5</sup> / <sub>8</sub>	5 <sup>3</sup> / <sub>8</sub>	N/A	6	0.160	0.150		X	14
E989N-CAR	8 x 8 x 4	1	8	8	N/A	4	0.185	0.190		X	2
E989SSX-UPC	8 x 8 x 7	2	7 <sup>21</sup> / <sub>32</sub>	7 <sup>5</sup> / <sub>16</sub>	N/A	7	0.160	0.150		X	6
E989UUN	12 x 12 x 4	3	11 <sup>5</sup> / <sub>8</sub>	11 <sup>1</sup> / <sub>2</sub>	11 <sup>1</sup> / <sub>8</sub>	4	0.160	0.150		X	12
E989R-UPC	12 x 12 x 6	2	11 <sup>15</sup> / <sub>16</sub>	11 <sup>7</sup> / <sub>8</sub>	11 <sup>7</sup> / <sub>16</sub>	6	0.265	0.185		X	10

\*Gaskets are FIP (foam in place).