

## Straps, clamps and accessories

### Non-metallic clamps

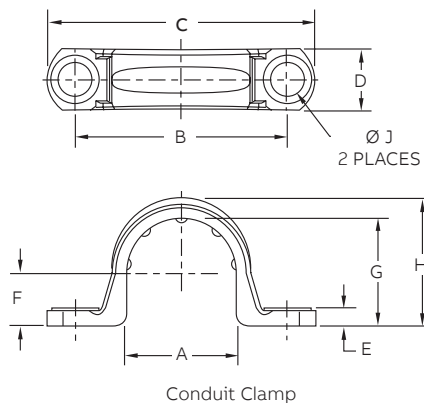


Non-metallic clamps offer the same chemical resistance as Carlon® non-metallic conduits for a complete, corrosion-resistant system.

To be used in accordance with conduit spacing requirements per NEC® Section 352.30 and 12-1114 of the CEC.

- UV inhibited for use in direct sunlight

NEC and National Electrical Code are registered trademarks of the National Fire Protection Association, Inc.



### Conduit clamps

Cat. No.	Size in. (mm)	Std. Ctn.	Std. Wt. (lbs.)	Dimensions in. (mm)								
				A	B	C	D	E	F	G	H	J
E977DC	½	100	1.2	0.892	1.71	2.16	.50	.14	.42	.866	1.04	.260
	(16)			(22.6)	(43.4)	(54.8)	(12.7)	(3.5)	(10.6)	(21.9)	(26.4)	(6.6)
E977EC	¾	100	1.4	1.102	1.97	2.40	.50	.14	0.525	1.076	1.255	0.26
	(21)			(27.9)	(50.0)	(60.9)	(12.7)	(3.5)	(13.3)	(27.3)	(31.8)	(6.6)
E977FC	1	100	2	1.39	2.25	2.81	.594	.14	0.658	1.342	1.574	0.26
	(27)			(35.3)	(57.1)	(71.3)	(15.0)	(3.5)	(16.7)	(34.0)	(39.9)	(6.6)
E977GC	1¼	50	5	1.714	2.68	3.28	0.64	.15	0.83	1.687	1.89	.32
	(35)			(43.5)	(68.0)	(83.3)	(16.2)	(3.8)	(21.0)	(42.8)	(48.0)	(8.1)
E977HC	1½	50	6	1.92	2.82	3.44	.70	0.15	0.97	1.93	2.12	.312
	(41)			(48.7)	(71.6)	(87.3)	(17.7)	(3.8)	(24.6)	(49)	(53.8)	(7.9)
E977JC	2	25	4.5	2.54	3.54	4.18	.76	.16	1.05	2.29	2.49	.315
	(53)			(64.5)	(89.9)	(106.1)	(19.3)	(4.0)	(26.6)	(58.1)	(63.2)	(8)
E977KC-CAR	2½	25	1.4	2.86	4.50	5.46	1.00	0.20	1.43	2.86	3.12	.36
	(63)			(72.6)	(114.3)	(138.7)	(25.4)	(5.08)	(36.3)	(72.6)	(79.2)	(9.14)
E977LC-CAR	3	20	1.4	3.47	5.00	6.00	1.00	.20	1.74	3.48	3.70	.36
	(78)			(88.2)	(127.0)	(152.4)	(25.4)	(5.08)	(44.3)	(88.4)	(94.0)	(9.14)
E977NC-CAR	4	15	12.2	4.366	6.15	7.20	1.00	.20	2.32	4.50	4.70	.36
	(103)			(110.9)	(156.2)	(182.9)	(25.4)	(5.08)	(58.8)	(114.3)	(119.4)	(9.14)

**Note:** Some clamp applications require two screws, two nuts and two washers.

## Straps, clamps and accessories

### Non-metallic clamps

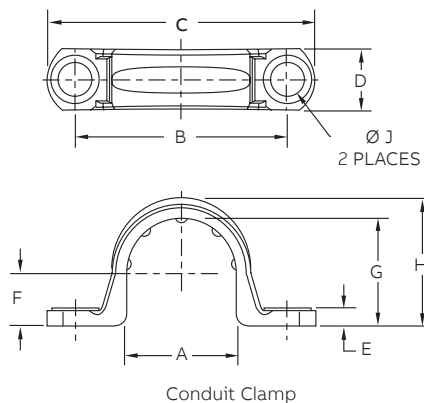


Non-metallic clamps offer the same chemical resistance as Carlon® non-metallic conduits for a complete, corrosion-resistant system.

To be used in accordance with conduit spacing requirements per NEC® Section 352.30 and 12-1114 of the CEC.

- UV inhibited for use in direct sunlight

NEC and National Electrical Code are registered trademarks of the National Fire Protection Association, Inc.



### Conduit clamps

Cat. No.	Size in. (mm)	Std. Ctn.	Std. Wt. (lbs.)	Dimensions in. (mm)								
				A	B	C	D	E	F	G	H	J
E977DC	1/2	100	1.2	0.892	1.71	2.16	.50	.14	.42	.866	1.04	.260
	(16)			(22.6)	(43.4)	(54.8)	(12.7)	(3.5)	(10.6)	(21.9)	(26.4)	(6.6)
E977EC	3/4	100	1.4	1.102	1.97	2.40	.50	.14	0.525	1.076	1.255	0.26
	(21)			(27.9)	(50.0)	(60.9)	(12.7)	(3.5)	(13.3)	(27.3)	(31.8)	(6.6)
E977FC	1	100	2	1.39	2.25	2.81	.594	.14	0.658	1.342	1.574	0.26
	(27)			(35.3)	(57.1)	(71.3)	(15.0)	(3.5)	(16.7)	(34.0)	(39.9)	(6.6)
E977GC	1 1/4	50	5	1.714	2.68	3.28	0.64	.15	0.83	1.687	1.89	.32
	(35)			(43.5)	(68.0)	(83.3)	(16.2)	(3.8)	(21.0)	(42.8)	(48.0)	(8.1)
E977HC	1 1/2	50	6	1.92	2.82	3.44	.70	0.15	0.97	1.93	2.12	.312
	(41)			(48.7)	(71.6)	(87.3)	(17.7)	(3.8)	(24.6)	(49)	(53.8)	(7.9)
E977JC	2	25	4.5	2.54	3.54	4.18	.76	.16	1.05	2.29	2.49	.315
	(53)			(64.5)	(89.9)	(106.1)	(19.3)	(4.0)	(26.6)	(58.1)	(63.2)	(8)
E977KC-CAR	2 1/2	25	1.4	2.86	4.50	5.46	1.00	0.20	1.43	2.86	3.12	.36
	(63)			(72.6)	(114.3)	(138.7)	(25.4)	(5.08)	(36.3)	(72.6)	(79.2)	(9.14)
E977LC-CAR	3	20	1.4	3.47	5.00	6.00	1.00	.20	1.74	3.48	3.70	.36
	(78)			(88.2)	(127.0)	(152.4)	(25.4)	(5.08)	(44.3)	(88.4)	(94.0)	(9.14)
E977NC-CAR	4	15	12.2	4.366	6.15	7.20	1.00	.20	2.32	4.50	4.70	.36
	(103)			(110.9)	(156.2)	(182.9)	(25.4)	(5.08)	(58.8)	(114.3)	(119.4)	(9.14)

**Note:** Some clamp applications require two screws, two nuts and two washers.