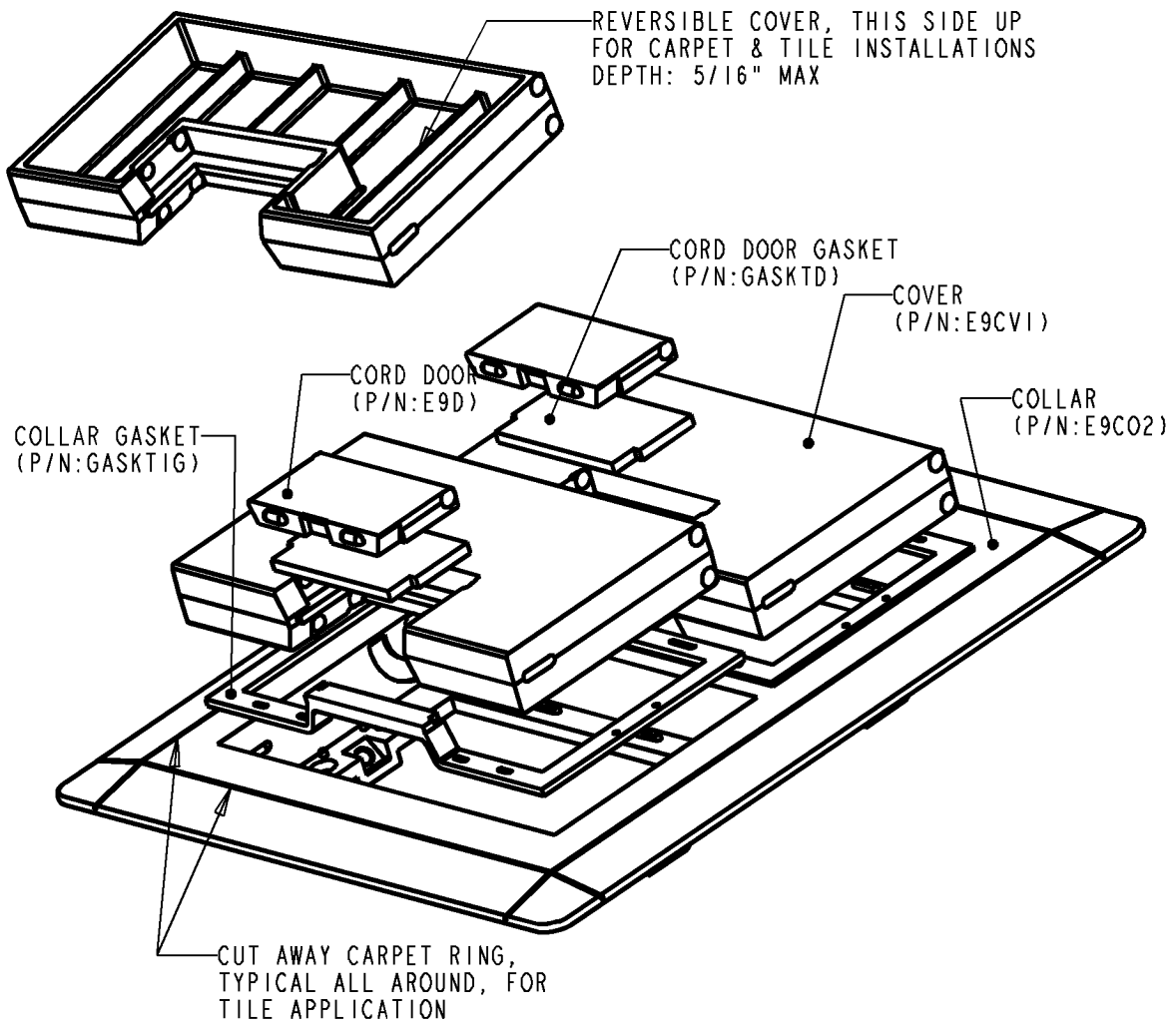



# Carlton®



**NOTES:**

1. DIMENSIONS ARE IN INCHES AND (MILLIMETERS)  
 COVER - 5.2 X 2.9 X .73, (132 X 74 X 18); CORD DOOR - 2.1 X 1.1 X .25,  
 (53 X 28 X 6), COLLAR AND CARPET RING - 7.9 X 8.9 X .95, (200 X 226 X 24);  
 COLLAR WITH CARPET RING REMOVED - 6.4 X 7.4 X .95, (163 X 188 X 24)
2. COLORS AVAILABLE---BROWN, CAMEL AND SLATE.
3. SCREW PACK (P/N KE976SP) INCLUDED IN PACKAGE BUT NOT SHOWN.
4. U.S. PATENT 5,866,845

PART NO.	COLOR
E9762B	BROWN
E9762C	CAMEL
E9762S	SLATE

<b>GENERAL NOTES</b>		 www.tnb.com			
1. ALL DIMENSIONS ARE FOR REFERENCE ONLY. 2. DIMENSIONS IN BRACKETS [ ] ARE IN METRIC UNITS.					
<b>REVISIONS</b>		DESCRIPTION: <b>COLLAR ASSY. RECT. FLOOR BOX 2 GANG</b>			
*** SEE ERN ( **** ) FOR APPROVAL SIGNATURES & RELEASE DATE. PROJECT NO: ****		ORIGINAL PROJECT NO / ( ERN NO ) / ( )	SHEET NO: 1 OF 1	REV. NO: E	DRAWING NO: <b>WSD-AC02825</b>