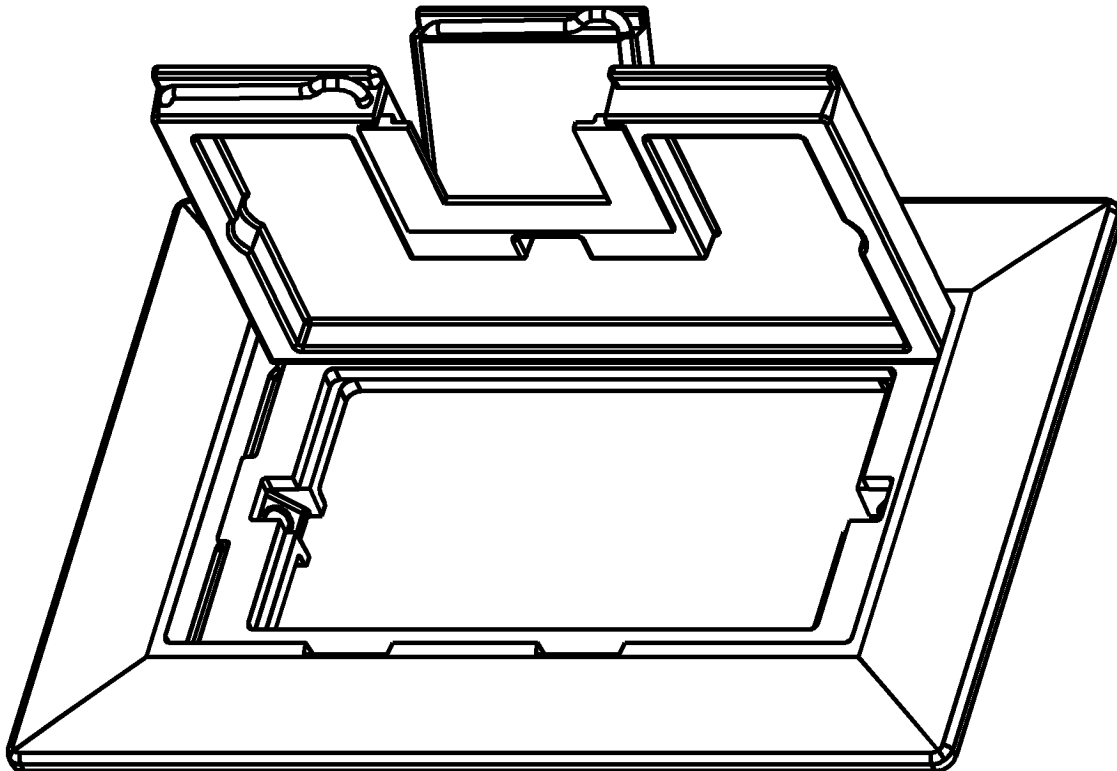
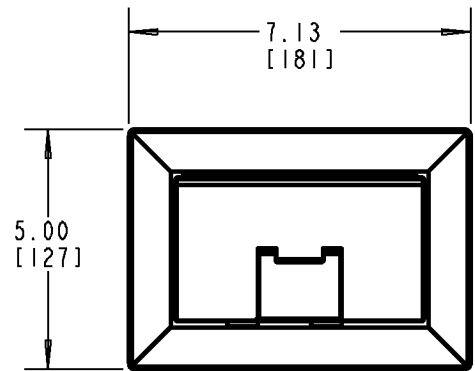


Carlton®

FLOOR BOX COVER

PART NO.	DESCRIPTION
E9761BR	SOLID BRASS W/BRUSH FINISH
E9761SS	SOLID STAINLESS STEEL W/BRUSH FINISH



NOTES:

1. C-UL-US LISTED
2. SCREW PACK INCLUDED (NOT SHOWN).
3. U.S. PATENT 6,265,662
4. GROUND WIRE INCLUDED (NOT SHOWN).

GENERAL NOTES

1. ALL DIMENSIONS ARE FOR REFERENCE ONLY.
2. DIMENSIONS IN BRACKETS [] ARE IN METRIC UNITS.

REVISIONS

*** SEE ERN (****) FOR APPROVAL SIGNATURES & RELEASE DATE.
PROJECT NO: ****

Thomas & Betts
www.tnb.com

DESCRIPTION: **BRASS RECTANGULAR FLOOR PLATE
SINGLE GANG**

ORIGINAL PROJECT NO / (ERN NO)
/ ()

SHEET NO:
1 OF 1

REV. NO:
C

DRAWING NO:
WSD-AC03611