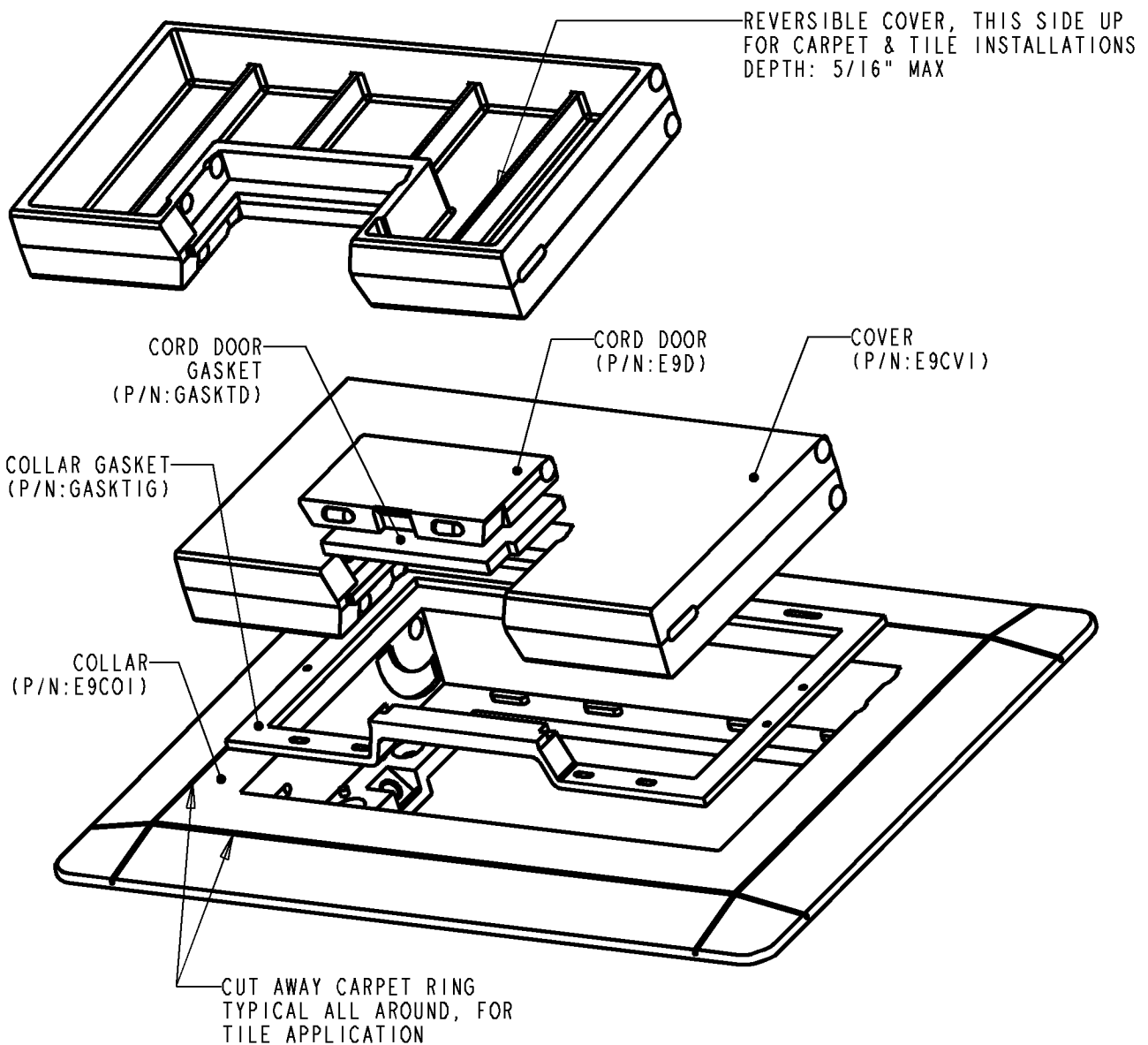


Carlton®



NOTES:

1. DIMENSIONS ARE IN INCHES AND (MILLIMETERS)
COVER - 5.2 X 2.9 X .73, (132 X 74 X 18); CORD DOOR - 2.1 X 1.1 X .25,
(53 X 28 X 6); COLLAR AND CARPET RING - 7.9 X 5.7 X .95, (200 X 145 X 24);
COLLAR WITH CARPET RING REMOVED - 6.4 X 4.2 X .95, (163 X 107 X 24)
2. COLORS AVAILABLE---BROWN, CAMEL AND SLATE.
3. SCREW PACK (P/N KE976SP) INCLUDED IN PACKAGE BUT NOT SHOWN.
4. U.S. PATENT 5,866,845

PART NO.	COLOR
E9761B	BROWN
E9761C	CAMEL
E9761S	SLATE

GENERAL NOTES

1. ALL DIMENSIONS ARE FOR REFERENCE ONLY.
2. DIMENSIONS IN BRACKETS [] ARE IN METRIC UNITS.

REVISIONS

*** SEE ERN (****) FOR APPROVAL SIGNATURES & RELEASE DATE.
PROJECT NO: ****

Thomas&Betts
www.tnb.com

DESCRIPTION: **COLLAR ASSY, RECT. FLOOR BOX ONE GANG**

ORIGINAL PROJECT NO / (ERN NO) / ()	SHEET NO: 1 OF 1	REV. NO: D	DRAWING NO: WSD-AC02824
---	---------------------	---------------	----------------------------