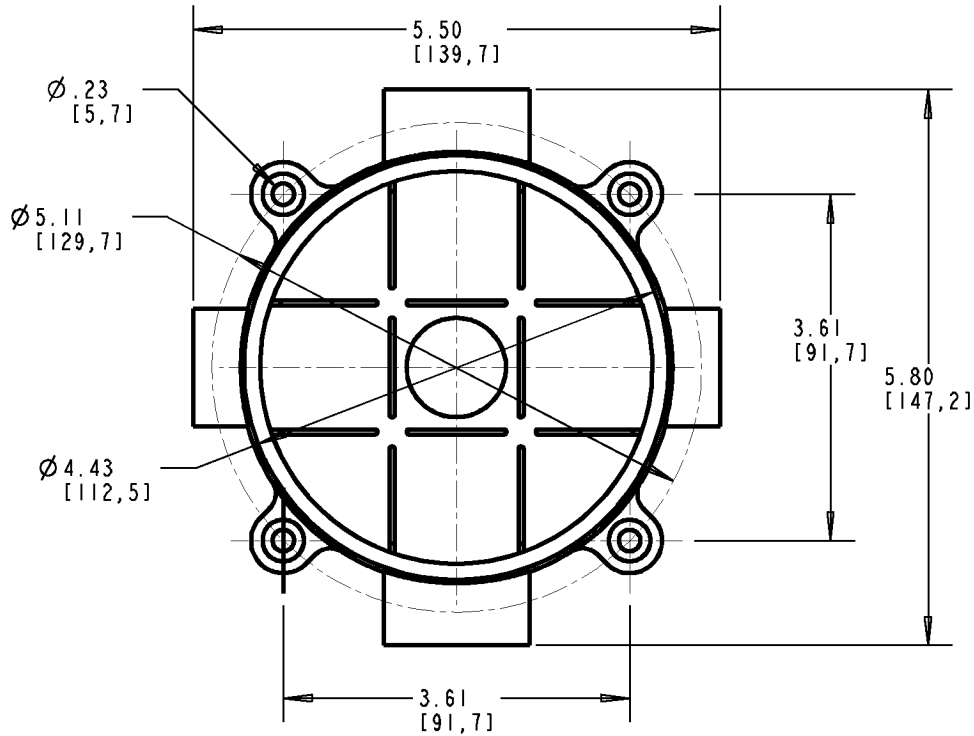
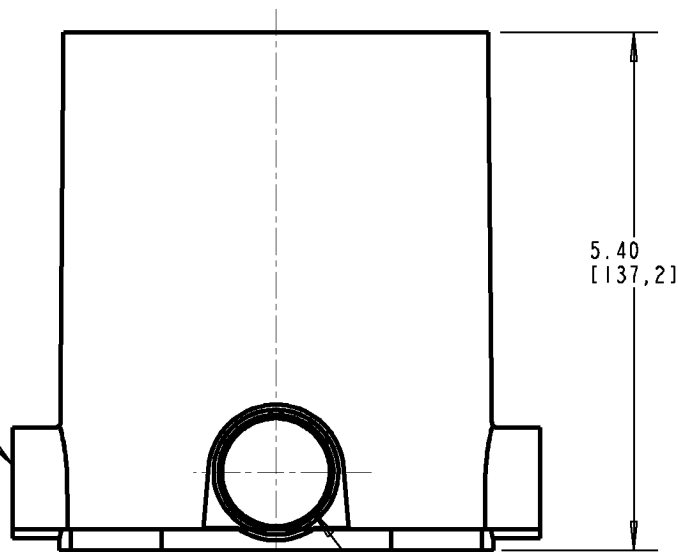


# Carlton®



2 PORTS FOR  
3/4" DIA.  
CONDUIT 180°  
APART



P/N  
E971FB  
E971FB-CAR  
E971FBCL

**INCLUDES:**

- 1 - FLOOR BOX BASE
- 1 - DISPOSABLE POURING CAP
- 2 - 1"X3/4" REDUCER PLUGS
- 3 - 3/4"X1/2" REDUCER PLUGS

MAXIMUM INTERNAL VOLUME 90 CU. IN.  
15.5 CU. IN. PER INCH OF DEPTH  
MINIMUM CONCRETE DEPTH - 3"

**GENERAL NOTES**

- 1. ALL DIMENSIONS ARE FOR REFERENCE ONLY.
- 2. DIMENSIONS IN BRACKETS [ ] ARE IN METRIC UNITS.

**REVISIONS**

\*\*\* SEE ERN ( \*\*\*\* )  
FOR APPROVAL SIGNATURES  
& RELEASE DATE.  
PROJECT NO: \*\*\*\*

**Thomas & Betts**  
www.tnb.com

DESCRIPTION:

**ROUND FLOOR BOX**

ORIGINAL PROJECT NO / ( ERN NO )

/ ( )

SHEET NO:

1 OF 1

REV. NO:

E

DRAWING NO:

**WSD-AC02471**