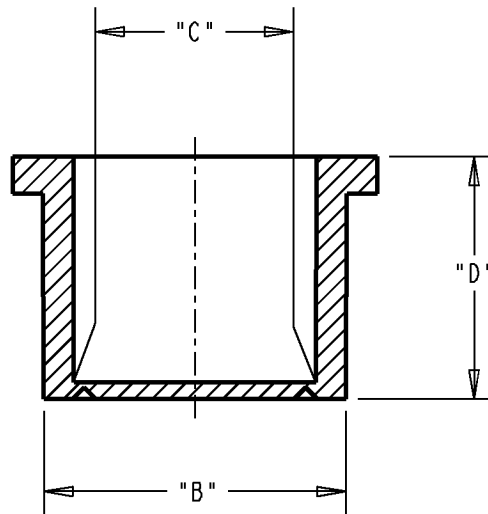
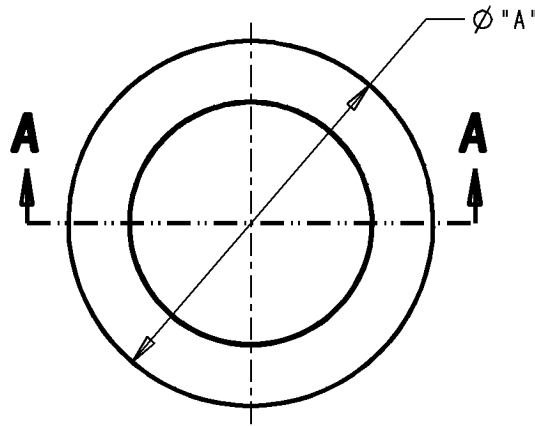


Carlton®



SECTION A-A

PART NO.	SIZE	"A"	"B"	"C"	"D"
E971C	3/4"X1/2" [19.05x12.7]	1.267 [32.18]	1.050 [26.67]	.840 [21.34]	.842 [21.39]
E971D	1"X3/4" [25.4x19.05]	1.505 [38.22]	1.311 [33.29]	1.043 [26.49]	.955 [24.25]

GENERAL NOTES

- ALL DIMENSIONS ARE FOR REFERENCE ONLY.
- DIMENSIONS IN BRACKETS [] ARE IN METRIC UNITS.

REVISIONS

*** SEE ERN (****) FOR APPROVAL SIGNATURES & RELEASE DATE.
PROJECT NO: ****

Thomas & Betts
www.tnb.com

DESCRIPTION:

REDUCER PLUG

ORIGINAL PROJECT NO / (ERN NO)

/ ()

SHEET NO:

1 OF 1

REV. NO:

B

DRAWING NO:

WSD-AC03061