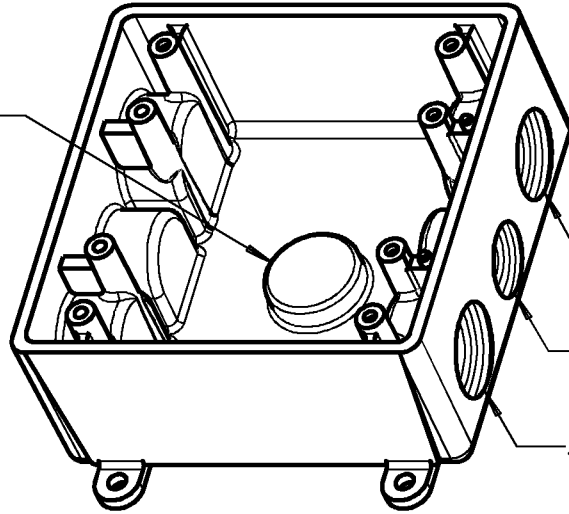


# Carlton®

1/2" NPT  
(UNDERSIDE)

**NOTE:**

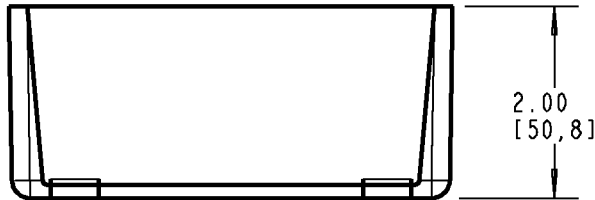
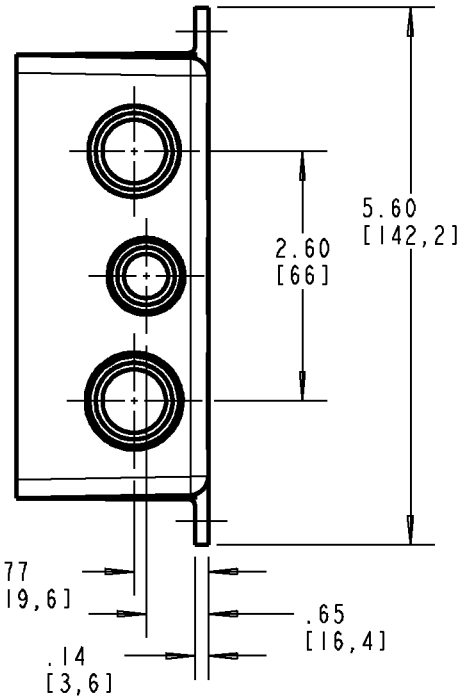
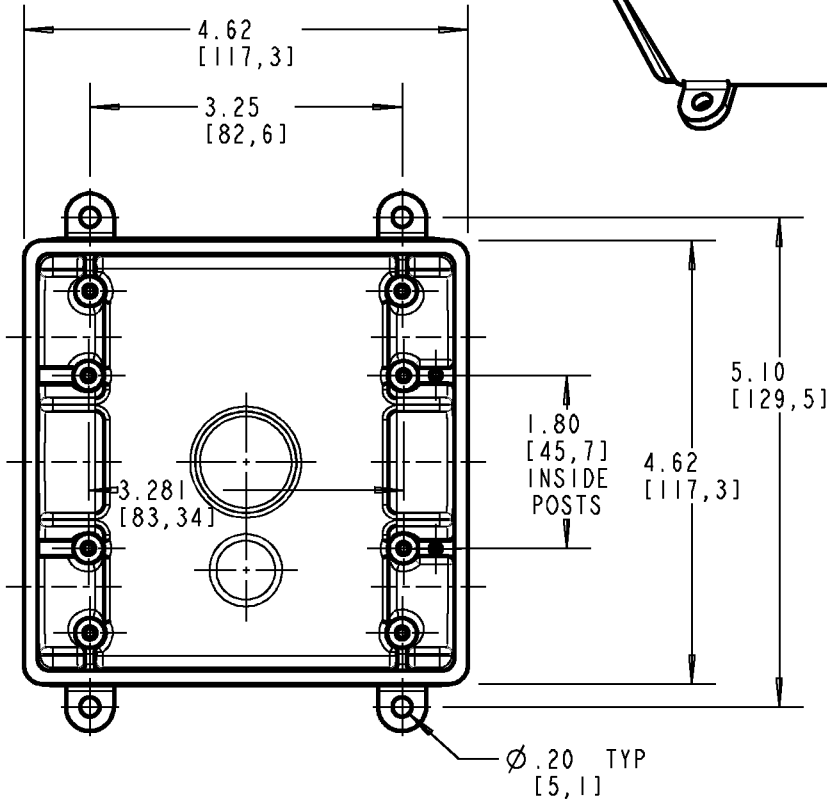
T-BOX USES 6-32 x 3/4" SCREWS



3/4" NPT  
(TYP)

1/2" NPT  
(TYP)

3/4" NPT  
(TYP)



**PART NUMBERS:**

E382DE  
CE382DE (CANADIAN)  
E382DEL

E382DEW  
CE382DEW (CANADIAN)  
E382DEWL

**GENERAL NOTES**

1. ALL DIMENSIONS ARE FOR REFERENCE ONLY.
2. DIMENSIONS IN BRACKETS [ ] ARE IN METRIC UNITS.

www.tnb.com

**Thomas & Betts**

A Member of the ABB Group

DESCRIPTION:

**2-GANG T-BOX**

**REVISIONS**

A SEE ERN 2015242 FOR APPROVAL SIGNATURES & RELEASE DATE.  
PROJECT NO: 5AM000007

ORIGINAL PROJECT NO / ( ERN NO )

5AM03029 / ( 2010086 )

SHEET NO:

1 OF 1

REV. NO:

A

DRAWING NO:

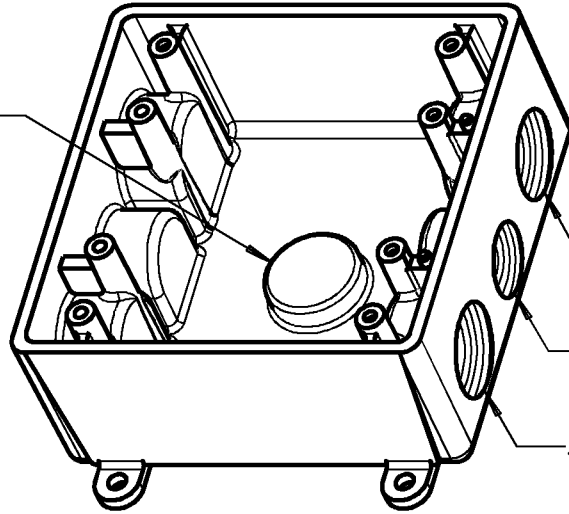
**WSD-AC05216**

# Carlton®

1/2" NPT  
(UNDERSIDE)

**NOTE:**

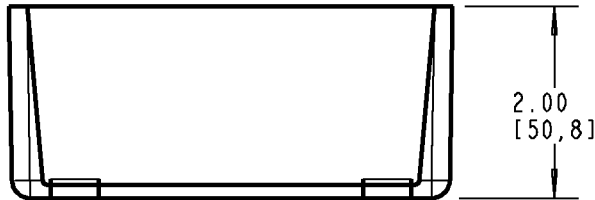
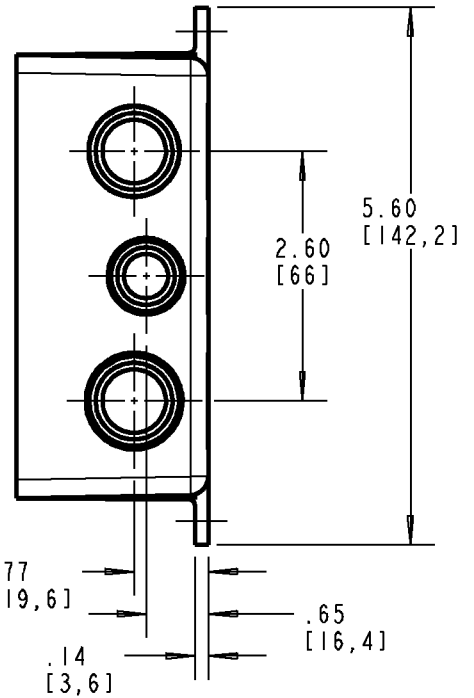
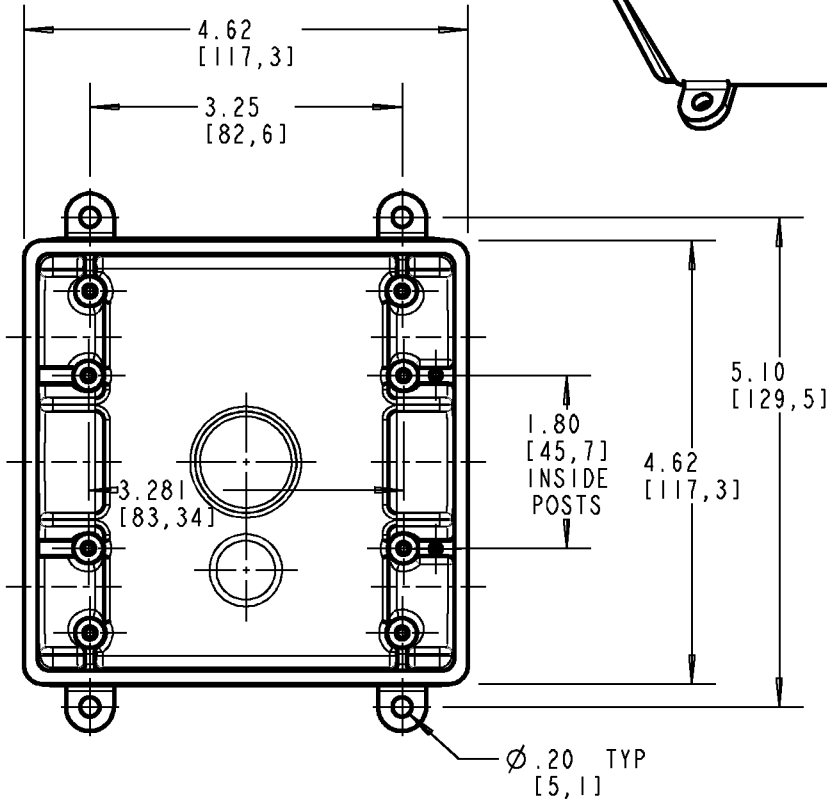
T-BOX USES 6-32 x 3/4" SCREWS



3/4" NPT  
(TYP)

1/2" NPT  
(TYP)

3/4" NPT  
(TYP)



**PART NUMBERS:**

E382DE  
CE382DE (CANADIAN)  
E382DEL

E382DEW  
CE382DEW (CANADIAN)  
E382DEWL

**GENERAL NOTES**

1. ALL DIMENSIONS ARE FOR REFERENCE ONLY.
2. DIMENSIONS IN BRACKETS [ ] ARE IN METRIC UNITS.

www.tnb.com

**Thomas & Betts**

A Member of the ABB Group

DESCRIPTION:

**2-GANG T-BOX**

**REVISIONS**

A SEE ERN 2015242 FOR APPROVAL SIGNATURES & RELEASE DATE.  
PROJECT NO: 5AM000007

ORIGINAL PROJECT NO / ( ERN NO )

5AM03029 / ( 2010086 )

SHEET NO:

1 OF 1

REV. NO:

A

DRAWING NO:

WSD-AC05216