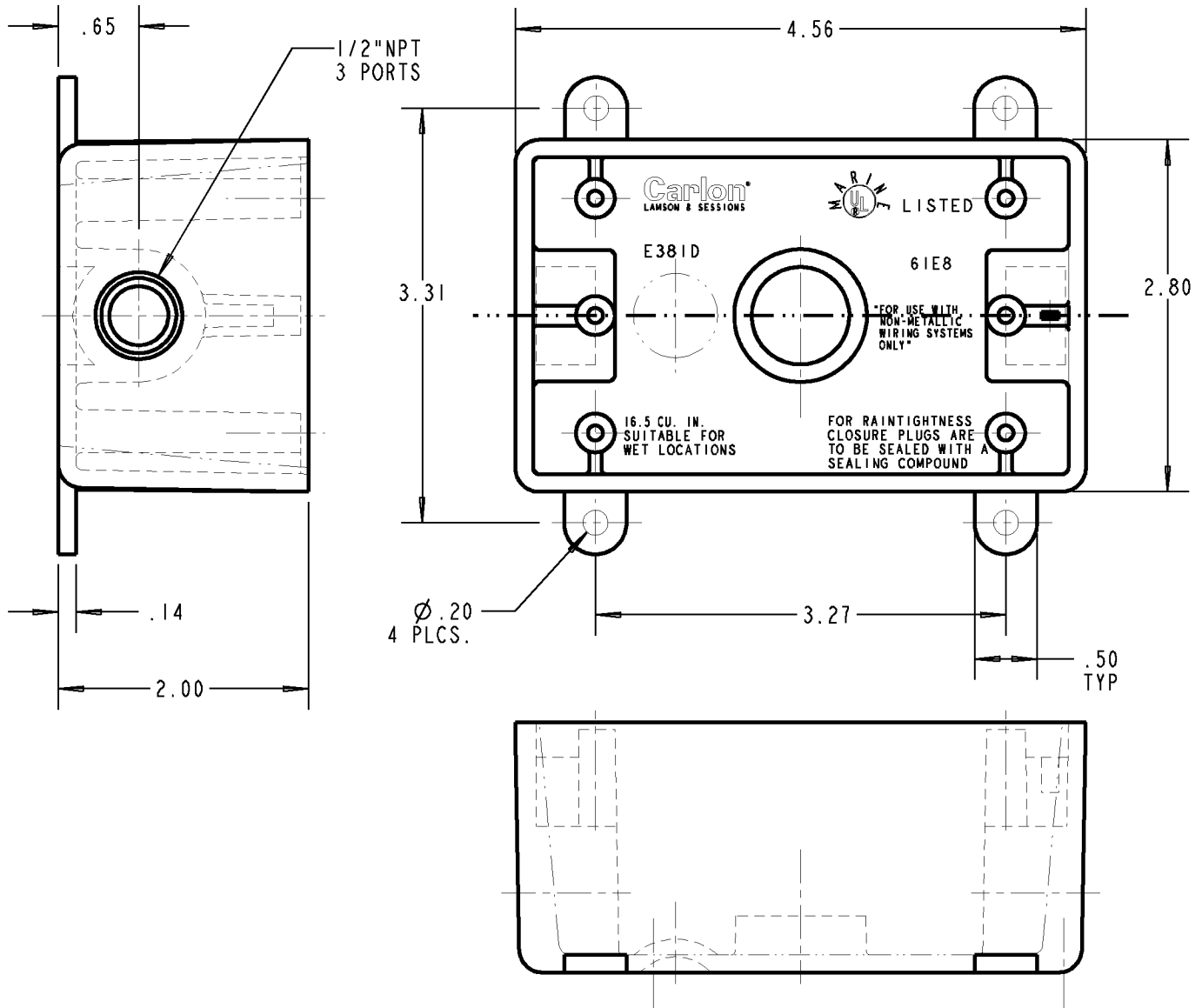


# Carlton®



P/N  
E381D-CAR  
E381DR  
E381DRL  
E381DW-CAR  
E381DWR  
E381DWRL

## GENERAL NOTES

1. ALL DIMENSIONS ARE FOR REFERENCE ONLY.
2. DIMENSIONS IN BRACKETS [ ] ARE IN METRIC UNITS.

## REVISIONS

\*\*\* SEE ERN ( \*\*\*\* )  
FOR APPROVAL SIGNATURES  
& RELEASE DATE.  
PROJECT NO: \*\*\*\*

**Thomas & Betts**  
www.tnb.com

DESCRIPTION:

**SINGLE GANG "T" BOX  
W/1/2" PORTS**

ORIGINAL PROJECT NO / ( ERN NO )

/ ( )

SHEET NO:

1 OF 1

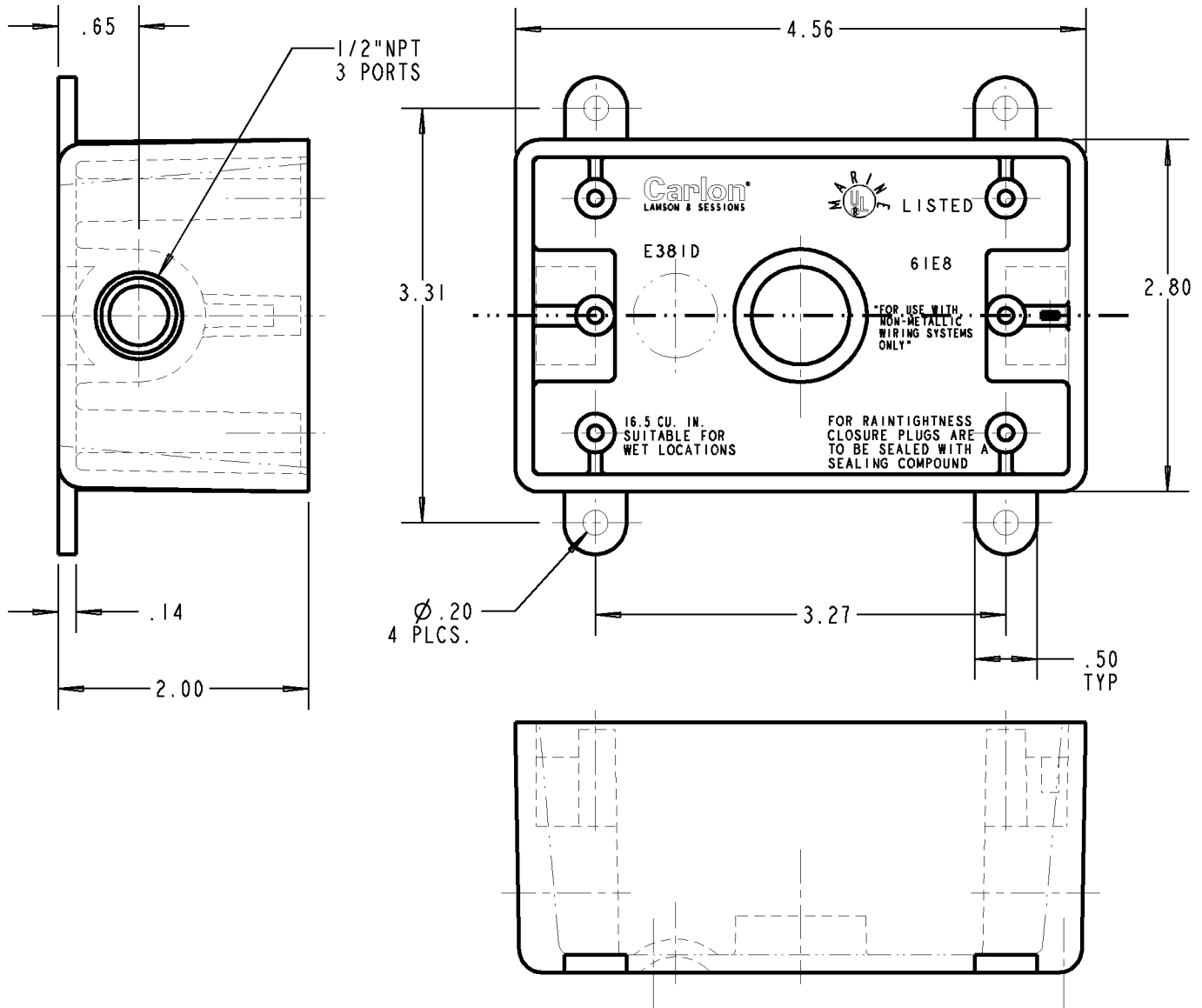
REV. NO:

A

DRAWING NO:

**WSD-AC04028**

# Carlton®



P/N  
 E381D-CAR  
 E381DR  
 E381DRL  
 E381DW-CAR  
 E381DWR  
 E381DWRL

### GENERAL NOTES

1. ALL DIMENSIONS ARE FOR REFERENCE ONLY.
2. DIMENSIONS IN BRACKETS [ ] ARE IN METRIC UNITS.

### REVISIONS

\*\*\* SEE ERN ( \*\*\*\* ) FOR APPROVAL SIGNATURES & RELEASE DATE.  
 PROJECT NO: \*\*\*\*

**Thomas & Betts**  
 www.tnb.com

DESCRIPTION:

**SINGLE GANG "T" BOX  
 W/1/2" PORTS**

ORIGINAL PROJECT NO / ( ERN NO )

/ ( )

SHEET NO:

1 OF 1

REV. NO:

A

DRAWING NO:

**WSD-AC04028**