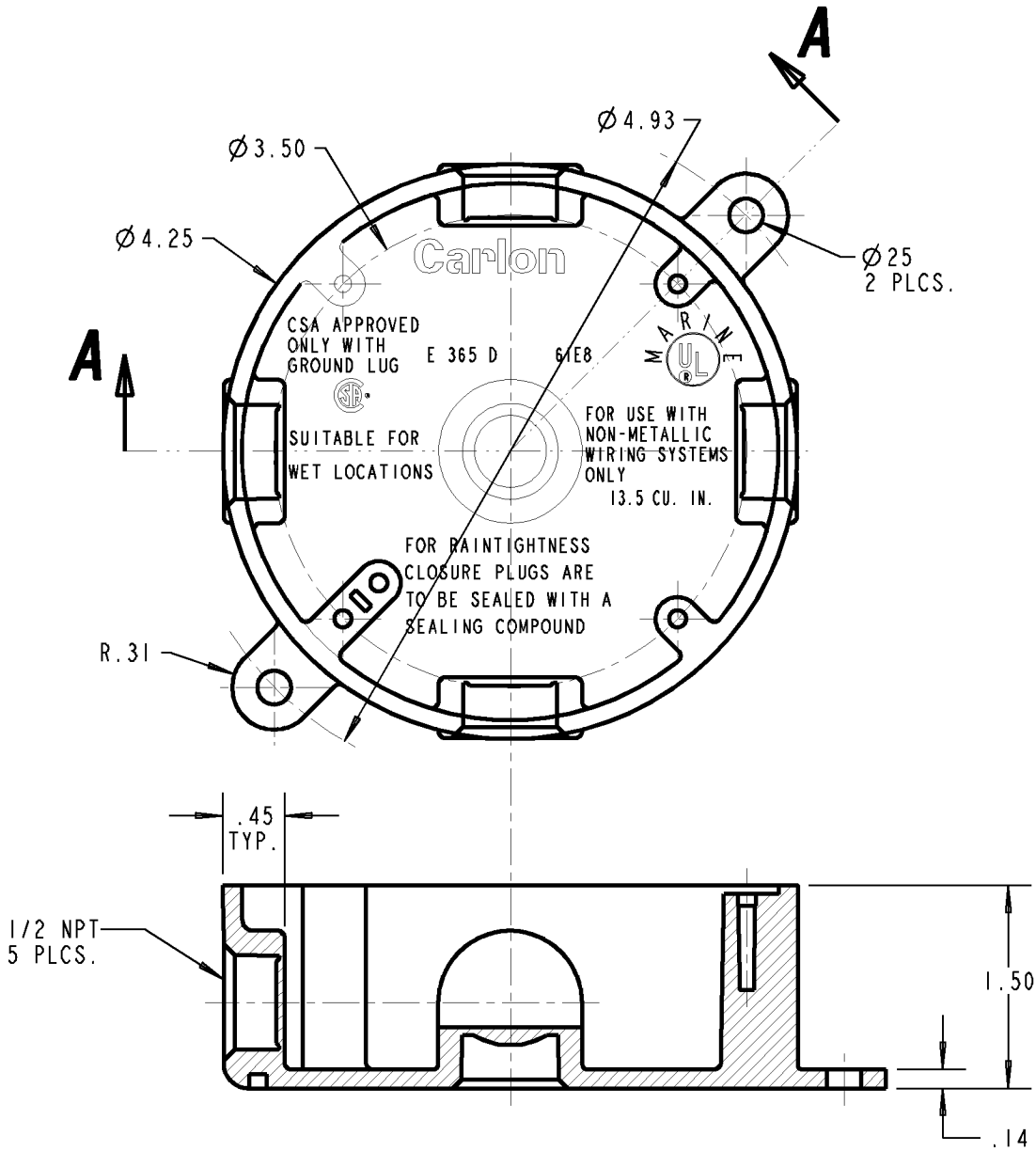


# Carlton®



PART NO.	COLOR	MATERIAL	PART NO.	COLOR	MATERIAL
E365D-CAR E365DR E365DRL	GRAY	PVC	E365DW-CAR E365DWR E365DWRL	WHITE	PVC
CE365D-CTN CE365DR CE365DRCL	GRAY	PVC	CE365DW-CTN CE365DWR CE365DWRL	WHITE	PVC

### GENERAL NOTES

- ALL DIMENSIONS ARE FOR REFERENCE ONLY.
- DIMENSIONS IN BRACKETS [ ] ARE IN METRIC UNITS.

### REVISIONS

\*\*\* SEE ERN ( \*\*\*\* ) FOR APPROVAL SIGNATURES & RELEASE DATE.  
PROJECT NO: \*\*\*\*

**Thomas & Betts**  
www.tnb.com

DESCRIPTION:

**BELL BOX ROUND  
1/2" NPT PORTS**

ORIGINAL PROJECT NO / ( ERN NO )

/ ( )

SHEET NO:

1 OF 1

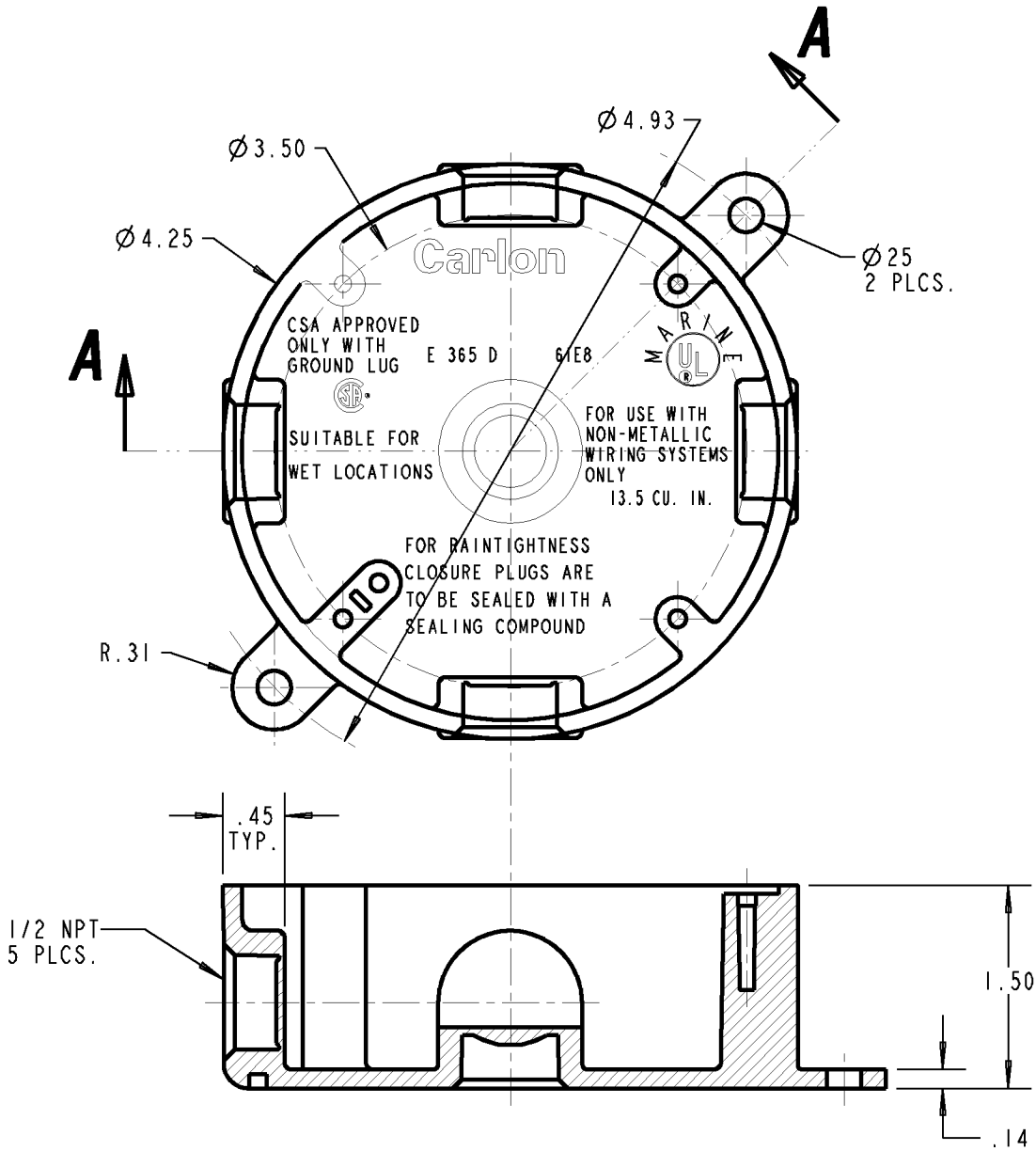
REV. NO:

A

DRAWING NO:

**WSD-AC04616**

# Carlton®



PART NO.	COLOR	MATERIAL	PART NO.	COLOR	MATERIAL
E365D-CAR E365DR E365DRL	GRAY	PVC	E365DW-CAR E365DWR E365DWRL	WHITE	PVC
CE365D-CTN CE365DR CE365DRCL	GRAY	PVC	CE365DW-CTN CE365DWR CE365DWRL	WHITE	PVC

## GENERAL NOTES

- ALL DIMENSIONS ARE FOR REFERENCE ONLY.
- DIMENSIONS IN BRACKETS [ ] ARE IN METRIC UNITS.

## REVISIONS

\*\*\* SEE ERN ( \*\*\*\* )  
FOR APPROVAL SIGNATURES  
& RELEASE DATE.  
PROJECT NO: \*\*\*\*

**Thomas & Betts**  
www.tnb.com

DESCRIPTION:

**BELL BOX ROUND  
1/2" NPT PORTS**

ORIGINAL PROJECT NO / ( ERN NO )

/ ( )

SHEET NO:

1 OF 1

REV. NO:

A

DRAWING NO:

**WSD-AC04616**