

Diva Fan-Speed Controls

The designer fan-speed control that matches your paddle switches.

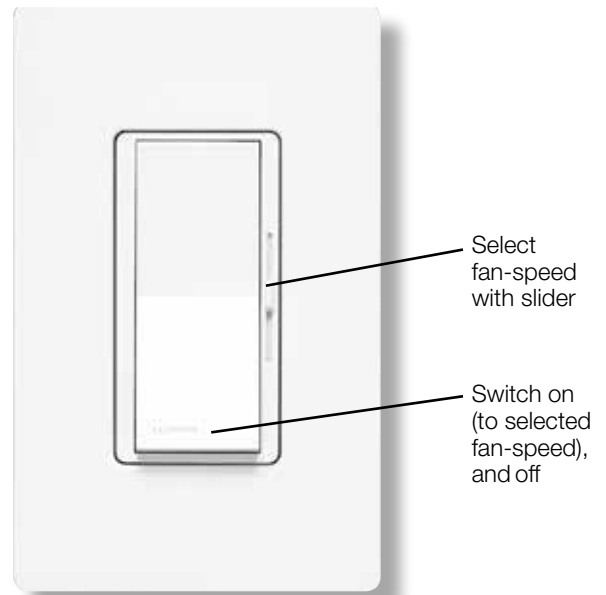
Features

- On/off rocker switch with a captive slider
- Quiet 3-speed control of ceiling fan
- Requires separate wires at the wallbox for the fan and the light. No neutral is required at the wallbox
- cULus Listed, NOM certified
- No nightlight
- 100% factory-tested
- Coordinating Claro and Stainless Steel wallplates are available separately

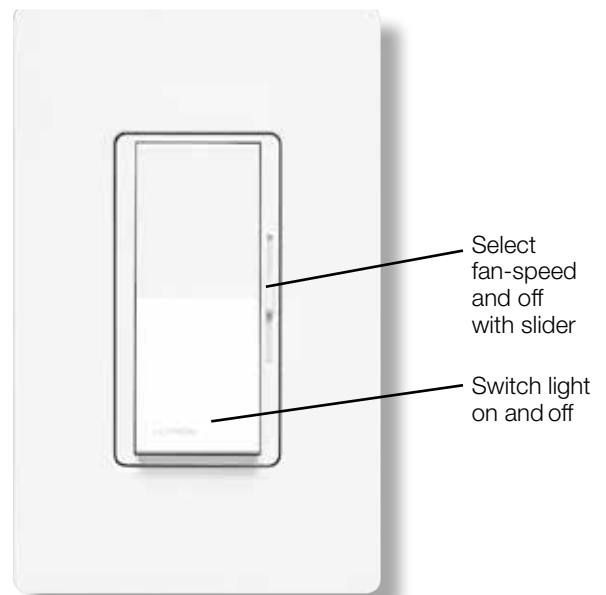
Model Numbers

| Model Number | Description | Maximum Capacity | |
|----------------------------------------------------------------------|-----------------------------------------------------------------------------------------------------------------------|------------------------------------------------|-------|
| DVFSQ-F-XX ^{1,2,3,4} DVFSQ-F-XX-CSA ^{1,2,3,4,5} | Gloss finishes Preset fan-speed control Single-pole/3-way, 3 speed | 1.5 A | |
| DVSCFSQ-F-YY ^{1,3,4} | Satin finishes Preset fan-speed control Single-pole/3-way, 3 speed | 1.5 A | |
| DVWFSQ-FH-XX ^{1,3,4} DVWFSQ-FH-XX-CSA ^{1,3,4,5} | Gloss finishes Preset fan-speed control Single-pole/3-way, 3 speed Clamshell packaging Wallplate included | 1.5 A | |
| DVFSQ-LF-XX ^{1,2,4} DVFSQ-LF-XX-C ^{1,2,4,5} | Gloss finishes Light switch/ Fan-speed control Single-pole light and fan | Single-pole switch Incandescent/ Halogen | 2 A |
| | | CFL/LED | 1 A |
| | | Fan (3-speed with Off) | 1.5 A |
| DVSCFSQ-LF-YY ^{1,4} | Satin finishes Light switch/ Fan-speed control Single-pole light and fan | Single-pole switch Incandescent/ Halogen | 2 A |
| | | CFL/LED | 1 A |
| | | Fan (3-speed with Off) | 1.5 A |
| DVFSQ-F-HO-XX ^{1,3,4} | For Hunter Original Series fans Gloss finishes Preset fan-speed control Single-pole/3-way, 3 speed | 2 A | |

¹ "XX" or "YY" in the model number represents color/finish code; see **Colors and Finishes** section.
² For clamshell packaging, add "H" after "F" or "LF". Call Lutron Customer Assistance for color availability.
³ For 3-way and 4-way switching, use Claro switches or other mechanical switches.
⁴ No derating required.
⁵ Canadian packaged product.



DVFSQ-F



DVFSQ-LF

| | |
|--------------------|-----------------------|
| Job Name: | Model Numbers: |
| Job Number: | |

Specifications

Regulatory Approvals

- DVFSQ-LF: cULus Listed
- DVFSQ-F: UL/CSA
- NOM certified

Power and Ratings

- 120 V~ 60 Hz

Environment

- For indoor use only.
- Operating temperatures 32 °F to 104 °F (0 °C to 40 °C).

Performance

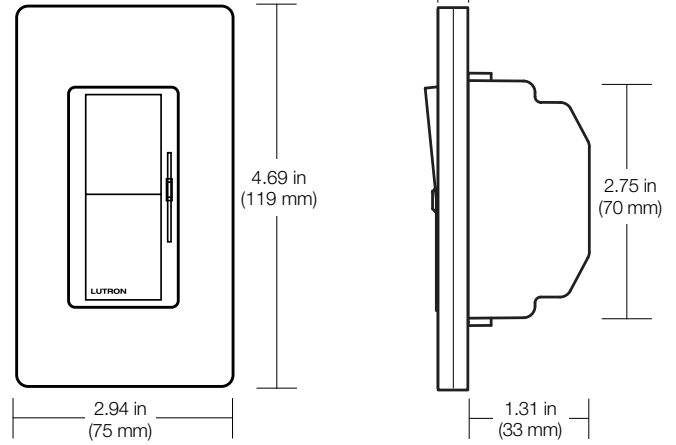
- Power-failure memory
- Captive linear slider
- Electrostatic discharge tested
- Precise color matching with Claro wallplates
- Mechanical air-gap switch to disconnect load power

Warranty

- 1 Year Limited Warranty

For additional Warranty information, please visit www.lutron.com/TechnicalDocumentLibrary/369-119_Wallbox_Warranty.pdf

Dimensions



Note: Requires a U.S. wallbox 2½ in (64 mm) deep minimum.

| | |
|-------------|----------------|
| Job Name: | Model Numbers: |
| Job Number: | |

Colors and Finishes

Gloss Finishes

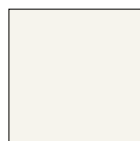
Satin Finishes



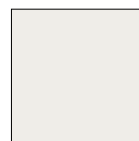
White
WH



Ivory
IV



Brilliant White
BW



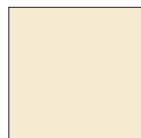
Glacier White
GL



Snow
SW



Architectural
White
RW



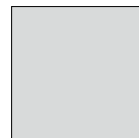
Almond
AL



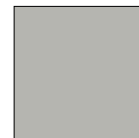
Light Almond
LA



Lunar Gray
LG



Mist
MI



Pebble
PB



Cobblestone
CS



Gray
GR



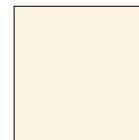
Brown
BR



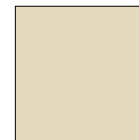
Slate
SL



Midnight
MN



Biscuit
BI



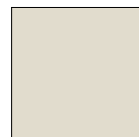
Sand
SD



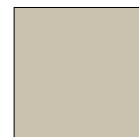
Black
BL



Taupe
TP



Pumice
PM



Clay
CY



Sage
SA

- Due to printing limitations, colors and finishes shown cannot be guaranteed to perfectly match actual product colors.
- Color chip keychains are available for more precise color matching:
Gloss Finishes: DG-CK-1
Satin Finishes: SF-CK-1
- For coordinating wallplates and accessories, visit lutron.com/claro



Espresso
EP



Truffle
TF



Deep Sea
DE



Signal Red
SR

| | |
|--------------------|-----------------------|
| Job Name: | Model Numbers: |
| Job Number: | |

Colors and Finishes *(continued)*

Satin Colors (while supplies last)



Hot
HT



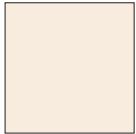
Merlot
MR



Plum
PL



Palladium
PD



Eggshell
ES



Sienna
SI



Terracotta
TC



Greenbriar
GB



Bluestone
BG



Mocha Stone
MS



Goldstone
GS



Desert Stone
DS



Stone
ST



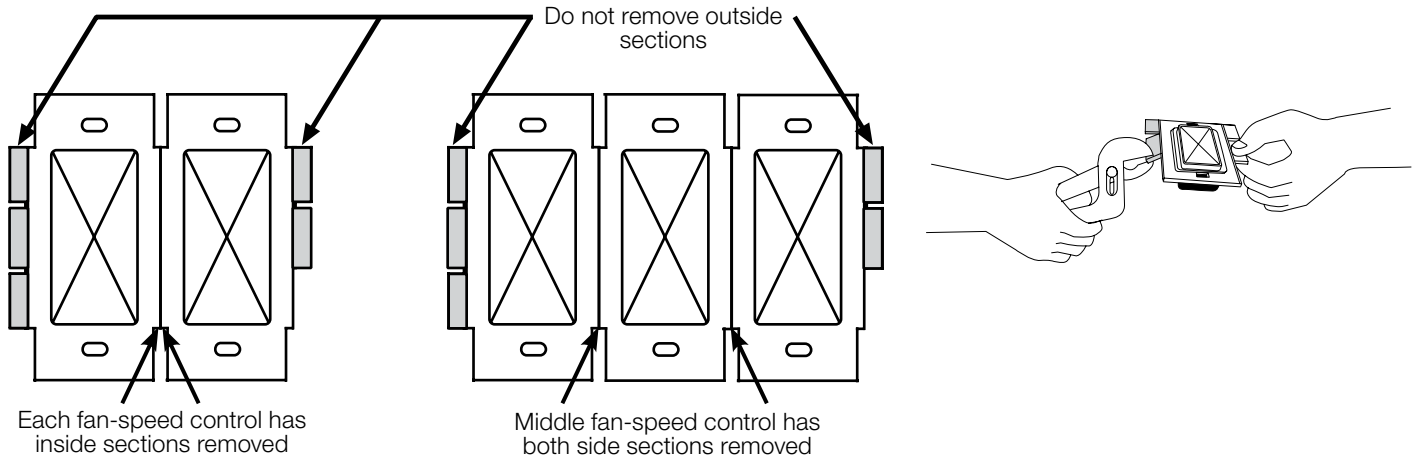
Limestone
LS

- Due to printing limitations, colors and finishes shown cannot be guaranteed to perfectly match actual product colors.
- Color chip keychains are available for more precise color matching:
Satin Colors: SC-CK-1 (while supplies last)

| | |
|------------------------------------------------------|------------------------------|
| <p>Job Name:</p> <p>Job Number:</p> | <p>Model Numbers:</p> |
|------------------------------------------------------|------------------------------|

Ganging *

When installing more than one fan-speed control in the same wallbox, it may be necessary to remove some side sections prior to wiring (see diagram).

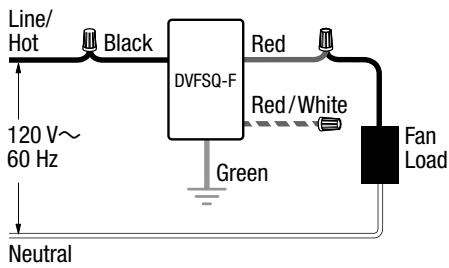


* No derating required.

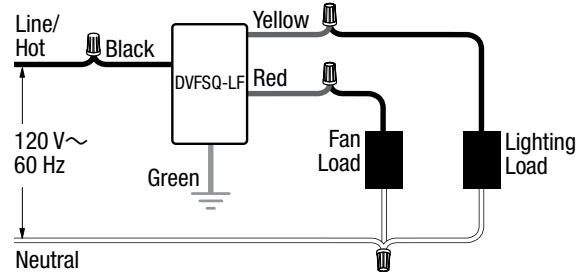
Wiring Diagrams

Single-Pole Wiring

DVFSQ-F

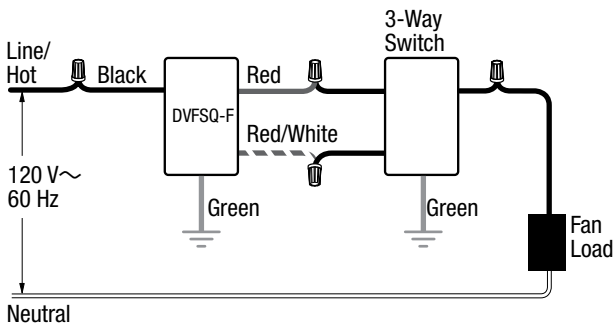


DVFSQ-LF

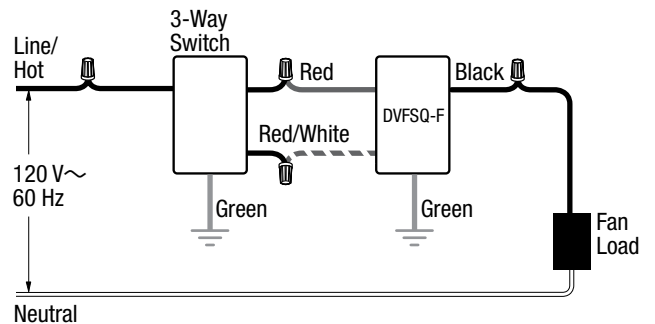


3-Way Wiring

DVFSQ-F - Line-Side



DVFSQ-F - Load-Side



The Lutron logo, Lutron, Claro, Satin Colors, and Diva are trademarks or registered trademarks of Lutron Electronics Co., Inc. in the US and/or other countries. All other product names, logos, and brands are property of their respective owners.

| | |
|-------------|----------------|
| Job Name: | Model Numbers: |
| Job Number: | |