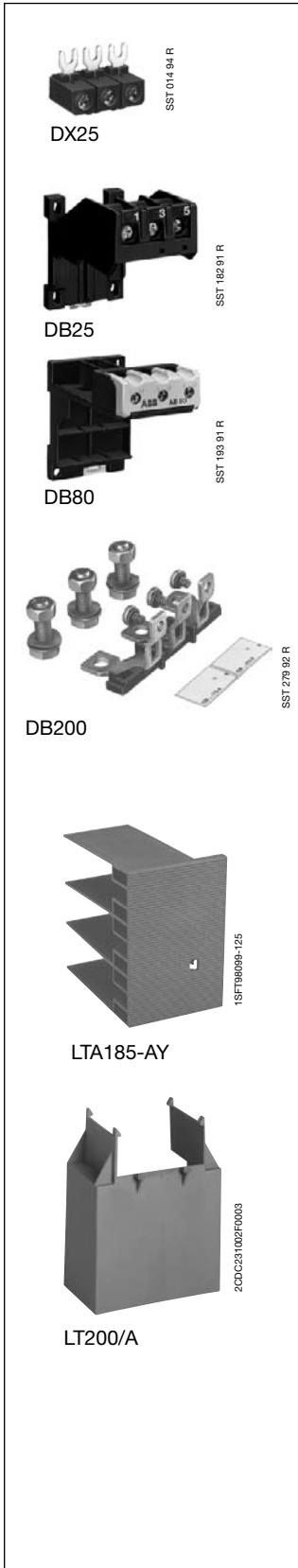


Thermal overload relays

Accessories

Ordering details



Terminal block -8 AWG

For overloads	Catalog number	List price
TA25DU25 and DB25/25A	DX25	

Mounting kits for single set-ups

For overloads	Mounting	Catalog number	List price
TA25DU≤25	snapping onto	DB25/25A	
TA25DU32		DB25/32A	
TA42DU, TA75DU, TA80DU	35mm	DB80	
TA110DU, TA200DU	screw mounting	DB200*	

* No protective cover available for DB 200

Mounting kits for single set-ups

For contactors	Catalog number	List price
A145 ... 185	DT450/A185	
A210 ... 300	DT450/A300	

Terminal shroud for TA200

For contactors	Mounting	Catalog number	List price
A145, A185	Between A145/185 and TA200DU	LTA185-AY	
	Load Side TA200D	LT200/A	

Terminal lug kits

For overloads	Wire range	Catalog number	List price
T200DU	6 — 250MCM	EHTK210	
TA450DU185	4 — 400MCM	ATK300HK	
TA450DU310	4 — 500MCM	ATK300/2HK	