

Industrial grade L12-20 locking devices

| | |
|-----------------|--------------|
| Project Name: | Prepared By: |
| Project Number: | Date: |
| Catalog Number: | Type: |

Description

NEMA L12-20 20A, 3Ø 480V/AC, 3P-3W



L12-20R L12-20P



CWL1220P



CWL1220R



CWL1220FI

Design features for plug & connector

- Nylon construction
- EPDM gasket seals cord hole from dust and debris
- Back wire terminal clamps for easy secure wiring
- Individual wiring compartments with tapered channel for easy insertion of wires
- Clear cover over wiring compartments allows easy inspection of wiring terminations

Design features for receptacle

- Clearly marked rating, NEMA configuration and approval listings on receptacle face
- One piece brass contacts offer superior performance and minimum heat rise
- Back and side wiring terminal clamps for easy, secure wiring

Design features for flanged inlet & outlet

- All nylon construction
- Mounting holes interchangeable with competitive units
- Back wire terminal clamps for easy, secure wiring
- Individual wiring compartments with tapered channel for easy insertion of wires

Table 1. NEMA L12-20 Industrial Grade Locking Devices

| Catalog No. | Description | Amps | Volts | Color |
|------------------------------------|--------------------------------|------|-------|---------------|
| <input type="checkbox"/> CWL1220P | Safety grip plug, 3-phase | 20 | 480 | Black & white |
| <input type="checkbox"/> CWL1220C | Safety grip connector, 3-phase | 20 | 480 | Black & white |
| <input type="checkbox"/> CWL1220R | Single receptacle, 3-phase | 20 | 480 | Black |
| <input type="checkbox"/> CWL1220FO | Flanged outlet, 3-phase | 20 | 480 | White |
| <input type="checkbox"/> CWL1220FI | Flanged inlet, 3-phase | 20 | 480 | White |

Compliances, specifications and availability are subject to change without notice.



Powering Business Worldwide

| | |
|-----------------|--------------|
| Project Name: | Prepared By: |
| Project Number: | Date: |
| Catalog Number: | Type: |

Plug & Connector

NEMA L12-20 20A, 3Ø 480V/AC, 3P-3W

Table 2. Specifications

| Catalog No. | NEMA L12-20 Plug & Connector |
|-------------------------------------|--|
| NEMA Config | NEMA L12-20 |
| Wiring Type | Back wire |
| Environmental Specifications | Flammability: Meets UL94 requirements; V2 rated Temperature Rating: -40°C to 60°C (-40°F to 140°F) |
| Electrical Specifications | Dielectric Voltage: 3000V per UL498 Current Interrupting: Yes, at full-rated current Temperature Rise: Max. 30°C (86°F) after 50 cycles of overload at 150% of rated current (DC) |
| Mechanical Specifications | Terminal Accommodation: #18 - #8 AWG Voltage Ratings: Permanently marked on device |

Table 3. Materials

| Catalog No. | NEMA L12-20 Plug & Connector |
|---------------------------|---------------------------------------|
| NEMA Config | NEMA L12-20 |
| Outer Shell | Nylon |
| Interior Body | Nylon |
| Terminal Retainer | Polycarbonate |
| Blades | Brass |
| Line Contacts | Brass |
| Terminal Clamps | Steel |
| Terminal Screws | #10-32 brass, nickel plated (neutral) |
| Ground Screw | #10-32 brass |
| Assembly Screws | Steel, zinc plated |
| Gasket/Dust Shield | EPDM |
| Cord Clamp Screws | Steel, zinc plated |
| Cord Clamp | Nylon |

Product Dimensions

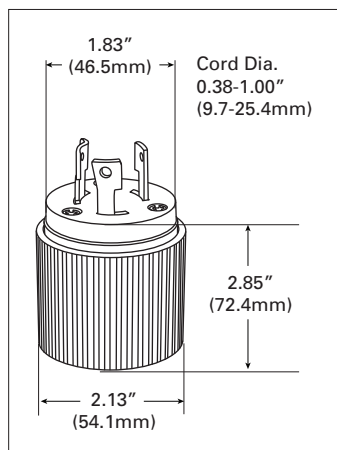


Figure 1. CWL1220P

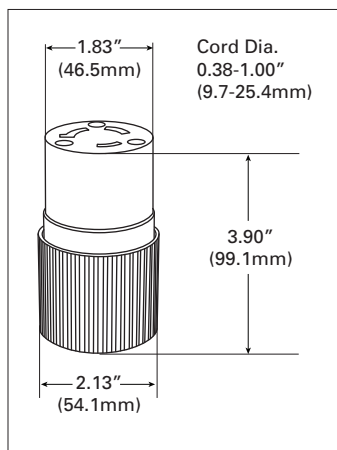


Figure 2. CWL1220C

Compliances, specifications and availability are subject to change without notice.

| | |
|-----------------|--------------|
| Project Name: | Prepared By: |
| Project Number: | Date: |
| Catalog Number: | Type: |

Single Receptacle

NEMA L12-20 20A, 3Ø 480V/AC, 3P-3W

Table 4. Specifications

| Catalog No. | NEMA L12-20 Single Receptacle |
|-------------------------------------|---|
| NEMA Config | NEMA L12-20 |
| Wiring Type | Back & side wire |
| Environmental Specifications | Flammability: Meets UL94 requirements; V0 rated Temperature Rating: -40°C to 60°C (-40°F to 140°F) |
| Electrical Specifications | Dielectric Voltage: ≤300V: 2000V, 301-600V: 3000V per UL498 Current Interrupting: Yes, at full-rated current Temperature Rise: Max. 30°C (86°F) after 50 cycles of overload @ 150% of rated current (DC) |
| Mechanical Specifications | Terminal Accommodation: #14 - #8 AWG Voltage Ratings: Permanently marked on device |

Table 5. Materials

| Catalog No. | NEMA L12-20 Single Receptacle |
|-------------------------|-------------------------------|
| NEMA Config | NEMA L12-20 |
| Face | Glass-filled nylon |
| Base | Glass-filled nylon |
| Mounting Strap | 0.050" thick pre-plated steel |
| Auto Ground Clip | N/A |
| Line Contacts | 0.041" thick brass |
| Terminal Screws | #10-32 brass screws |
| Ground Screw | #10-32 brass screws |
| Mounting Screws | Steel, zinc plated |

Product Dimensions

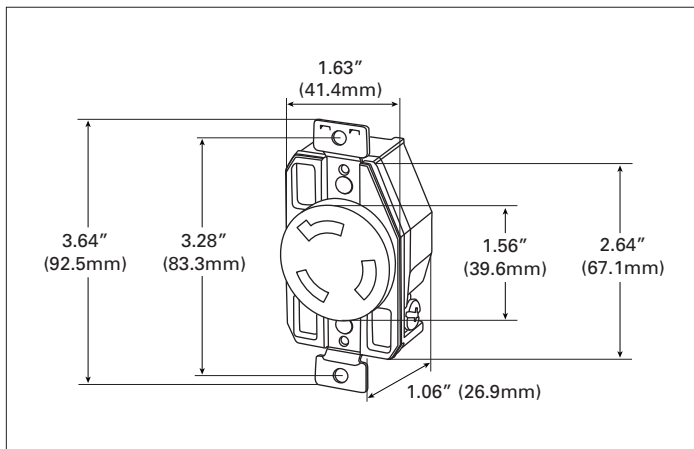


Figure 3. CWL1220R

Compliances, specifications and availability are subject to change without notice.

| | |
|-----------------|--------------|
| Project Name: | Prepared By: |
| Project Number: | Date: |
| Catalog Number: | Type: |

Flanged Inlet & Outlet

NEMA L12-20 20A, 3Ø 480V/AC, 3P-3W

Table 6. Specifications

| Catalog No. | NEMA L12-20 Flanged Inlet & Outlet |
|-------------------------------------|---|
| NEMA Config | NEMA L12-20 |
| Wiring Type | Back wire |
| Environmental Specifications | Flammability: Meets UL94 requirements; V2 rated (or better) Temperature Rating: -40°C to 75°C (-40°F to 167°F) |
| Electrical Specifications | Dielectric Voltage: ≤300V: 2000V, 301-600V: 3000V per UL498 Current Interrupting: Yes, at full-rated current Temperature Rise: Flanged outlets: max. 30°C (86°F) after 50 cycles of overload @ 150% of rated current (DC); flanged inlets; max. 30°C (86°F) @ maximum rated current (DC) |
| Mechanical Specifications | Terminal Accommodation: #16-#8 AWG Voltage Ratings: Permanently marked on device |

Table 7. Materials

| Catalog No. | NEMA L12-20 Flanged Inlet & Outlet |
|--------------------------|------------------------------------|
| NEMA Config | NEMA L12-20 |
| Outer Shell | Nylon |
| Interior Body | Nylon |
| Terminal Retainer | Polycarbonate |
| Blades | Brass |
| Line Contacts | Brass |
| Terminal Clamps | Steel, nickel plated |
| Terminal Screws | #10-32 brass |
| Ground Screw | #10-32 brass (green) |
| Assembly Screws | Steel, zinc plated |
| Mounting Screws | Steel, nickel plated |

Product Dimensions

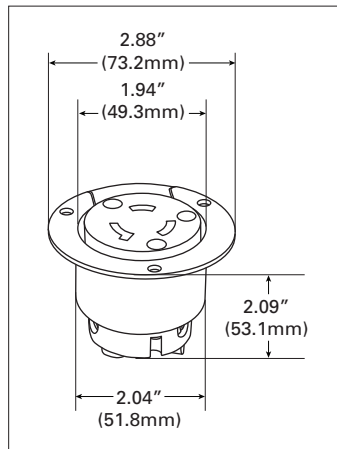


Figure 4. CWL1220FO

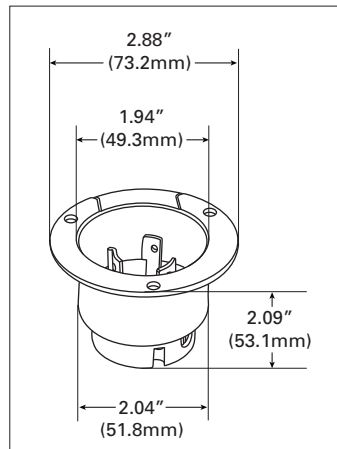


Figure 5. CWL1220FI

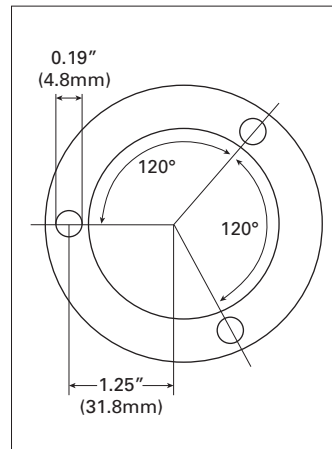







Figure 6. Top View


Compliances, specifications and availability are subject to change without notice.

| | |
|-----------------|--------------|
| Project Name: | Prepared By: |
| Project Number: | Date: |
| Catalog Number: | Type: |

Certifications & Compliances

| Catalog No. |  |  |  |  |  |
|-------------|---|---|---|---|---|
| CWL1220P | • | | | | • |
| CWL1220C | • | | | | • |
| CWL1220R | | • | | • | • |
| CWL1220FO | | • | • | | • |
| CWL1220FI | • | | | | • |

KEY:  cULus  UL  CSA  NAFTA  ROHS

 Parts are manufactured and designed in accordance with article 4 of the European Union's RoHS2 directive 2011/65/EU

Compliances, specifications and availability are subject to change without notice.

Electrical Sector
203 Cooper Circle
Peachtree City, GA 30269
United States
Eaton.com
Arrowhart.com

Electrical Sector
Canada Operations
5925 McLaughlin Road
Mississauga, Ontario, L5R 1B8
Canada
EatonCanada.ca
Arrowhart.com

Electrical Sector
Mexico Operations
Carr. Tlalnepantla -
Cuautitlan Km 178 s/n
Col. Villa Jardin esq.
Cerrada 8 de Mayo
Cuautitlan, Mexico CP 54800
Mexico
Eaton.mx
Arrowhart.com

Eaton
1000 Eaton Boulevard
Cleveland, OH 44122
United States
Eaton.com

© 2014 Eaton
All Rights Reserved
Printed in USA
Publication No. 125-0082-13
January 2014

Eaton is a registered trademark.

All other trademarks are property
of their respective owners.