

INSTRUMENTATION & METERING TRANSFORMERS



Donut Style

Foot Mounted

Description

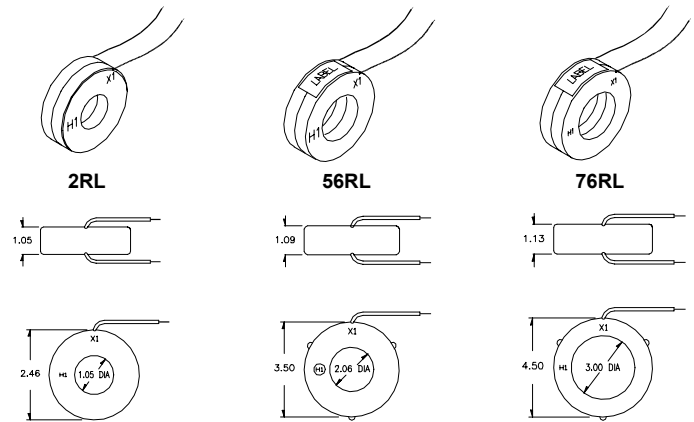
Littelfuse offers a wide array of instrument rated current transformers in 1-3 inch diameter opening.

Voltage class: 600V

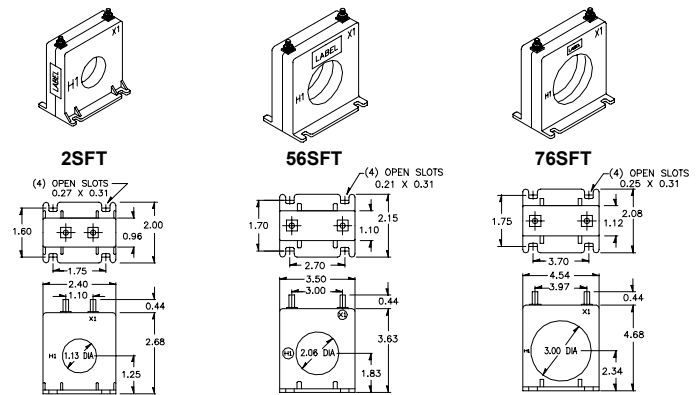
BIL rating: 10kV

Dimensional Drawing

DONUT STYLE



FOOT MOUNTED WITH BRASS TERMINALS



Ordering Information

DONUT MODEL	WINDOW	CURRENT RATIO
CT-0050-D10	1.0"	50:5
CT-0075-D10	1.0"	75:5
CT-0100-D10	1.0"	100:5
CT-0150-D10	1.0"	150:5
CT-0200-D10	1.0"	200:5
CT-0300-D10	1.0"	300:5
CT-0200-D20	2.0"	200:5
CT-0300-D20	2.0"	300:5
CT-0400-D20	2.0"	400:5
CT-0500-D20	2.0"	500:5

FOOTED MODEL	WINDOW	CURRENT RATIO
CT-0050-F10	1.0"	50:5
CT-0100-F10	1.0"	100:5
CT-0150-F10	1.0"	150:5
CT-0200-F10	1.0"	200:5
CT-0300-F10	1.0"	300:5
CT-1200-F15	1.5"	1200:5
CT-0150-F20	2.0"	150:5
CT-0200-F20	2.0"	200:5
CT-0300-F20	2.0"	300:5
CT-0400-F20	2.0"	400:5
CT-0600-F20	2.0"	600:5
CT-0400-F30	3.0"	400:5
CT-0800-F30	3.0"	800:5

Part Numbering System

