



## Affordable durability for a wide range of applications.

CSB15AC1, CSB15AC2, CSB15AC3, CSB15AC4, CSB20AC1, CSB20AC2, CSB20AC3, CSB20AC4

These switches offer excellent value while meeting federal specification standards. External screw-pressure-plate back wiring enables fast installation and superior electrical connections. Rugged construction shrugs off hard use and abuse.

## Features & Benefits

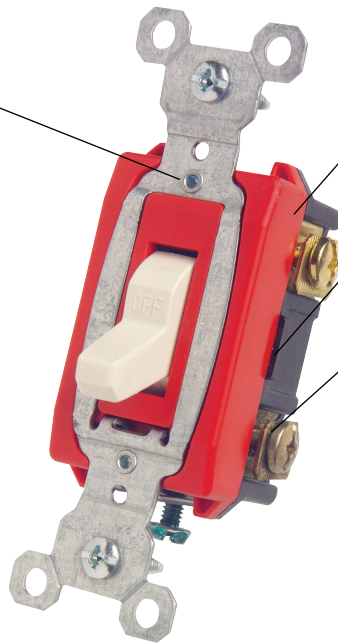
**One-piece plated steel strap** for corrosion resistance

**Heavy-duty bumpers** for quiet, smooth operation

**Oversized silver-alloy contacts** for long life and better heat dissipation

**Heavy-duty, brass alloy, one-piece contact arm** virtually eliminates contact bounce

**Shallow design** for easier installation



**Glass-reinforced nylon back body** for durability and strength

**Locking support** provides resistance to face and back body separation

**Side and external screw-pressure-plate back wire** with #14 – #10 AWG copper or copper-clad wire

**Cam control and spring actuator** for positive “makes and breaks” with a minimum of arcing

CSB20AC1LA

## 3rd Party Compliance



UL Listed, File Number E140597, Standard UL20, General Use Snap Switches. Federal Specification WS896. cULus Listed, File Number LR17446, Standard CSA-C22.2 No. 111, General Use Snap Switches. Conforms to NEMA WD-1 and WD-6.

**Technical Information**
**Performance**
**Electrical**

Dielectric Withstand Voltage	1500V Minimum
Maximum Working Voltage	277VAC
Overload	Minimum 4.8 times rated current for 100 cycles
Temperature Rise	30°C maximum at rated current
Maximum Continuous Current	277VAC
Endurance	50,000 cycles minimum, resistive, inductive, tungsten filament lamp load (Fed Spec)

**Mechanical**

Terminal Accommodations	#14 AWG – #10 AWG
-------------------------	-------------------

**Environmental**

Flammability	UL94 V2
Operating Temperature	Maximum continuous +115°C, minimum -40°C

**Materials**

Back Body	Glass-Reinforced Nylon
Front Body	Nylon
Toggle	Thermoplastic Polycarbonate
Terminals	Brass
Terminal Screws	Tri-Drive Brass-Plated Steel
Strap	Plated Steel
Pressure Plate	Brass
Contacts	Silver Cadmium Oxide
Spring Arm	Brass
Bumper	Rubber
Spring	Zinc-Plated Steel
Ground Terminal	Brass
Ground Screw	Tri-Drive Zinc-Plated Steel

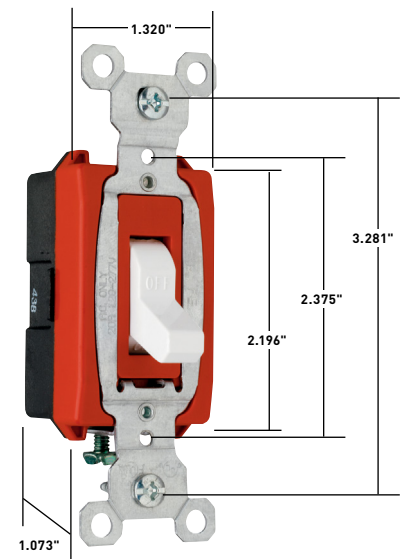
**HP Conversion Table – Switches**

<b>15 Amp</b>	1/2 Horsepower at 120VAC; 2 Horsepower at 240VAC
<b>20 Amp</b>	1 Horsepower at 120VAC; 2 Horsepower at 240VAC

15 Amp Cover      Blue  
 20 Amp Cover      Red

**Warranty**

1 Year


**Dimensions for  
 15 & 20 Amp**

---

**Ordering Information**
**Hard Use Switches**

Catalog Number				Rating		
Single Pole	Double Pole	Three-Way	Four-Way	A	VAC	Color
CSB15AC1I	CSB15AC2I	CSB15AC3I	CSB15AC4I	15	120/277	Ivory
CSB15AC1W	CSB15AC2W	CSB15AC3W	CSB15AC4W	15	120/277	White
CSB15AC1	CSB15AC2	CSB15AC3	CSB15AC4	15	120/277	Brown
CSB15AC1GRY	CSB15AC2GRY	CSB15AC3GRY	CSB15AC4GRY	15	120/277	Gray
CSB15AC1LA	CSB15AC2LA	CSB15AC3LA	CSB15AC4LA	15	120/277	Light Almond
CSB20AC1I	CSB20AC2I	CSB20AC3I	CSB20AC4I	20	120/277	Ivory
CSB20AC1W	CSB20AC2W	CSB20AC3W	CSB20AC4W	20	120/277	White
CSB20AC1	CSB20AC2	CSB20AC3	CSB20AC4	20	120/277	Brown
CSB20AC1GRY	CSB20AC2GRY	CSB20AC3GRY	CSB20AC4GRY	20	120/277	Gray
CSB20AC1BK		CSB20AC3BK		20	120/277	Black
CSB20AC1LA	CSB20AC2LA	CSB20AC3LA	CSB20AC4LA	20	120/277	Light Almond

---

## Vertical Markets


- Education
- Institutional
- Hospitality/Lodging
- Retail
- Multiple Dwelling
- Office

---

## Also available

- Plug Load Control Devices
- Hospital Grade Devices
- PlugTail® Devices
- Plug Load Solutions
- SPD & Isolated Ground Devices
- Ground Continuity Monitoring Devices (GCM)
- Straight Blade Plugs & Connectors
- Turnlok® Locking Devices
- IEC 309 Industrial Products
- Flexcor® Wire Mesh Grip
- USB Charging Devices

---

 The paper used to print this document is an environmentally responsible paper with 10% post consumer waste, with FSC and SFI Chain of Custody certifications, Lacey Act compliant. 100% of the electricity used to manufacture Flo sheets is generated with Green-e certified renewable energy.

All brand and product names referenced in this document are registered trademarks or trademarks of their respective holders.



**Legrand, North America**  
60 Woodlawn Street  
West Hartford, CT 06110  
1.877.BY.LEGRAND (295.3472)  
[www.legrand.us](http://www.legrand.us)  
905.738.9195  
[www.legrand.ca](http://www.legrand.ca)





## Affordable durability for a wide range of applications.

CSB15AC1, CSB15AC2, CSB15AC3, CSB15AC4, CSB20AC1, CSB20AC2, CSB20AC3, CSB20AC4

These switches offer excellent value while meeting federal specification standards. External screw-pressure-plate back wiring enables fast installation and superior electrical connections. Rugged construction shrugs off hard use and abuse.

## Features & Benefits

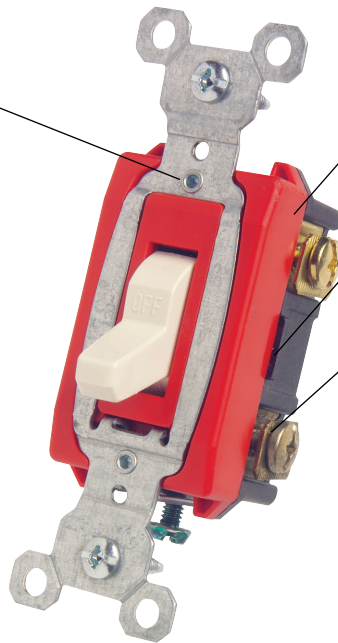
**One-piece plated steel strap** for corrosion resistance

**Heavy-duty bumpers** for quiet, smooth operation

**Oversized silver-alloy contacts** for long life and better heat dissipation

**Heavy-duty, brass alloy, one-piece contact arm** virtually eliminates contact bounce

**Shallow design** for easier installation



**Glass-reinforced nylon back body** for durability and strength

**Locking support** provides resistance to face and back body separation

**Side and external screw-pressure-plate back wire** with #14 – #10 AWG copper or copper-clad wire

**Cam control and spring actuator** for positive “makes and breaks” with a minimum of arcing

CSB20AC1LA

## 3rd Party Compliance



UL Listed, File Number E140597, Standard UL20, General Use Snap Switches. Federal Specification WS896. cULus Listed, File Number LR17446, Standard CSA-C22.2 No. 111, General Use Snap Switches. Conforms to NEMA WD-1 and WD-6.

**Technical Information**
**Performance**
**Electrical**

Dielectric Withstand Voltage	1500V Minimum
Maximum Working Voltage	277VAC
Overload	Minimum 4.8 times rated current for 100 cycles
Temperature Rise	30°C maximum at rated current
Maximum Continuous Current	277VAC
Endurance	50,000 cycles minimum, resistive, inductive, tungsten filament lamp load (Fed Spec)

**Mechanical**

Terminal Accommodations	#14 AWG – #10 AWG
-------------------------	-------------------

**Environmental**

Flammability	UL94 V2
Operating Temperature	Maximum continuous +115°C, minimum -40°C

**Materials**

Back Body	Glass-Reinforced Nylon
Front Body	Nylon
Toggle	Thermoplastic Polycarbonate
Terminals	Brass
Terminal Screws	Tri-Drive Brass-Plated Steel
Strap	Plated Steel
Pressure Plate	Brass
Contacts	Silver Cadmium Oxide
Spring Arm	Brass
Bumper	Rubber
Spring	Zinc-Plated Steel
Ground Terminal	Brass
Ground Screw	Tri-Drive Zinc-Plated Steel

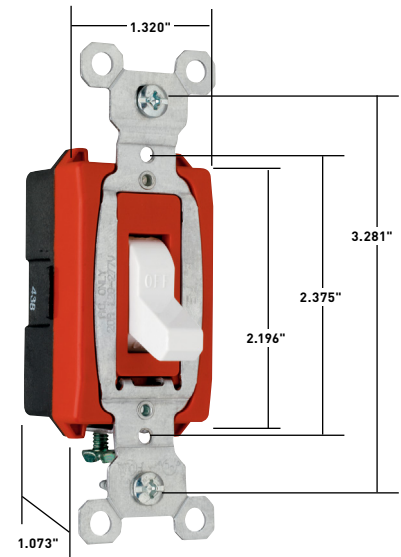
**HP Conversion Table – Switches**

<b>15 Amp</b>	1/2 Horsepower at 120VAC; 2 Horsepower at 240VAC
<b>20 Amp</b>	1 Horsepower at 120VAC; 2 Horsepower at 240VAC

15 Amp Cover	Blue
20 Amp Cover	Red

**Warranty**

1 Year


**Dimensions for  
15 & 20 Amp**

---

**Ordering Information**
**Hard Use Switches**

Catalog Number				Rating		
Single Pole	Double Pole	Three-Way	Four-Way	A	VAC	Color
CSB15AC1I	CSB15AC2I	CSB15AC3I	CSB15AC4I	15	120/277	Ivory
CSB15AC1W	CSB15AC2W	CSB15AC3W	CSB15AC4W	15	120/277	White
CSB15AC1	CSB15AC2	CSB15AC3	CSB15AC4	15	120/277	Brown
CSB15AC1GRY	CSB15AC2GRY	CSB15AC3GRY	CSB15AC4GRY	15	120/277	Gray
CSB15AC1LA	CSB15AC2LA	CSB15AC3LA	CSB15AC4LA	15	120/277	Light Almond
CSB20AC1I	CSB20AC2I	CSB20AC3I	CSB20AC4I	20	120/277	Ivory
CSB20AC1W	CSB20AC2W	CSB20AC3W	CSB20AC4W	20	120/277	White
CSB20AC1	CSB20AC2	CSB20AC3	CSB20AC4	20	120/277	Brown
CSB20AC1GRY	CSB20AC2GRY	CSB20AC3GRY	CSB20AC4GRY	20	120/277	Gray
CSB20AC1BK		CSB20AC3BK		20	120/277	Black
CSB20AC1LA	CSB20AC2LA	CSB20AC3LA	CSB20AC4LA	20	120/277	Light Almond

---

## Vertical Markets


- Education
- Institutional
- Hospitality/Lodging
- Retail
- Multiple Dwelling
- Office

---

## Also available

- Plug Load Control Devices
- Hospital Grade Devices
- PlugTail® Devices
- Plug Load Solutions
- SPD & Isolated Ground Devices
- Ground Continuity Monitoring Devices (GCM)
- Straight Blade Plugs & Connectors
- Turnlok® Locking Devices
- IEC 309 Industrial Products
- Flexcor® Wire Mesh Grip
- USB Charging Devices

---

 The paper used to print this document is an environmentally responsible paper with 10% post consumer waste, with FSC and SFI Chain of Custody certifications, Lacey Act compliant. 100% of the electricity used to manufacture Flo sheets is generated with Green-e certified renewable energy.

All brand and product names referenced in this document are registered trademarks or trademarks of their respective holders.



**Legrand, North America**  
60 Woodlawn Street  
West Hartford, CT 06110  
1.877.BY.LEGRAND (295.3472)  
[www.legrand.us](http://www.legrand.us)  
905.738.9195  
[www.legrand.ca](http://www.legrand.ca)

