

Twist-Lock® Devices  
 50A, 3 Phase 250V AC, 3 Pole, 4 Wire  
 Grounding  
 Insulgrip® Plug

# HUBBELL

## Features

- Super tough nylon housing offers better impact qualities
- Stainless steel shroud protects contacts and prevents mismatching
- Heavy duty two-piece external cord clamp provides maximum strain relief
- Box terminal with hex socket threaded slug, permits high clamping pressure on conductors without damaging strands
- Thermoplastic polyester interior provides heat resistance and impact strength

## Ordering Information

| Description                                   | Cord Diameter                 | UPC          | Catalog Number |
|-----------------------------------------------|-------------------------------|--------------|----------------|
| Nylon cover, thermoplastic polyester interior | .830"-1.250"<br>(21.08-31.75) | 783585829128 | CS8365C        |

## Listings

Listed to UL 498  
 Certified to CSA C22.2 No.42

## Specifications

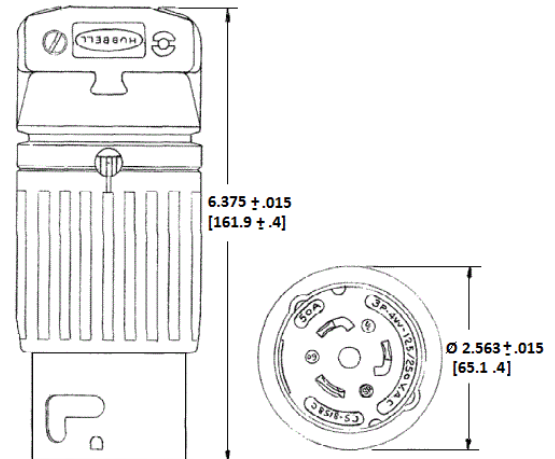
|                 |                 |
|-----------------|-----------------|
| Housing         | Nylon           |
| Blade Holder    | Polyester       |
| Blades          | Brass           |
| Shell           | Stainless Steel |
| Terminal Screws | Stainless steel |
| Cord Grip       | Polyester       |

## Performance

| Electrical           |                                                          |
|----------------------|----------------------------------------------------------|
| Current Interrupting | Certified for current interrupting at full rated current |
| Dielectric Voltage   | Withstands 2,000V minimum                                |

| Mechanical             |                                            |
|------------------------|--------------------------------------------|
| Terminal Accommodation | #10 AWG - #6 AWG stranded copper wire only |

| Environmental          |                                                     |
|------------------------|-----------------------------------------------------|
| Flammability           | HB or better                                        |
| Operating Temperatures | Maximum continuous 75°C; minimum -40°C (w/o impact) |



## Accessories

|                   |          |
|-------------------|----------|
| Connector         | CS8364C  |
| Single Receptacle | CS8369   |
| Weatherproof Boot | HBL7716C |

## Resources

Customer Use Drawing  
 eCatalog

Dimensions in Inches (mm)

Hubbell Wiring Device-Kellems • Hubbell Incorporated (Delaware) • 40 Waterview Drive • Shelton, CT 06484

Phone (800) 288-6000 • Fax (800) 255-1031 • Specifications subject to change without notice.



Twist-Lock® Devices  
 50A, 3 Phase 250V AC, 3 Pole, 4 Wire  
 Grounding  
 Insulgrip® Plug

# HUBBELL

## Features

- Super tough nylon housing offers better impact qualities
- Stainless steel shroud protects contacts and prevents mismatching
- Heavy duty two-piece external cord clamp provides maximum strain relief
- Box terminal with hex socket threaded slug, permits high clamping pressure on conductors without damaging strands
- Thermoplastic polyester interior provides heat resistance and impact strength

## Ordering Information

| Description                                   | Cord Diameter                 | UPC          | Catalog Number |
|-----------------------------------------------|-------------------------------|--------------|----------------|
| Nylon cover, thermoplastic polyester interior | .830"-1.250"<br>(21.08-31.75) | 783585829128 | CS8365C        |

## Listings

Listed to UL 498  
 Certified to CSA C22.2 No.42

## Specifications

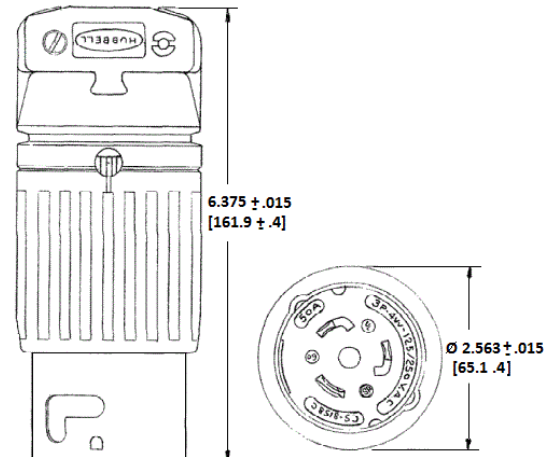
|                 |                 |
|-----------------|-----------------|
| Housing         | Nylon           |
| Blade Holder    | Polyester       |
| Blades          | Brass           |
| Shell           | Stainless Steel |
| Terminal Screws | Stainless steel |
| Cord Grip       | Polyester       |

## Performance

| Electrical           |                                                          |
|----------------------|----------------------------------------------------------|
| Current Interrupting | Certified for current interrupting at full rated current |
| Dielectric Voltage   | Withstands 2,000V minimum                                |

| Mechanical             |                                            |
|------------------------|--------------------------------------------|
| Terminal Accommodation | #10 AWG - #6 AWG stranded copper wire only |

| Environmental          |                                                     |
|------------------------|-----------------------------------------------------|
| Flammability           | HB or better                                        |
| Operating Temperatures | Maximum continuous 75°C; minimum -40°C (w/o impact) |



## Accessories

|                   |          |
|-------------------|----------|
| Connector         | CS8364C  |
| Single Receptacle | CS8369   |
| Weatherproof Boot | HBL7716C |

## Resources

Customer Use Drawing  
 eCatalog

Dimensions in Inches (mm)

Hubbell Wiring Device-Kellems • Hubbell Incorporated (Delaware) • 40 Waterview Drive • Shelton, CT 06484

Phone (800) 288-6000 • Fax (800) 255-1031 • Specifications subject to change without notice.

