



## NVENT CADDY ROD LOCK BEAM CLAMP, THICK FLANGE, 1/2" ROD, 0.375"-0.75" FLANGE

### CATALOG NUMBER

**CRLB50EG**



### CERTIFICATIONS



### FEATURES

Prefabricated assemblies easily lift and lock into place, helping to save time and money

Easy "push-to-install" design allows installers to simply push the threaded rod through the mounting hole, instantly holding it in position

Lock nut can be finger tightened, locking the rod in place

Works with slightly damaged threads and minor burrs on the threaded rod

Conforms with Federal Specification WW-H-171 (Type 23), Manufacturers Standardization Society ANSI®/MSS-SP-58 (Type 19 and 23)

### PRODUCT ATTRIBUTES

Material: Cast Iron

Finish: Electrogalvanized

Rod Size (RS): 1/2

Flange Thickness (FT): 3/8" - 3/4"

Height (H): 2.1"

Length (L): 2.4"

Width (W): 1.3"

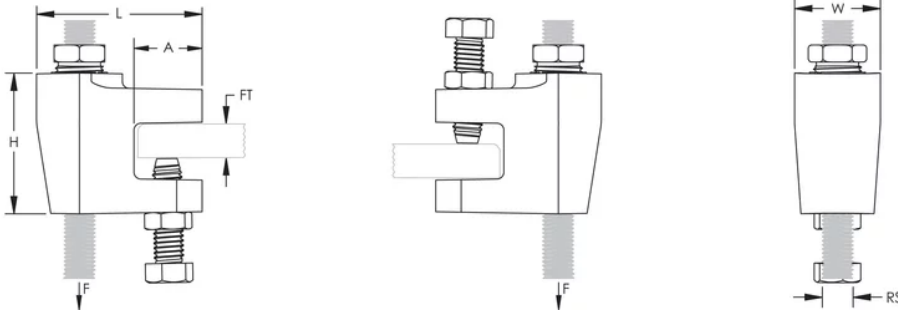
A: 1"

Static Load (F): 1100 lb

## ADDITIONAL PRODUCT DETAILS

FM® Approved in the bottom mount orientation only.

## DIAGRAMS



## WARNING

nVent products shall be installed and used only as indicated in nVent's product instruction sheets and training materials. Instruction sheets are available at [www.nvent.com](http://www.nvent.com) and from your nVent customer service representative. Improper installation, misuse, misapplication or other failure to completely follow nVent's instructions and warnings may cause product malfunction, property damage, serious bodily injury and death and/or void your warranty.

### North America

+1.800.753.9221  
Option 1 – Customer Care  
Option 2 – Technical Support

### Europe

Netherlands:  
+31 800-0200135  
France:  
+33 800 901 793

### Europe

Germany:  
800 1890272  
Other Countries:  
+31 13 5835404

### APAC

Shanghai:  
+ 86 21 2412 1618/19  
Sydney:  
+61 2 9751 8500



Our powerful portfolio of brands:  
nVent.com **CADDY ERICO HOFFMAN RAYCHEM SCHROFF**  
**TRACER**



## NVENT CADDY ROD LOCK BEAM CLAMP, THICK FLANGE, 1/2" ROD, 0.375"-0.75" FLANGE

### CATALOG NUMBER

**CRLB50EG**



### CERTIFICATIONS



### FEATURES

Prefabricated assemblies easily lift and lock into place, helping to save time and money

Easy "push-to-install" design allows installers to simply push the threaded rod through the mounting hole, instantly holding it in position

Lock nut can be finger tightened, locking the rod in place

Works with slightly damaged threads and minor burrs on the threaded rod

Conforms with Federal Specification WW-H-171 (Type 23), Manufacturers Standardization Society ANSI®/MSS-SP-58 (Type 19 and 23)

### PRODUCT ATTRIBUTES

Material: Cast Iron

Finish: Electrogalvanized

Rod Size (RS): 1/2

Flange Thickness (FT): 3/8" - 3/4"

Height (H): 2.1"

Length (L): 2.4"

Width (W): 1.3"

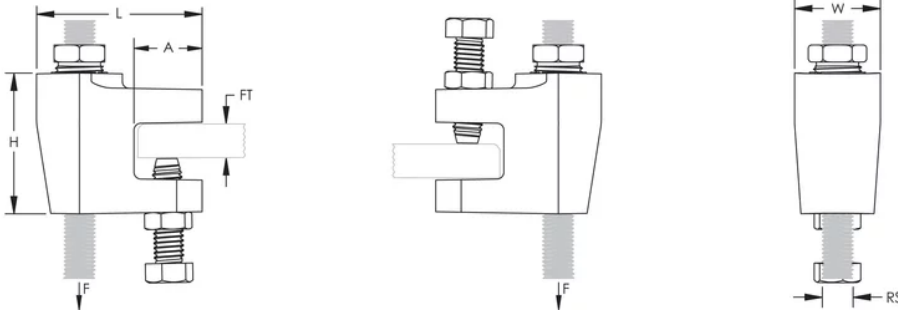
A: 1"

Static Load (F): 1100 lb

## ADDITIONAL PRODUCT DETAILS

FM® Approved in the bottom mount orientation only.

## DIAGRAMS



## WARNING

nVent products shall be installed and used only as indicated in nVent's product instruction sheets and training materials. Instruction sheets are available at [www.nvent.com](http://www.nvent.com) and from your nVent customer service representative. Improper installation, misuse, misapplication or other failure to completely follow nVent's instructions and warnings may cause product malfunction, property damage, serious bodily injury and death and/or void your warranty.

### North America

+1.800.753.9221  
Option 1 – Customer Care  
Option 2 – Technical Support

### Europe

Netherlands:  
+31 800-0200135  
France:  
+33 800 901 793

### Europe

Germany:  
800 1890272  
Other Countries:  
+31 13 5835404

### APAC

Shanghai:  
+ 86 21 2412 1618/19  
Sydney:  
+61 2 9751 8500



Our powerful portfolio of brands:  
nVent.com **CADDY ERICO HOFFMAN RAYCHEM SCHROFF**  
**TRACER**