

Straight Blade Devices

20A, 125V, 2 Pole, 3 Wire Grounding

Hubbell-Pro™ Heavy Duty Duplex Receptacles

HUBBELL

Features

- Triangle marking on face indicates isolated ground
- Slender/compact design
- Finder Groove Face



20A 125V
NEMA 5-20R
UL CSA
1 HP



Ordering Information

| Description | Device Color | UPC | Catalog Number |
|-----------------------|--------------|--------------|----------------|
| Isolated ground, back | Orange | 783585387802 | CR5352IG |

Listings

UL Listed to UL498 File No. E2186
Certified to CSA, C22.2, No. 42 File 285
Fed. Spec. WC596
NEMA® WD-6 Compliant

Specifications

| | |
|-------------------------------|----------------------------|
| Face | Nylon |
| Base | PBT |
| Mounting Strap | .040" (1) Galvanized steel |
| Ground Contacts | .031" (.8) Brass |
| Clamp | Nickel plated steel |
| Terminal Screws | Brass |
| Mounting Strap | Galvanized steel |
| Automatic Self-grounding Clip | Stainless steel |
| Mounting Screws | Stainless Steel |

Performance

Electrical

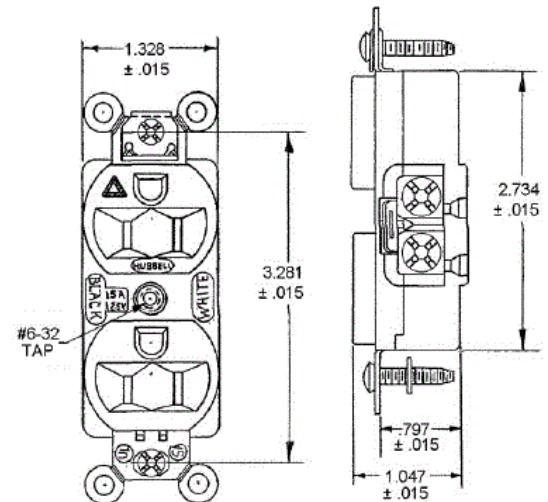
| | |
|----------------------|--|
| Current Interrupting | Certified for current interrupting at full rated current |
| Dielectric Voltage | Withstands 2,000V minimum |

Mechanical

| | |
|-------------------------|--|
| Product Identification | Ratings are a permanent part of the device |
| Terminal Accommodation | #12-#10 AWG copper stranded or solid conductor only |
| Terminal Identification | Terminals identified in accordance with UL 498 and CSA |

Environmental

| | |
|------------------------|---|
| Flammability | UL 94 V-2 |
| Operating Temperatures | Maximum continuous 75°C; minimum -40°C (w/o impact) |



Online Resources

Customer Use Drawing
eCatalog
Installation Instructions

Accessories

Wallplate or Weatherproof Cover

Duplex Opening

Dimensions in Inches (mm)

Hubbell Wiring Device-Kellems • Hubbell Incorporated (Delaware) • 40 Waterview Drive • Shelton, CT 06484

Phone (800) 288-6000 • Fax (800) 255-1031 • Specifications subject to change without notice.



Straight Blade Devices

20A, 125V, 2 Pole, 3 Wire Grounding

Hubbell-Pro™ Heavy Duty Duplex Receptacles

HUBBELL

Features

- Triangle marking on face indicates isolated ground
- Slender/compact design
- Finder Groove Face



20A 125V
NEMA 5-20R
UL CSA
1 HP



Ordering Information

| Description | Device Color | UPC | Catalog Number |
|-----------------------|--------------|--------------|----------------|
| Isolated ground, back | Orange | 783585387802 | CR5352IG |

Listings

UL Listed to UL498 File No. E2186
Certified to CSA, C22.2, No. 42 File 285
Fed. Spec. WC596
NEMA® WD-6 Compliant

Specifications

| | |
|-------------------------------|----------------------------|
| Face | Nylon |
| Base | PBT |
| Mounting Strap | .040" (1) Galvanized steel |
| Ground Contacts | .031" (.8) Brass |
| Clamp | Nickel plated steel |
| Terminal Screws | Brass |
| Mounting Strap | Galvanized steel |
| Automatic Self-grounding Clip | Stainless steel |
| Mounting Screws | Stainless Steel |

Performance

Electrical

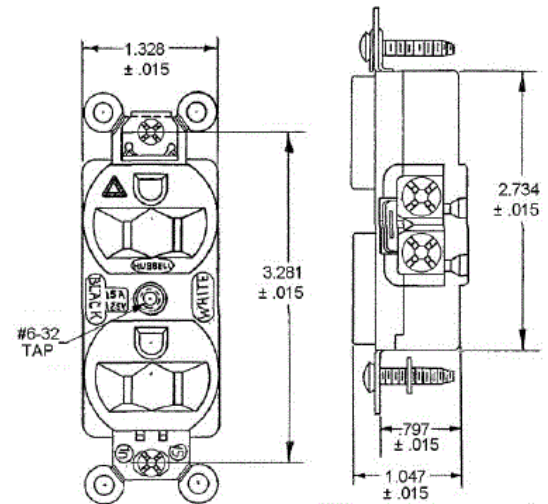
| | |
|----------------------|--|
| Current Interrupting | Certified for current interrupting at full rated current |
| Dielectric Voltage | Withstands 2,000V minimum |

Mechanical

| | |
|-------------------------|--|
| Product Identification | Ratings are a permanent part of the device |
| Terminal Accommodation | #12-#10 AWG copper stranded or solid conductor only |
| Terminal Identification | Terminals identified in accordance with UL 498 and CSA |

Environmental

| | |
|------------------------|---|
| Flammability | UL 94 V-2 |
| Operating Temperatures | Maximum continuous 75°C; minimum -40°C (w/o impact) |



Online Resources

Customer Use Drawing
eCatalog
Installation Instructions

Accessories

Wallplate or Weatherproof Cover

Duplex Opening

Dimensions in Inches (mm)

Hubbell Wiring Device-Kellems • Hubbell Incorporated (Delaware) • 40 Waterview Drive • Shelton, CT 06484

Phone (800) 288-6000 • Fax (800) 255-1031 • Specifications subject to change without notice.

