

# W

## Technical Specifications - Classic Window Series

CLW

*Flush Bonded Window "W" configuration - 4 cover screws, lift off cover*



### W Construction

<b>Material</b>	Hot compression molded fiberglass reinforced polyester (thermoset)
<b>Gasket</b>	Poured polyurethane seamless gasket provides watertight, dust-tight environmental seal
<b>Recessed Screws</b>	No protruding surfaces
<b>Stainless Steel Hardware</b>	300 Series stainless used on all hardware
<b>Mounting Bosses</b>	Panel mounting capability for fixed rear panel
<b>Metal inserts</b>	All bosses utilize threaded brass inserts accepting 10-32 screws
<b>Soft Edge Design</b>	Rounded edges, minimal protrusions or exposed pocket areas for assembly of dust and debris
<b>Bonded Window</b>	Precision routed flush bonded Super Abrasion Resistant acrylic material for maximum visibility

### W Industry Standards

<b>UL/cUL 50</b>	File E64358 Type 1, 3, 4X, 12
<b>NEMA 250</b>	Type 1, 3, 4X, 12
<b>CSA Std C22.2</b>	File LR069014 Type 1, 3, 4X, 12
<b>Temperature Range</b>	(-76° F to +274°F) (-60°C to +134°C)
<b>Flammability Rating</b>	UL94-5V
<b>Window Temperature Range</b>	(-26°F to +170°F) (-32°C to +76°C)
<b>Window Flammability Rating</b>	UL94-HB
<b>Self Extinguishing</b>	Non-halogenated, Non-flame propagating
<b>Chemical Resistance</b>	Full chemical resistance charts listed in appendix
<b>NFPA No. 101 Flame Spread</b>	Class A (1)

### NOTES:

### W Accessories

#### Back Panels

<b>Aluminum</b>	BP_AL	pg. 149 - 150
<b>Fiberglass</b>	BP_FG	pg. 149 - 150
<b>Stainless Steel</b>	BP_SS	pg. 149 - 150
<b>Carbon Steel</b>	BP_CS	pg. 149 - 150

#### Mounting Feet

<b>Mounting Feet</b>	pg. 157
----------------------	---------

#### Accessories

<b>Drain &amp; Breather Vents</b>	pg. 144, 146
<b>Hole Plugs</b>	pg. 145
<b>Assorted Hubs and Cord Grips</b>	pg. 145, 148
<b>All Other Accessories</b>	pg. 144 - 159

### W Modifications

<b>Custom Colors</b>	pg. 12 - 13
<b>Silk Screening</b>	pg. 12 - 13
<b>EMI/RFI Shielding</b>	pg. 12 - 13
<b>Custom Window</b>	pg. 12 - 13
<b>Custom Cutouts/Holes</b>	pg. 12 - 13

# HW

## Technical Specifications - Classic Window Series

CLW

*Flush Bonded Window "HW" configuration - Hinged, 2 cover screws*



**NOTES:**

### HW Construction

<b>Material</b>	Hot compression molded fiberglass reinforced polyester (thermoset)
<b>Gasket</b>	Poured polyurethane seamless gasket provides watertight, dust-tight environmental seal
<b>Recessed Screws</b>	No protruding surfaces
<b>Stainless Steel Hardware</b>	300 Series stainless used on all hardware
<b>Mounting Bosses</b>	Panel mounting capability for fixed rear panel
<b>Metal inserts</b>	All bosses utilize threaded brass inserts accepting 10-32 screws
<b>Soft Edge Design</b>	Rounded edges, minimal protrusions or exposed pocket areas for assembly of dust and debris
<b>Bonded Window</b>	Precision routed flush bonded Super Abrasion Resistant acrylic material for maximum visibility

### HW Industry Standards

<b>UL/cUL 50</b>	File E64358 Type 1, 3, 4X, 12
<b>NEMA 250</b>	Type 1, 3, 4X, 12
<b>CSA Std C22.2</b>	File LR069014 Type 1, 3, 4X, 12
<b>Temperature Range</b>	(-76° F to +274°F) (-60°C to +134°C)
<b>Flammability Rating</b>	UL94-5V
<b>Window Temperature Range</b>	(-26°F to +170°F) (-32°C to +76°C)
<b>Window Flammability Rating</b>	UL94-HB
<b>Self Extinguishing</b>	Non-halogenated, Non-flame propagating
<b>Chemical Resistance</b>	Full chemical resistance charts listed in appendix
<b>NFPA No. 101 Flame Spread</b>	Class A (1)

### HW Accessories

#### Back Panels

<b>Aluminum</b>	BP_AL	pg. 149 - 150
<b>Fiberglass</b>	BP_FG	pg. 149 - 150
<b>Stainless Steel</b>	BP_SS	pg. 149 - 150
<b>Carbon Steel</b>	BP_CS	pg. 149 - 150

#### Mounting Feet

<b>Mounting Feet</b>	pg. 157
----------------------	---------

#### Accessories

<b>Drain &amp; Breather Vents</b>	pg. 144, 146
<b>Hole Plugs</b>	pg. 145
<b>Assorted Hubs and Cord Grips</b>	pg. 145, 148
<b>All Other Accessories</b>	pg. 144 - 159

### HW Modifications

<b>Custom Colors</b>	pg. 12 - 13
<b>Silk Screening</b>	pg. 12 - 13
<b>EMI/RFI Shielding</b>	pg. 12 - 13
<b>Custom Window</b>	pg. 12 - 13
<b>Custom Cutouts/Holes</b>	pg. 12 - 13

# Technical Specifications - Classic Window Series

## Flush Bonded Window "HLL" configuration - Hinged, twist latch



### HLL Construction

<b>Material</b>	Hot compression molded fiberglass reinforced polyester (thermoset)
<b>Gasket</b>	Poured polyurethane seamless gasket provides watertight, dust-tight environmental seal
<b>Recessed Screws</b>	No protruding surfaces
<b>Stainless Steel Hardware</b>	300 Series stainless used on all hardware
<b>Mounting Bosses</b>	Panel mounting capability for fixed rear panel
<b>Metal inserts</b>	All bosses utilize threaded brass inserts accepting 10-32 screws
<b>Soft Edge Design</b>	Rounded edges, minimal protrusions or exposed pocket areas for assembly of dust and debris
<b>Bonded Window</b>	Precision routed flush bonded Super Abrasion Resistant acrylic material for maximum visibility

### HLL Industry Standards

<b>UL/cUL 50</b>	File E64358 Type 1, 3, 4X, 12
<b>NEMA 250</b>	Type 1, 3, 4X, 12
<b>CSA Std C22.2</b>	File LR069014 Type 1, 3, 4X, 12
<b>Temperature Range</b>	(-76° F to +274°F) (-60°C to +134°C)
<b>Flammability Rating</b>	UL94-5V
<b>Window Temperature Range</b>	(-26°F to +170°F) (-32°C to +76°C)
<b>Window Flammability Rating</b>	UL94-HB
<b>Self Extinguishing</b>	Non-halogenated, Non-flame propagating
<b>Chemical Resistance</b>	Full chemical resistance charts listed in appendix
<b>NFPA No. 101 Flame Spread</b>	Class A (1)

**NOTES:**

### HLL Accessories

#### Back Panels

<b>Aluminum</b>	BP_AL	pg. 149 - 150
<b>Fiberglass</b>	BP_FG	pg. 149 - 150
<b>Stainless Steel</b>	BP_SS	pg. 149 - 150
<b>Carbon Steel</b>	BP_CS	pg. 149 - 150

#### Mounting Feet

<b>Mounting Feet</b>	pg. 157
----------------------	---------

#### Accessories

<b>Drain &amp; Breather Vents</b>	pg. 144, 146
<b>Hole Plugs</b>	pg. 145
<b>Assorted Hubs and Cord Grips</b>	pg. 145, 148
<b>All Other Accessories</b>	pg. 144 - 159

### HLL Modifications

<b>Custom Colors</b>	pg. 12 - 13
<b>Silk Screening</b>	pg. 12 - 13
<b>EMI/RFI Shielding</b>	pg. 12 - 13
<b>Custom Window</b>	pg. 12 - 13
<b>Custom Cutouts/Holes</b>	pg. 12 - 13

# HPL

## Technical Specifications - Classic Window Series

CLW

"HPL" configuration - Hinged, padlock latch



**NOTES:**

### HPL Construction

<b>Material</b>	Hot compression molded fiberglass reinforced polyester (thermoset)
<b>Gasket</b>	Poured polyurethane seamless gasket provides watertight, dust-tight environmental seal
<b>Recessed Screws</b>	No protruding surfaces
<b>Stainless Steel Hardware</b>	300 Series stainless used on all hardware
<b>Mounting Bosses</b>	Panel mounting capability for fixed rear panel
<b>Metal inserts</b>	All bosses utilize threaded brass inserts accepting 10-32 screws
<b>Soft Edge Design</b>	Rounded edges, minimal protrusions or exposed pocket areas for assembly of dust and debris
<b>Bonded Window</b>	Precision routed flush bonded Super Abrasion Resistant acrylic material for maximum visibility

### HPL Industry Standards

<b>UL/cUL 50</b>	File E64358 Type 1, 3, 4X, 12
<b>NEMA 250</b>	Type 1, 3, 4X, 12
<b>CSA Std C22.2</b>	File LR069014 Type 1, 3, 4X, 12
<b>Temperature Range</b>	(-76° F to +274°F) (-60°C to +134°C)
<b>Flammability Rating</b>	UL94-5V
<b>Window Temperature Range</b>	(-26°F to +170°F) (-32°C to +76°C)
<b>Window Flammability Rating</b>	UL94-HB
<b>Self Extinguishing</b>	Non-halogenated, Non-flame propagating
<b>Chemical Resistance</b>	Full chemical resistance charts listed in appendix
<b>NFPA No. 101 Flame Spread</b>	Class A (1)

### HPL Accessories

#### Back Panels

<b>Aluminum</b>	BP_AL	pg. 149 - 150
<b>Fiberglass</b>	BP_FG	pg. 149 - 150
<b>Stainless Steel</b>	BP_SS	pg. 149 - 150
<b>Carbon Steel</b>	BP_CS	pg. 149 - 150

#### Mounting Feet

<b>Mounting Feet</b>	pg. 157
----------------------	---------

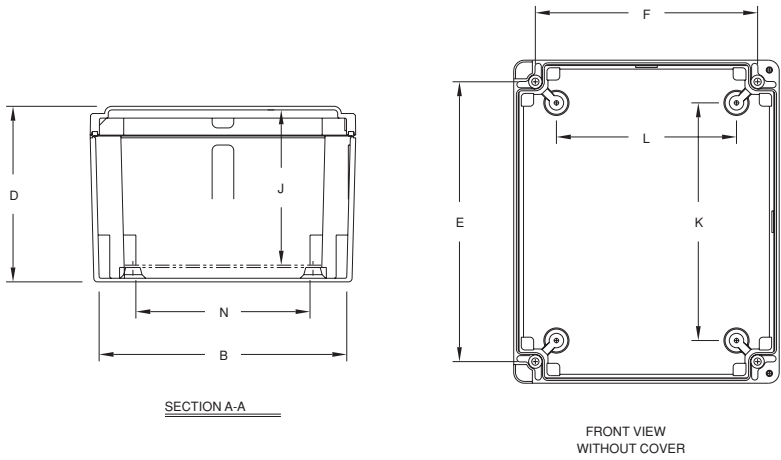
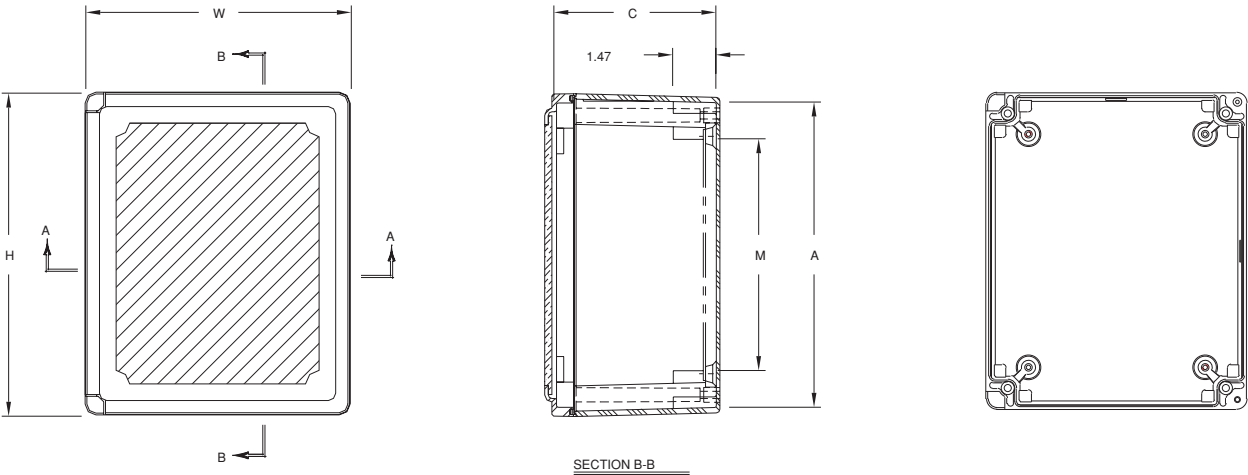
#### Accessories

<b>Drain &amp; Breather Vents</b>	pg. 144, 146
<b>Hole Plugs</b>	pg. 145
<b>Assorted Hubs and Cord Grips</b>	pg. 145, 148
<b>All Other Accessories</b>	pg. 144 - 159

### HPL Modifications

<b>Custom Colors</b>	pg. 12 - 13
<b>Silk Screening</b>	pg. 12 - 13
<b>EMI/RFI Shielding</b>	pg. 12 - 13
<b>Custom Window</b>	pg. 12 - 13
<b>Custom Cutouts/Holes</b>	pg. 12 - 13

Classic Window Series Technical Drawings



## Classic Window Series Flush Bonded Window Enclosures

Classic Window Series Flush Bonded Window Enclosures											
SIZE ID NUMBER	OVERALL H X W X D	INSIDE A X B X C	WINDOW AREA [MAXIMUM]	MOUNTING E X F	J	K	L	M	N	SHIPPING WEIGHT	PANEL NUMBER
CLW707HW CLW707HPL	7.21 x 7.21 x 5.09 (183 x 183 x 129)	6.65 x 6.65 x 4.84 (169 x 169 x 123)	5.06 x 5.06 (129 x 129)	5.71 x 5.71 (145 x 145)	4.39 (111)	4.25 (108)	4.25 (108)	4.04 (103)	4.04 (103)	4 lbs.	BP66*
CLW907HW CLW907HPL	9.21 x 7.21 x 5.09 (234 x 183 x 129)	8.59 x 6.59 x 4.84 (218 x 167 x 123)	7.06 x 5.06 (179 x 129)	7.71 x 5.71 (196 x 145)	4.39 (111)	6.25 (159)	4.25 (108)	6.04 (154)	4.04 (103)	4.3 lbs.	BP86*
CLW1109HW CLW1109HPL	11.21 x 9.21 x 6.09 (285 x 234 x 155)	10.59 x 8.59 x 5.84 (269 x 218 x 148)	9.06 x 7.06 (230 x 179)	9.71 x 7.71 (247 x 196)	5.39 (137)	8.25 (210)	6.25 (159)	8.04 (204)	6.04 (154)	6 lbs.	BP108*
CLW1311W CLW1311HW CLW1311HLL CLW1311HPL	13.21 x 11.21 x 6.59 (336 x 285 x 167)	12.59 x 10.59 x 6.34 (320 x 269 x 161)	11.06 x 9.06 (281 x 230)	11.71 x 9.71 (298 x 247)	5.89 (150)	10.25 (260)	8.25 (210)	10.04 (255)	8.04 (204)	7.8 lbs.	BP1210*
CLW1513HW CLW1513HLL CLW1513HPL	15.21 x 13.21 x 7.09 (386 x 336 x 180)	14.55 x 12.55 x 6.84 (370 x 319 x 174)	13.06 x 11.06 (332 x 281)	13.71 x 11.71 (348 x 298)	6.39 (162)	12.25 (311)	10.25 (260)	12.04 (306)	10.04 (255)	11.6 lbs.	BP1412*

Note: Hinge Short Side available; consult factory for details.  
 All measures are in inches, items in parentheses are in millimeters.  
 \*Panel ordered separately.

# W

## Technical Specifications - Classic Window Series

CLW

*Flush Bonded Window "W" configuration - 4 cover screws, lift off cover*



Classic Window Series

### W Construction

<b>Material</b>	Hot compression molded fiberglass reinforced polyester (thermoset)
<b>Gasket</b>	Poured polyurethane seamless gasket provides watertight, dust-tight environmental seal
<b>Recessed Screws</b>	No protruding surfaces
<b>Stainless Steel Hardware</b>	300 Series stainless used on all hardware
<b>Mounting Bosses</b>	Panel mounting capability for fixed rear panel
<b>Metal inserts</b>	All bosses utilize threaded brass inserts accepting 10-32 screws
<b>Soft Edge Design</b>	Rounded edges, minimal protrusions or exposed pocket areas for assembly of dust and debris
<b>Bonded Window</b>	Precision routed flush bonded Super Abrasion Resistant acrylic material for maximum visibility

### W Industry Standards

<b>UL/cUL 50</b>	File E64358 Type 1, 3, 4X, 12
<b>NEMA 250</b>	Type 1, 3, 4X, 12
<b>CSA Std C22.2</b>	File LR069014 Type 1, 3, 4X, 12
<b>Temperature Range</b>	(-76° F to +274°F) (-60°C to +134°C)
<b>Flammability Rating</b>	UL94-5V
<b>Window Temperature Range</b>	(-26°F to +170°F) (-32°C to +76°C)
<b>Window Flammability Rating</b>	UL94-HB
<b>Self Extinguishing</b>	Non-halogenated, Non-flame propagating
<b>Chemical Resistance</b>	Full chemical resistance charts listed in appendix
<b>NFPA No. 101 Flame Spread</b>	Class A (1)

### NOTES:

### W Accessories

#### Back Panels

<b>Aluminum</b>	BP_AL	pg. 149 - 150
<b>Fiberglass</b>	BP_FG	pg. 149 - 150
<b>Stainless Steel</b>	BP_SS	pg. 149 - 150
<b>Carbon Steel</b>	BP_CS	pg. 149 - 150

#### Mounting Feet

<b>Mounting Feet</b>	pg. 157
----------------------	---------

#### Accessories

<b>Drain &amp; Breather Vents</b>	pg. 144, 146
<b>Hole Plugs</b>	pg. 145
<b>Assorted Hubs and Cord Grips</b>	pg. 145, 148
<b>All Other Accessories</b>	pg. 144 - 159

### W Modifications

<b>Custom Colors</b>	pg. 12 - 13
<b>Silk Screening</b>	pg. 12 - 13
<b>EMI/RFI Shielding</b>	pg. 12 - 13
<b>Custom Window</b>	pg. 12 - 13
<b>Custom Cutouts/Holes</b>	pg. 12 - 13



# HW

## Technical Specifications - Classic Window Series

CLW

Flush Bonded Window "HW" configuration - Hinged, 2 cover screws



**NOTES:**

### HW Construction

<b>Material</b>	Hot compression molded fiberglass reinforced polyester (thermoset)
<b>Gasket</b>	Poured polyurethane seamless gasket provides watertight, dust-tight environmental seal
<b>Recessed Screws</b>	No protruding surfaces
<b>Stainless Steel Hardware</b>	300 Series stainless used on all hardware
<b>Mounting Bosses</b>	Panel mounting capability for fixed rear panel
<b>Metal inserts</b>	All bosses utilize threaded brass inserts accepting 10-32 screws
<b>Soft Edge Design</b>	Rounded edges, minimal protrusions or exposed pocket areas for assembly of dust and debris
<b>Bonded Window</b>	Precision routed flush bonded Super Abrasion Resistant acrylic material for maximum visibility

### HW Industry Standards

<b>UL/cUL 50</b>	File E64358 Type 1, 3, 4X, 12
<b>NEMA 250</b>	Type 1, 3, 4X, 12
<b>CSA Std C22.2</b>	File LR069014 Type 1, 3, 4X, 12
<b>Temperature Range</b>	(-76° F to +274°F) (-60°C to +134°C)
<b>Flammability Rating</b>	UL94-5V
<b>Window Temperature Range</b>	(-26°F to +170°F) (-32°C to +76°C)
<b>Window Flammability Rating</b>	UL94-HB
<b>Self Extinguishing</b>	Non-halogenated, Non-flame propagating
<b>Chemical Resistance</b>	Full chemical resistance charts listed in appendix
<b>NFPA No. 101 Flame Spread</b>	Class A (1)

### HW Accessories

#### Back Panels

<b>Aluminum</b>	BP_AL	pg. 149 - 150
<b>Fiberglass</b>	BP_FG	pg. 149 - 150
<b>Stainless Steel</b>	BP_SS	pg. 149 - 150
<b>Carbon Steel</b>	BP_CS	pg. 149 - 150

#### Mounting Feet

<b>Mounting Feet</b>	pg. 157
----------------------	---------

#### Accessories

<b>Drain &amp; Breather Vents</b>	pg. 144, 146
<b>Hole Plugs</b>	pg. 145
<b>Assorted Hubs and Cord Grips</b>	pg. 145, 148
<b>All Other Accessories</b>	pg. 144 - 159

### HW Modifications

<b>Custom Colors</b>	pg. 12 - 13
<b>Silk Screening</b>	pg. 12 - 13
<b>EMI/RFI Shielding</b>	pg. 12 - 13
<b>Custom Window</b>	pg. 12 - 13
<b>Custom Cutouts/Holes</b>	pg. 12 - 13



# Technical Specifications - Classic Window Series

## Flush Bonded Window "HLL" configuration - Hinged, twist latch



### HLL Construction

<b>Material</b>	Hot compression molded fiberglass reinforced polyester (thermoset)
<b>Gasket</b>	Poured polyurethane seamless gasket provides watertight, dust-tight environmental seal
<b>Recessed Screws</b>	No protruding surfaces
<b>Stainless Steel Hardware</b>	300 Series stainless used on all hardware
<b>Mounting Bosses</b>	Panel mounting capability for fixed rear panel
<b>Metal inserts</b>	All bosses utilize threaded brass inserts accepting 10-32 screws
<b>Soft Edge Design</b>	Rounded edges, minimal protrusions or exposed pocket areas for assembly of dust and debris
<b>Bonded Window</b>	Precision routed flush bonded Super Abrasion Resistant acrylic material for maximum visibility

### HLL Industry Standards

<b>UL/cUL 50</b>	File E64358 Type 1, 3, 4X, 12
<b>NEMA 250</b>	Type 1, 3, 4X, 12
<b>CSA Std C22.2</b>	File LR069014 Type 1, 3, 4X, 12
<b>Temperature Range</b>	(-76° F to +274°F) (-60°C to +134°C)
<b>Flammability Rating</b>	UL94-5V
<b>Window Temperature Range</b>	(-26°F to +170°F) (-32°C to +76°C)
<b>Window Flammability Rating</b>	UL94-HB
<b>Self Extinguishing</b>	Non-halogenated, Non-flame propagating
<b>Chemical Resistance</b>	Full chemical resistance charts listed in appendix
<b>NFPA No. 101 Flame Spread</b>	Class A (1)

**NOTES:**

### HLL Accessories

#### Back Panels

<b>Aluminum</b>	BP_AL	pg. 149 - 150
<b>Fiberglass</b>	BP_FG	pg. 149 - 150
<b>Stainless Steel</b>	BP_SS	pg. 149 - 150
<b>Carbon Steel</b>	BP_CS	pg. 149 - 150

#### Mounting Feet

<b>Mounting Feet</b>	pg. 157
----------------------	---------

#### Accessories

<b>Drain &amp; Breather Vents</b>	pg. 144, 146
<b>Hole Plugs</b>	pg. 145
<b>Assorted Hubs and Cord Grips</b>	pg. 145, 148
<b>All Other Accessories</b>	pg. 144 - 159

### HLL Modifications

<b>Custom Colors</b>	pg. 12 - 13
<b>Silk Screening</b>	pg. 12 - 13
<b>EMI/RFI Shielding</b>	pg. 12 - 13
<b>Custom Window</b>	pg. 12 - 13
<b>Custom Cutouts/Holes</b>	pg. 12 - 13

# HPL

## Technical Specifications - Classic Window Series

CLW

"HPL" configuration - Hinged, padlock latch



**NOTES:**

### HPL Construction

<b>Material</b>	Hot compression molded fiberglass reinforced polyester (thermoset)
<b>Gasket</b>	Poured polyurethane seamless gasket provides watertight, dust-tight environmental seal
<b>Recessed Screws</b>	No protruding surfaces
<b>Stainless Steel Hardware</b>	300 Series stainless used on all hardware
<b>Mounting Bosses</b>	Panel mounting capability for fixed rear panel
<b>Metal inserts</b>	All bosses utilize threaded brass inserts accepting 10-32 screws
<b>Soft Edge Design</b>	Rounded edges, minimal protrusions or exposed pocket areas for assembly of dust and debris
<b>Bonded Window</b>	Precision routed flush bonded Super Abrasion Resistant acrylic material for maximum visibility

### HPL Industry Standards

<b>UL/cUL 50</b>	File E64358 Type 1, 3, 4X, 12
<b>NEMA 250</b>	Type 1, 3, 4X, 12
<b>CSA Std C22.2</b>	File LR069014 Type 1, 3, 4X, 12
<b>Temperature Range</b>	(-76° F to +274°F) (-60°C to +134°C)
<b>Flammability Rating</b>	UL94-5V
<b>Window Temperature Range</b>	(-26°F to +170°F) (-32°C to +76°C)
<b>Window Flammability Rating</b>	UL94-HB
<b>Self Extinguishing</b>	Non-halogenated, Non-flame propagating
<b>Chemical Resistance</b>	Full chemical resistance charts listed in appendix
<b>NFPA No. 101 Flame Spread</b>	Class A (1)

### HPL Accessories

#### Back Panels

<b>Aluminum</b>	BP_AL	pg. 149 - 150
<b>Fiberglass</b>	BP_FG	pg. 149 - 150
<b>Stainless Steel</b>	BP_SS	pg. 149 - 150
<b>Carbon Steel</b>	BP_CS	pg. 149 - 150

#### Mounting Feet

<b>Mounting Feet</b>	pg. 157
----------------------	---------

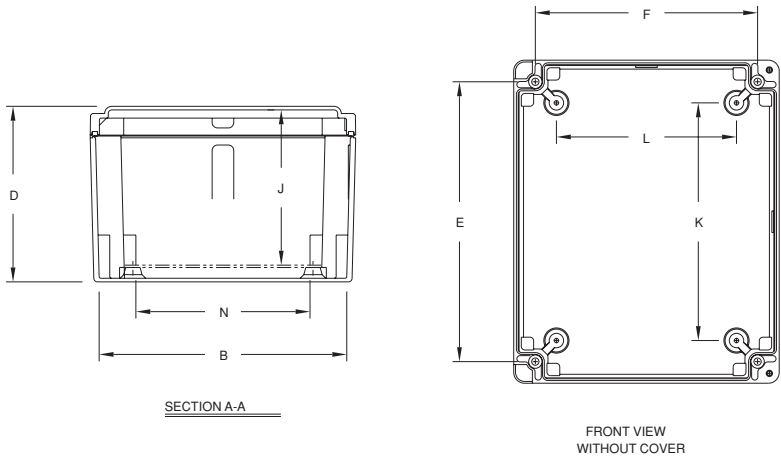
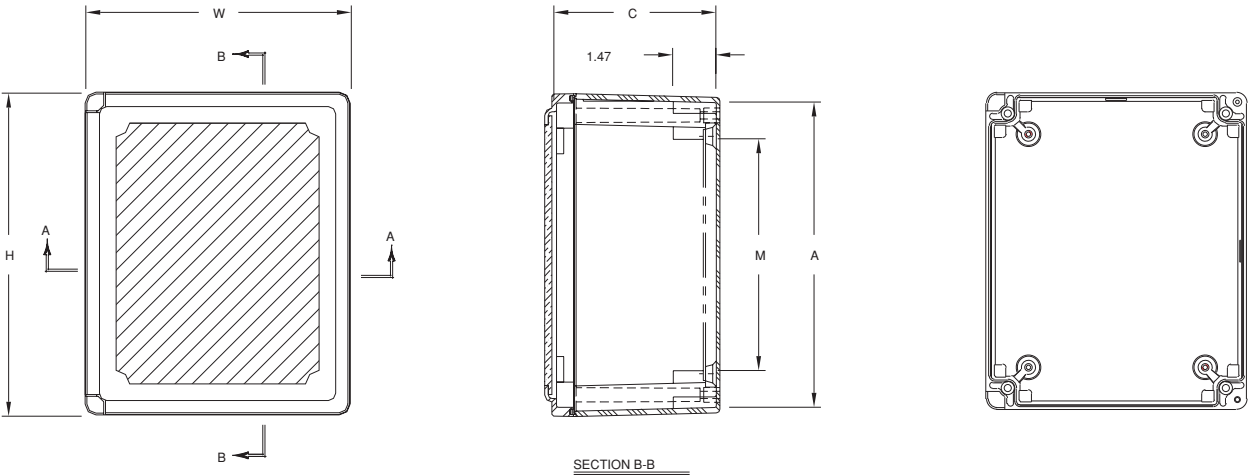
#### Accessories

<b>Drain &amp; Breather Vents</b>	pg. 144, 146
<b>Hole Plugs</b>	pg. 145
<b>Assorted Hubs and Cord Grips</b>	pg. 145, 148
<b>All Other Accessories</b>	pg. 144 - 159

### HPL Modifications

<b>Custom Colors</b>	pg. 12 - 13
<b>Silk Screening</b>	pg. 12 - 13
<b>EMI/RFI Shielding</b>	pg. 12 - 13
<b>Custom Window</b>	pg. 12 - 13
<b>Custom Cutouts/Holes</b>	pg. 12 - 13

Classic Window Series Technical Drawings



## Classic Window Series Flush Bonded Window Enclosures

Classic Window Series Flush Bonded Window Enclosures											
SIZE ID NUMBER	OVERALL H X W X D	INSIDE A X B X C	WINDOW AREA [MAXIMUM]	MOUNTING E X F	J	K	L	M	N	SHIPPING WEIGHT	PANEL NUMBER
CLW707HW CLW707HPL	7.21 x 7.21 x 5.09 (183 x 183 x 129)	6.65 x 6.65 x 4.84 (169 x 169 x 123)	5.06 x 5.06 (129 x 129)	5.71 x 5.71 (145 x 145)	4.39 (111)	4.25 (108)	4.25 (108)	4.04 (103)	4.04 (103)	4 lbs.	BP66*
CLW907HW CLW907HPL	9.21 x 7.21 x 5.09 (234 x 183 x 129)	8.59 x 6.59 x 4.84 (218 x 167 x 123)	7.06 x 5.06 (179 x 129)	7.71 x 5.71 (196 x 145)	4.39 (111)	6.25 (159)	4.25 (108)	6.04 (154)	4.04 (103)	4.3 lbs.	BP86*
CLW1109HW CLW1109HPL	11.21 x 9.21 x 6.09 (285 x 234 x 155)	10.59 x 8.59 x 5.84 (269 x 218 x 148)	9.06 x 7.06 (230 x 179)	9.71 x 7.71 (247 x 196)	5.39 (137)	8.25 (210)	6.25 (159)	8.04 (204)	6.04 (154)	6 lbs.	BP108*
CLW1311W CLW1311HW CLW1311HLL CLW1311HPL	13.21 x 11.21 x 6.59 (336 x 285 x 167)	12.59 x 10.59 x 6.34 (320 x 269 x 161)	11.06 x 9.06 (281 x 230)	11.71 x 9.71 (298 x 247)	5.89 (150)	10.25 (260)	8.25 (210)	10.04 (255)	8.04 (204)	7.8 lbs.	BP1210*
CLW1513HW CLW1513HLL CLW1513HPL	15.21 x 13.21 x 7.09 (386 x 336 x 180)	14.55 x 12.55 x 6.84 (370 x 319 x 174)	13.06 x 11.06 (332 x 281)	13.71 x 11.71 (348 x 298)	6.39 (162)	12.25 (311)	10.25 (260)	12.04 (306)	10.04 (255)	11.6 lbs.	BP1412*

Note: Hinge Short Side available; consult factory for details.  
 All measures are in inches, items in parentheses are in millimeters.  
 \*Panel ordered separately.