

# PASSIVE INFRARED LINE VOLTAGE CEILING SENSOR

CI-355

Architecturally appealing  
low profile appearance

360° coverage



Terminal wiring for quick and  
easy installation

Operates at 120, 230 (single  
phase), 277 or 347 VAC, 50/60 Hz

Walk-through mode increases  
savings potential



## DESCRIPTION

Wattstopper's CI-355 passive infrared (PIR) occupancy sensor automatically turns lighting on and off based on occupancy. The sensor mounts on the ceiling with a flat, low-profile appearance and provides 360 degrees of coverage.

## OPERATION

The CI-355 is line voltage and operates on a single phase at 120, 230, 277 or 347 VAC. The sensor uses passive infrared technology (PIR) to sense occupancy and automatically turn lighting on. PIR works by sensing the difference between infrared energy from a human body in motion and the background space. When no occupancy is detected for the length of the time delay, lighting automatically turns off.

## TIME DELAY OPTIONS

The CI-355 is factory set for a 20 minute time delay, ideal for both energy savings and user satisfaction in most applications. Installers can quickly select other fixed time delays (5, 10, 15 or 30 minutes) via DIP switches. Fixed time delays eliminate the occupant dissatisfaction associated with an automatically adjusted time delay option, and reduce callbacks. Walk-through mode may be enabled for added energy savings in spaces with frequent transient traffic.

## APPLICATIONS

The CI-355 works well in open office spaces, computer rooms, conference rooms, classrooms, and warehouses. It is a good choice for areas with high ceilings or with two-level lighting. The convenient mounting system keeps installation costs down. It also eliminates the need for a power pack by using line voltage wiring.

## FEATURES

- Advanced control logic based on RISC micro-controller provides:
  - Detection Signature Processing eliminates false triggers and provides immunity to RFI and EMI
  - Walk-through mode turns lights off 3 minutes after the area is initially occupied – ideal for brief visits such as mail delivery
  - Built-in light level sensor featuring simple, one-step set-up
- Zero-crossing for long relay life
- LED indicates occupancy detection
- DIP switch simplifies sensor adjustments
- Clip mounting system makes ceiling tile installation simple
- Uses existing line voltage wiring and doesn't require a power pack
- Sensor coverage tested to NEMA Guide Publication WD 7-2000

PROJECT

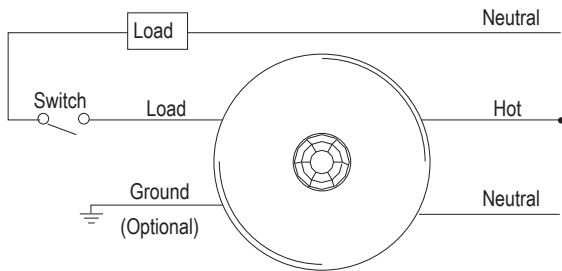
LOCATION/  
TYPE

## SPECIFICATIONS

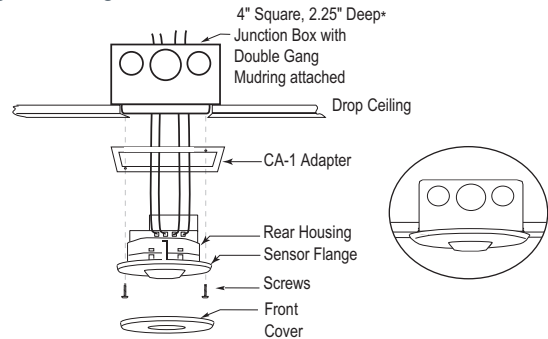
- 120/230 (single phase)/277/347 VAC, 50/60 Hz
- Time delays: 5, 10, 15, 20, or 30 minutes, walk-through, test-mode
- Multi-level, 360° Fresnel lens for superior occupancy detection
- Built-in light level sensor — works from 10 to 300 footcandles (107.6 to 3,229.2 lux)
- Sensitivity adjustment: PIR (high/low)
- Mounting options: 4 square junction box with double gang mudring; 4 inch octagonal j-box
- Dimensions: 4.5" diameter x 1.45" deep (114.3mm x 25.9mm)
- UL and cUL listed
- Five year warranty

## WIRING & MOUNTING

### Wiring Diagram

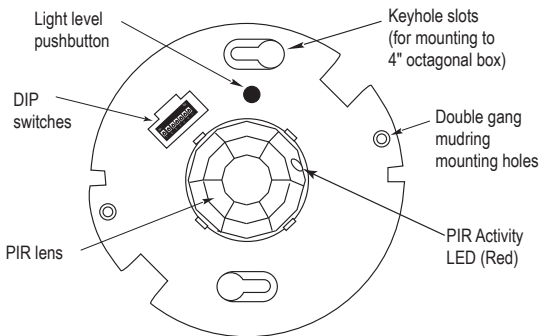


### Ceiling Mounting



## CONTROLS & SETTINGS

### Product Controls



### DIP Switch Settings

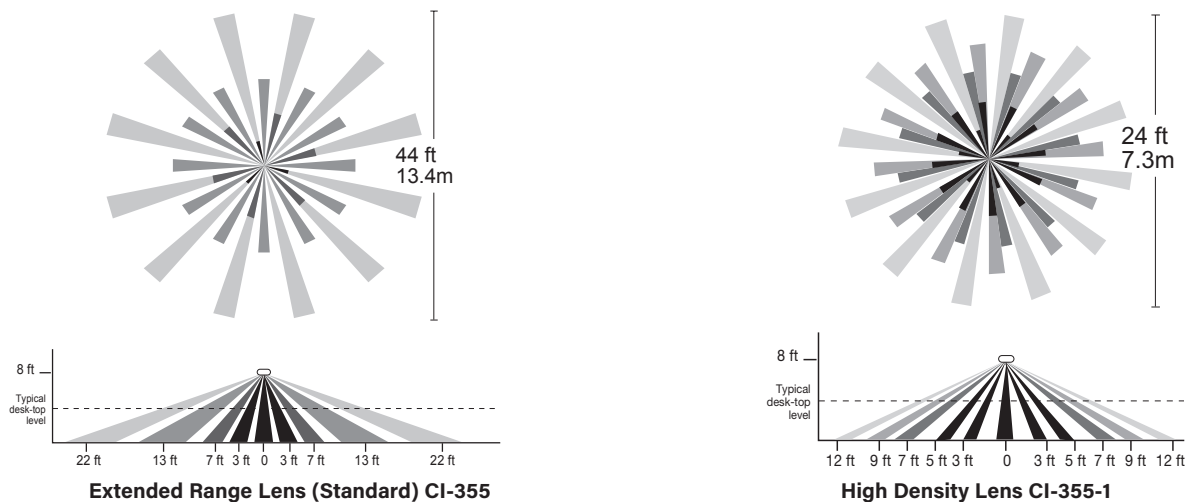
Feature	Switch#	1	2	3
Time Delay		1	2	3
Test Mode/20 min		↓	↓	↓
30 seconds		↓	↓	↑
5 minutes		↑	↑	↓
10 minutes		↓	↑	↑
15 minutes		↑	↓	↓
20 minutes		↑	↑	↑
25 minutes		↑	↑	↓
30 minutes		↑	↑	↑

◀ = Factory Setting  
 ▲ = ON  
 ▼ = OFF

Walk-Through	4	
Enabled		↑
Disabled		↓
PIR Sensitivity	5	
Minimum		↑
Maximum		↓
Service	6	
Service		↑
Normal		↓

## COVERAGE

### Coverage Patterns



## ORDERING INFORMATION

Catalog #	Voltage	Load Rating	Coverage
<input type="checkbox"/> CI-355	120 VAC, 50/60 Hz 230 VAC (single phase), 50/60 Hz 277 VAC, 50/60 Hz 347 VAC, 50/60 Hz	0-800W Ballast/Tungsten/LED 0-1200W Ballast/LED 0-1500W Ballast/LED	360°; up to 1200 ft <sup>2</sup> (111.5 m <sup>2</sup> )
<input type="checkbox"/> CI-355-1	120 VAC, 50/60 Hz 230 VAC (single phase), 50/60 Hz 277 VAC, 50/60 Hz 347 VAC, 50/60 Hz	0-800W Ballast/Tungsten/LED 0-1200W Ballast/LED 0-1500W Ballast/LED	360°; up to 500 ft <sup>2</sup> (46.5 m <sup>2</sup> )
<input type="checkbox"/> CA-1	Cosmetic adapter for ceiling installations with 4" square j-box or Wiremold #V5752 box		

Sensors are white.

# PASSIVE INFRARED LINE VOLTAGE CEILING SENSOR

CI-355

Architecturally appealing  
low profile appearance

360° coverage



Terminal wiring for quick and  
easy installation

Operates at 120, 230 (single  
phase), 277 or 347 VAC, 50/60 Hz

Walk-through mode increases  
savings potential



## DESCRIPTION

Wattstopper's CI-355 passive infrared (PIR) occupancy sensor automatically turns lighting on and off based on occupancy. The sensor mounts on the ceiling with a flat, low-profile appearance and provides 360 degrees of coverage.

## OPERATION

The CI-355 is line voltage and operates on a single phase at 120, 230, 277 or 347 VAC. The sensor uses passive infrared technology (PIR) to sense occupancy and automatically turn lighting on. PIR works by sensing the difference between infrared energy from a human body in motion and the background space. When no occupancy is detected for the length of the time delay, lighting automatically turns off.

## TIME DELAY OPTIONS

The CI-355 is factory set for a 20 minute time delay, ideal for both energy savings and user satisfaction in most applications. Installers can quickly select other fixed time delays (5, 10, 15 or 30 minutes) via DIP switches. Fixed time delays eliminate the occupant dissatisfaction associated with an automatically adjusted time delay option, and reduce callbacks. Walk-through mode may be enabled for added energy savings in spaces with frequent transient traffic.

## APPLICATIONS

The CI-355 works well in open office spaces, computer rooms, conference rooms, classrooms, and warehouses. It is a good choice for areas with high ceilings or with two-level lighting. The convenient mounting system keeps installation costs down. It also eliminates the need for a power pack by using line voltage wiring.

## FEATURES

- Advanced control logic based on RISC micro-controller provides:
  - Detection Signature Processing eliminates false triggers and provides immunity to RFI and EMI
  - Walk-through mode turns lights off 3 minutes after the area is initially occupied – ideal for brief visits such as mail delivery
  - Built-in light level sensor featuring simple, one-step set-up
- Zero-crossing for long relay life
- LED indicates occupancy detection
- DIP switch simplifies sensor adjustments
- Clip mounting system makes ceiling tile installation simple
- Uses existing line voltage wiring and doesn't require a power pack
- Sensor coverage tested to NEMA Guide Publication WD 7-2000

PROJECT

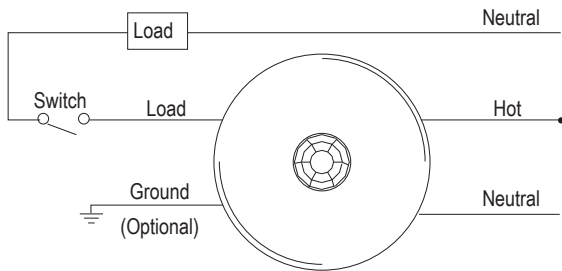
LOCATION/  
TYPE

## SPECIFICATIONS

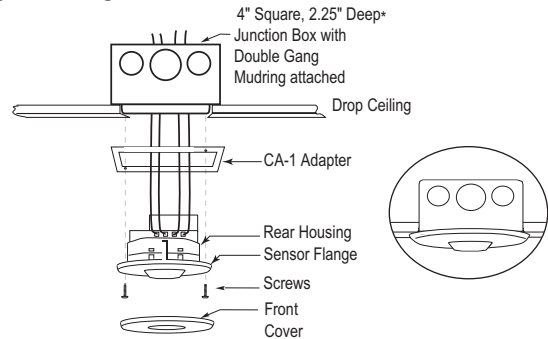
- 120/230 (single phase)/277/347 VAC, 50/60 Hz
- Time delays: 5, 10, 15, 20, or 30 minutes, walk-through, test-mode
- Multi-level, 360° Fresnel lens for superior occupancy detection
- Built-in light level sensor — works from 10 to 300 footcandles (107.6 to 3,229.2 lux)
- Sensitivity adjustment: PIR (high/low)
- Mounting options: 4 square junction box with double gang mudring; 4 inch octagonal j-box
- Dimensions: 4.5" diameter x 1.45" deep (114.3mm x 25.9mm)
- UL and cUL listed
- Five year warranty

## WIRING & MOUNTING

### Wiring Diagram

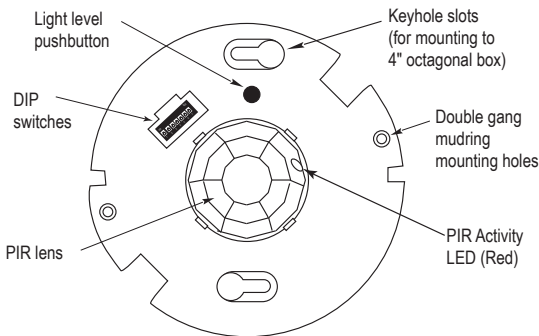


### Ceiling Mounting



## CONTROLS & SETTINGS

### Product Controls



### DIP Switch Settings

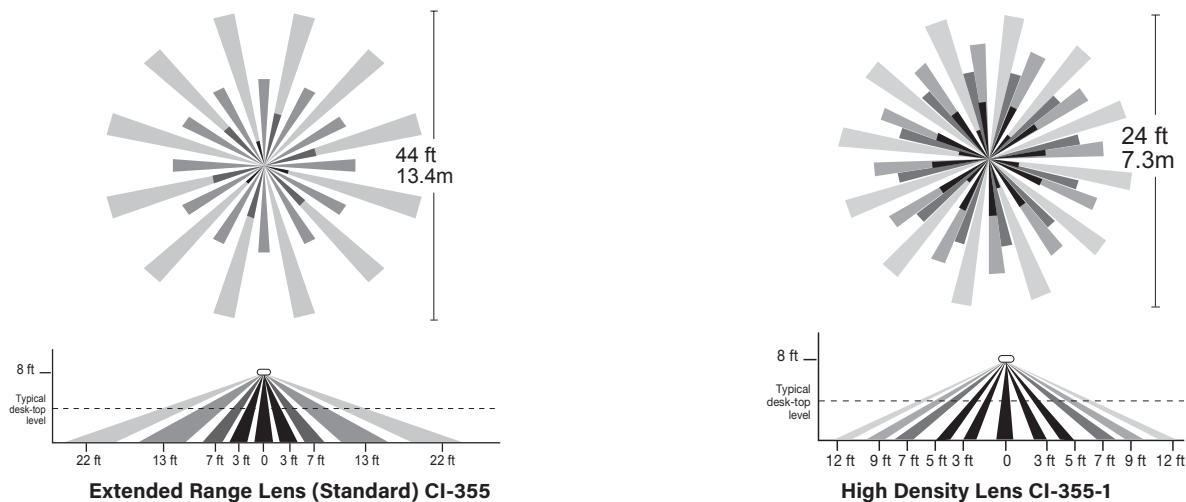
Feature	Switch#	1	2	3
Time Delay		1	2	3
Test Mode/20 min		↓	↓	↓
30 seconds		↓	↓	↑
5 minutes		↑	↑	↓
10 minutes		↓	↑	↑
15 minutes		↑	↓	↓
20 minutes		↑	↑	↑
25 minutes		↑	↑	↓
30 minutes		↑	↑	↑

◀ = Factory Setting  
 ▲ = ON  
 ▼ = OFF

Walk-Through	4	
Enabled		↑
Disabled		↓ ◀
PIR Sensitivity	5	
Minimum		↑
Maximum		↓ ◀
Service	6	
Service		↑
Normal		↓ ◀

## COVERAGE

### Coverage Patterns



## ORDERING INFORMATION

Catalog #	Voltage	Load Rating	Coverage
<input type="checkbox"/> CI-355	120 VAC, 50/60 Hz 230 VAC (single phase), 50/60 Hz 277 VAC, 50/60 Hz 347 VAC, 50/60 Hz	0-800W Ballast/Tungsten/LED 0-1200W Ballast/LED 0-1500W Ballast/LED	360°; up to 1200 ft <sup>2</sup> (111.5 m <sup>2</sup> )
<input type="checkbox"/> CI-355-1	120 VAC, 50/60 Hz 230 VAC (single phase), 50/60 Hz 277 VAC, 50/60 Hz 347 VAC, 50/60 Hz	0-800W Ballast/Tungsten/LED 0-1200W Ballast/LED 0-1500W Ballast/LED	360°; up to 500 ft <sup>2</sup> (46.5 m <sup>2</sup> )
<input type="checkbox"/> CA-1	Cosmetic adapter for ceiling installations with 4" square j-box or Wiremold #V5752 box		

Sensors are white.