



Wattstopper®

360° Passive Infrared Low Voltage Occupancy Sensor (version 5) with Manual On feature

Détecteur de mouvement basse tension à infra-rouge passif 360° (v5) avec marche en mode manuel

Sensor de ocupación con tecnología infrarroja pasiva de baja tensión 360° con función de encendido manual (v5)

Installation Instructions • Instructions d'Installation • Instrucciones de Instalación

No: 24054 – 09/20 rev. 2

Catalog Numbers • Les Numéros de Catalogue • Números de Catálogo: CI-305, CI-305-1

Country of Origin: Made in China • Pays d'origine: Fabriqué en Chine • País de origen: Hecho en China



SPECIFICATIONS

| | |
|--|--|
| Voltage | 18-28VDC/VAC, half wave rectified AC |
| Current Consumption | 10 mA |
| Power Supply | Wattstopper Power Packs |
| Operating Temperature | 32° to 131°F (0° to 55°C) |
| Time Delay Adjustment | 30 seconds to 30 minutes |
| Walk-Through Mode..... | 3 minutes if no activity after 30 sec. |
| Test Mode..... | 5 sec. upon DIP switch reset |
| PIR Coverage | |
| Model CI-305..... | up to 1200ft2 |
| Model CI-305-1 | up to 500ft2 |
| Sensitivity Adjustment | High or Low (DIP switch) |
| UL & CUL Listed for use with Wattstopper Power Packs | |

DESCRIPTION AND OPERATION

The Wattstopper CI-305 360° passive infrared (PIR) occupancy sensors turn lighting systems on and off based on occupancy.

The sensors can be configured to turn lighting on, and hold it on as long as the sensor detects occupancy. After no movement is detected for a user specified time (30 seconds to 30 minutes) the lights are switched off. A "walk-through" mode can turn lights off after only 3 minutes, if no activity is detected after 30 seconds of an occupancy detection.

The CI-305 operates on 24V supplied by Wattstopper Power Packs, 24VAC or half wave rectified AC.

PLACEMENT GUIDELINES

Depending upon obstacles such as furniture or partitions, the area of coverage may be less or more than the sensing distances shown in the coverage pattern. This must be considered when planning the number of sensors and their placement. It is also recommended to place the sensor 4 to 6 feet away from air supply ducts as rapid air currents or the differences in temperatures may cause false activations.

Mount the sensor to the ceiling. The CI-305 sensors are designed for a ceiling height of about 8-10 feet. Mounting above or below this range will significantly affect the coverage patterns. Be aware that as you decrease the mounting height, you decrease the range and increase the sensitivity to smaller motions. Conversely, when you increase the height, you increase the range and decrease the sensitivity to smaller motions. At heights of more than 12-14 feet, you may start to significantly reduce sensitivity. As a general rule, each occupant should be able to clearly view the sensor.

Often the best location to install a CI-305 in a closed office is off-center. Avoid placing a sensor directly in line with an open door through which it has a clear view out, as the sensor may detect people walking by.

Open Office Area Coverage

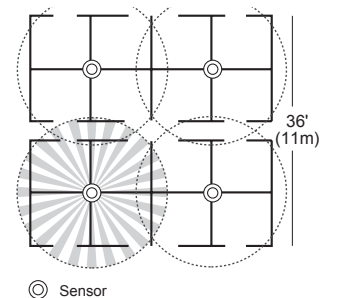
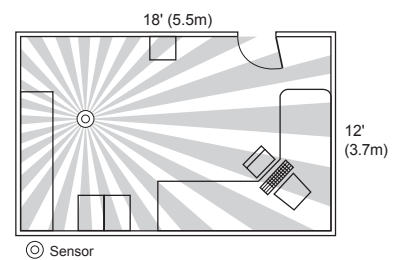
To get complete coverage in an open office area, install multiple sensors so that there is an overlap with each adjacent sensor's coverage area.

For open office areas with partitions it is best to place sensors over intersection of four workstations.

For large areas of coverage use multiple sensors.

Masking the PIR Lens

Opaque adhesive tape is supplied so that sections of the PIR lens can be masked. This restricts the sensor's view and allows you to eliminate PIR coverage in unwanted areas such as hallways outside of the desired coverage area. Since masking removes bands of coverage, remember to take this into account when troubleshooting coverage problems.



WIRING DIRECTIONS

Each Wattstopper BZ series power pack can supply power for 14 CI-305 sensors. When using more sensors than this, multiple power packs are required.

Refer to the wiring diagram for the following procedures:

Connect the **low voltage**:

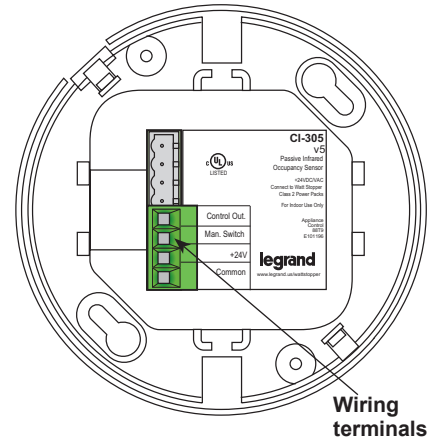
- RED wire (+24VDC) from power pack to the **+24V** terminal on the sensor.
- BLACK wire (Return) from power pack to **Common** terminal on the sensor.
- BLUE wire from power pack to **Control Out** terminal on sensor.

To add a manual switch such as the LVS-1 Momentary Toggle Switch, or RS2-3 Low Voltage Momentary Switch to the above applications—connect:

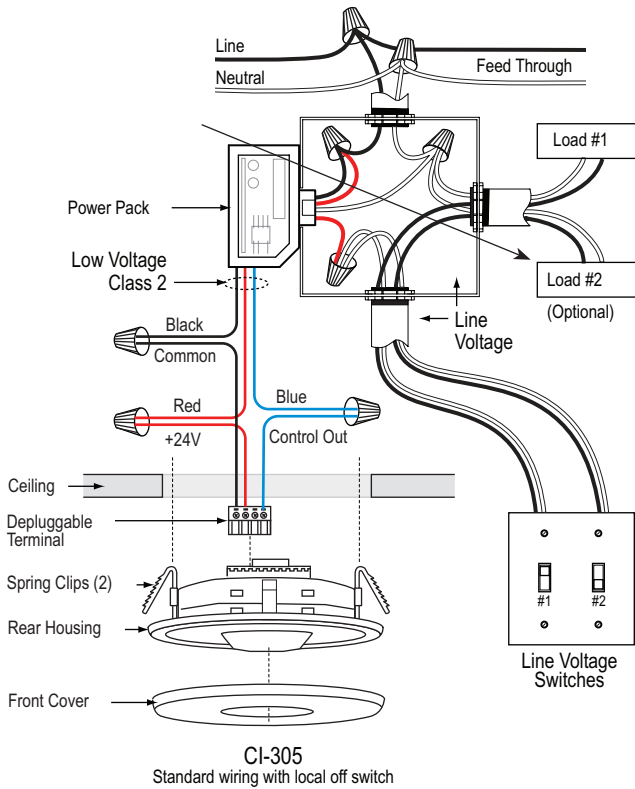
- Wire from one side of switch to +24 terminal on sensor.
- Wire from other side of switch to Man Switch terminal on sensor.

Care should be taken to separate high voltage power from low voltage (Class 2) control wiring.

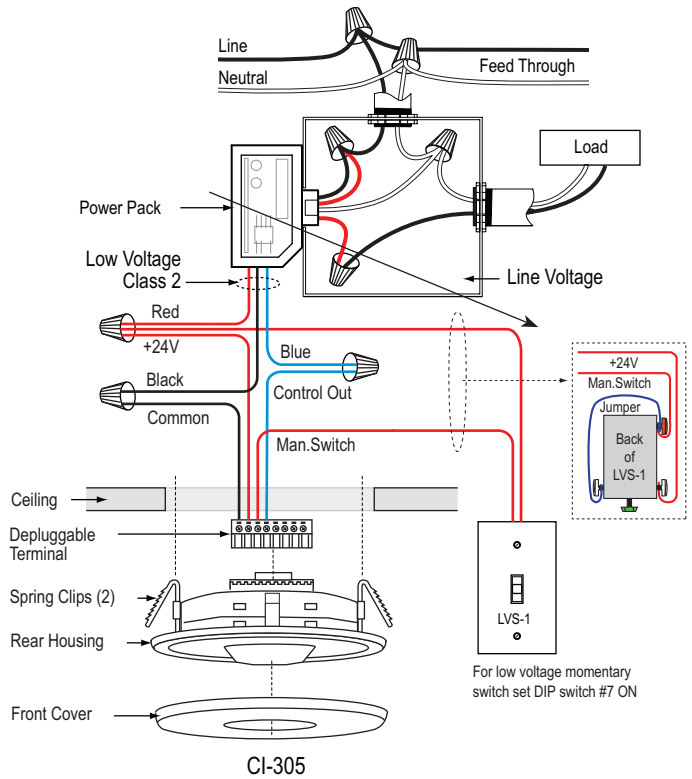
All connections to sensor are low voltage, Class 2.



Standard wiring with local off switch



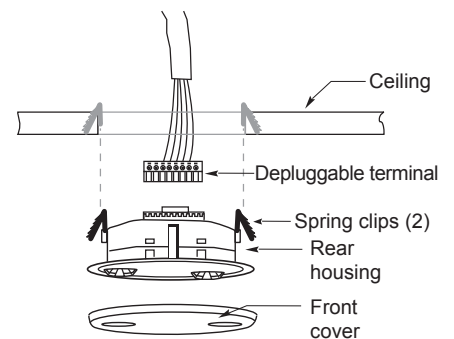
Manual-On wiring with low voltage momentary switch



MOUNTING THE SENSOR DIRECTLY TO CEILING

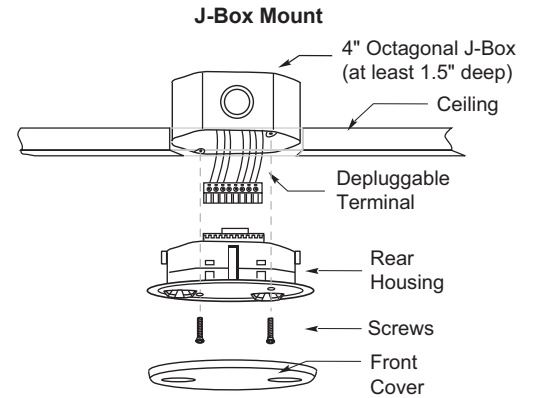
1. Attach the plastic spring clips to the edge of the sensor in the slots provided.
2. Cut a 3.5" to 4" round hole in the acoustic ceiling tile at the mounting location. A 3.5" hole is recommended for a secure fit.
3. Pull the low voltage wire from the power pack to the sensor through the hole.
4. Connect the low voltage wires to the appropriate terminals on the sensor.
5. Push the sensor up through the hole until the Spring Clips hold the sensor securely in place.
6. Snap the front cover onto the sensor. Using an Octagonal J-Box
7. Pull the low voltage wires from the power pack into the J-Box through the conduit knockout.

Ceiling Mount



Using an Octagonal J-Box

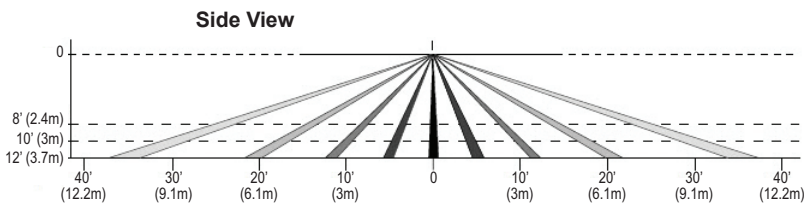
1. Pull the low voltage wires from the power pack into the J-Box through the conduit knockout.
2. Connect the low voltage wires to the appropriate terminals on the sensor.
3. Loosen the appliance mounting screws attached to the J-Box
4. Align the sensor in the J-Box so that the mounting screws on the box match the key holes on the sensor's rear housing.
5. Push the sensor up into the J-Box and twist it so that the mounting screws are seated in the keyhole slots.
6. Tighten the two screws to secure the sensor to the J-Box.
7. Snap the front cover onto the sensor.



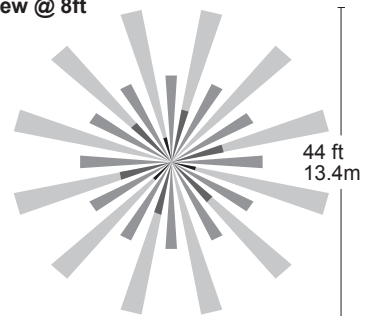
COVERAGE PATTERN

The CI-305 provides a 360° coverage pattern. Two lens patterns are available. The CI-305 provides up to 1200 square feet of coverage and the CI-305-1 provides up to 500 square feet of coverage. The coverage shown represents walking motion at a mounting height of 8 feet. For building spaces with lower levels of activity or with obstacles and barriers, coverage size may decrease.

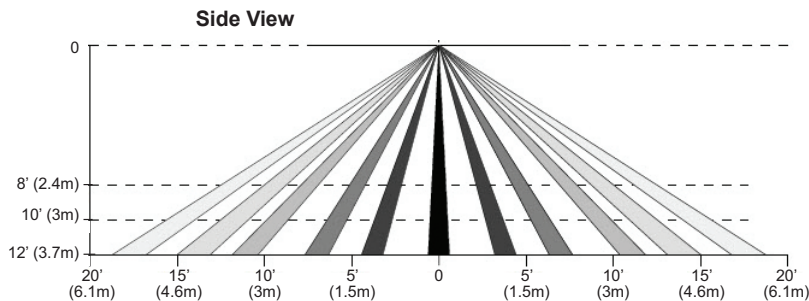
C-305 Coverage Pattern (Extended Range Lens – Standard)



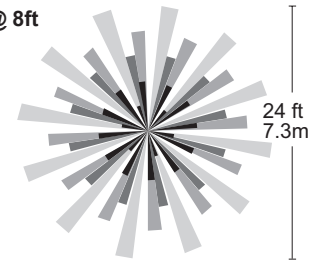
Top View @ 8ft



C-305 Coverage Pattern (High Density Reduced Range Lens)



Top View @ 8ft



SENSOR ADJUSTMENT

This unit is pre-set for basic operation as described in this guide. Adjustment is optional.

The sensors are factory preset to allow for quick installation in most applications. Verification of proper wiring or coverage, or customizing the sensor's settings can be done using the following procedures. To make adjustments, open the Front Cover by pulling on the cover tab.

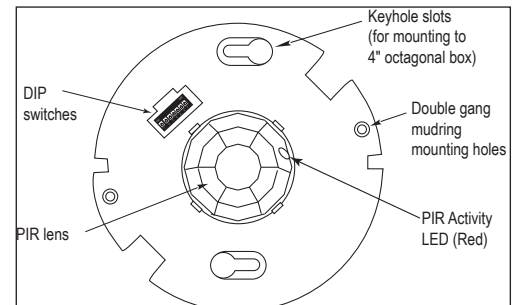
There is a 30 second warm-up period when power is first applied.

Before making adjustments, make sure the office furniture is installed, lighting circuits are turned on, and the HVAC systems are in the overridden/on position. VAV systems should be set to their highest airflow. Set the DIP switches to the desired settings. See **DIP Switch Setting**.

To Test Occupancy Sensors

1. Ensure the Time Delay is set for **Test Mode*** using the "Test Mode/20 minutes" setting. (DIP switches 1, 2, & 3 are **OFF**).
2. Remain still. The red LED should not flash. The lights should turn off after 5 seconds. (If not, see **Troubleshooting**.)
3. Move about the coverage area. The lights should come on.
4. When testing and adjustment are complete, reset DIP Switches to the desired settings, and replace the cover on the sensor.

* **Test Mode** is a temporary state that starts when you first set the sensor's DIP switches for the "Test Mode/20 minutes" (switches 1, 2, 3, **OFF**). If you need to invoke the **Test Mode** and the DIP switches are already set for Test Mode/20 minutes, toggle DIP switch 1 **ON** then back to the **OFF** position. This provides a 10 minute test period. During the test period, the Time Delay is only 5 seconds.



DIP SWITCH SETTING

The CI-305 has 7 DIP switches under the cover.

Time Delay: Switches 1, 2, 3

The sensor will hold the lights ON as long as occupancy is detected. The time delay countdown starts when no motion is detected. After no motion is detected for the length of the time delay, the sensor will turn the lights OFF.

Walk-Through Switch 4

Walk-through mode turns the lights OFF three minutes after the area is initially occupied, if no motion is detected after the first 30 seconds. If motion continues beyond the first 30 seconds, the selected time delay applies.

PIR Sensitivity: Switch 5

- Minimum forces a reduced detection range for the PIR.
- Maximum forces the sensitivity to the maximum coverage area. This setting is constantly updated.

Service: Switch 6

To override all sensor functions, set DIP switch 6 to the **ON** position. The red LED will come on and stay on for the duration of the override. This bypasses the occupancy control functions of the sensor, but still allows the lights to be manually controlled with a light switch, if one is installed.

On Mode: Switch 7

The Manual **ON** function is facilitated by installing a momentary switch such as a Wattstopper LVS-1 Momentary Toggle Switch, or RS2-3 Low Voltage Momentary Switch. This switch connects to the sensor's Manual (Man.) Switch and +24V terminals as shown in the wiring diagram. Each time the switch is pressed, the load changes state. The sensor's operation as related to the manually operated switch is determined by the setting for DIP switch 7.

Manual On: In this mode, the switch is required to turn on the load. The sensor is then used to keep the load on, based on occupant activity. After the time delay ends, if there is no movement detected within the 30 second re-trigger period the manual switch must be used to turn **ON** the load.

Automatic On: This mode uses occupancy as well as switch activation to turn the load **ON**. A manual switch provides the following additional functionality:

1. The load can be turned **ON** by manual switch activation and it stays on as long as occupancy is detected. The sensor time delay operates as programmed. When the load turns **OFF** due to lack of occupancy detection, the load can be turned **ON** again by occupancy detection or switch activation.
2. Activating the manual switch while the load is **ON** turns the load **OFF**.
 - When the load is turned **OFF** manually, as long as the sensor continues to detect occupancy the load stays **OFF**. For the selected time delay, the lights stay off and the sensor reverts to the automatic-on mode.
 - When the load is turned **OFF** manually, pressing the switch again turns the load **ON** and the sensor reverts to the automatic-on mode.
 - Once the sensor returns to automatic-on mode, either the switch or occupancy detection can turn the load **ON**.

DIP Switch Setting Chart

| | Switch# | | |
|------------------|---------|---|---|
| Time Delay | 1 | 2 | 3 |
| Test Mode/20 min | ↓ | ↓ | ↓ |
| 30 seconds | ↓ | ↓ | ↑ |
| 5 minutes | ↓ | ↑ | ↓ |
| 10 minutes | ↓ | ↑ | ↑ |
| 15 minutes | ↑ | ↓ | ↓ |
| 20 minutes | ↑ | ↓ | ↑ |
| 25 minutes | ↑ | ↑ | ↓ |
| 30 minutes | ↑ | ↑ | ↑ |
| Walk-Through | 4 | | |
| Enabled | ↑ | | |
| Disabled | ↓ ◀ | | |
| PIR Sensitivity | 5 | | |
| Minimum | ↑ | | |
| Maximum | ↓ ◀ | | |
| Service | 6 | | |
| Service | ↑ | | |
| Normal | ↓ ◀ | | |
| On Mode | 7 | | |
| Manual On | ↑ | | |
| Auto On | ↓ ◀ | | |

◀ = Factory Setting
 ↑ = ON
 ↓ = OFF

OVERLOAD PROTECTION

The occupancy sensor has a built in overload protection function that will automatically turn off the control output when the load current exceeds 200mA. The sensor LED will then blink rapidly (~ 10Hz) to provide a visual indication of an overload condition. When the load current is corrected or returns to normal, the control output will turn back on.

TROUBLESHOOTING

Lights do not turn ON with occupancy, and the following condition exists:

Red LED does not flash:

1. Check that the circuit breaker has been turned back on.
2. Check all sensor and power pack wire connections.
3. Check for 24V input to the sensor.
 - If 24V is present, replace the sensor.
 - If 24V is not present, check that high voltage is present to power pack.
 - If it is, replace power pack.
4. Make sure that PIR Sensitivity is set to minimum (DIP switch #5 set to on).
5. If it still does not flash, call 800.879.8585 for Technical Support.

LED flashes:

1. Check all sensor and power pack wire connection.
2. Check for 24VDC at the power pack's blue wire connection to sensor while sensor is activated. If there is no voltage, replace the sensor. If there is voltage, replace the power pack
3. If LED is flashing rapidly (~10Hz), an overload condition exists. When this is corrected, the sensor will return to normal operation. Check the blue wire connection. If necessary, replace the power pack.
 - Turn sensitivity and time delay to minimum and allow the sensor to time out.
 - If the lights turn off, the sensor is working properly (see number 1, above, and "Sensor Adjustment" for readjustment of sensor).

Line voltage switch connected as shown in wiring example.

1. Make sure switch is set to ON position.

Lights do not turn OFF automatically:

1. The sensor technology (PIR) may be experiencing activations from outside the controlled area or from some type of interference (see "Unwanted Sensor Activations" below).
2. Check all sensor and power pack wire connections.
3. Disconnect power pack's blue wire:
4. If the lights do not turn off, replace power pack.
5. Reconnect blue wire.
6. If the lights turn off, the problem may be in the sensor.
To check:
 - Reconnect the blue wire.
 - Turn sensitivity and time delay to minimum and allow the sensor to time out.
 - If the lights turn off, the sensor is working properly (see number 1, above, and "Sensor Adjustment" for readjustment of sensor).

ORDERING INFORMATION

| Catalog Number | Description |
|----------------|---|
| CI-305 | Passive Infrared Occupancy Sensor, Low Voltage, 360° lens, up to 1200 square ft. |
| CI-305-1 | Passive Infrared Occupancy Sensor, Low Voltage, 360° high density/reduced range lens, up to 500 square ft. |
| BZ-50/BZ-150 | Power Pack: 120/277VAC, 50/60Hz, 20A ballast or incandescent (BZ-150 with Hold-On and Hold-Off capability) |
| BZ-200/BZ-250 | Power Pack: 120/277VAC, 50/60 Hz, 20A Ballast/ELV/MLV/Incandescent/LED, 16A, E-Ballast/CFL/Plug Load, (BZ-250 with Hold-On and Hold-Off capability) |
| BZ-250-347 | Power Pack: 120/347VAC, 50/60 Hz, 16A Ballast/ELV/MLV/Incandescent/LED/ E-Ballast/CFL, 15A Plug Load, with Hold-On/Hold-Off capability |

All sensors are white.
BZ series power packs supply power for up to 14 CI-305 sensors.

INSTRUCTIONS EN FRANÇAIS

DESCRIPTION ET FONCTIONNEMENT

Les détecteurs de mouvement à infra-rouges passifs (IRP) Wattstopper CI-305 360° allument et éteignent les systèmes d'éclairage selon les niveaux de présence.

Les détecteurs peuvent être configurés pour allumer l'éclairage et le maintenir ainsi tant que le capteur détecte une présence. Si aucun mouvement n'est détecté pendant une durée spécifiée par l'utilisateur (30 secondes à 30 minutes), les lumières sont éteintes. Le mode « passage » permet d'éteindre les lumières au bout de 3 minutes seulement si aucun mouvement n'est détecté 30 secondes après la détection d'une présence.

Le détecteur CI-305 fonctionne sur une tension 24 V fournie par les blocs d'alimentation Wattstopper, une tension 24 VCA ou un courant alternatif redressé mono alternance.

CARACTÉRISTIQUES TECHNIQUES

| | |
|-------------------------------------|--|
| Tension ... | 18-28 V CC/V CA, courant alternatif redressé mono alternance |
| Consommation actuelle..... | 15 mA |
| Alimentation électrique..... | Blocs d'alimentation Wattstopper |
| Température de fonctionnement | 0 ° à 55 °C (32 ° à 131 °F) |
| Réglage de la temporisation..... | 30 secondes à 30 minutes |
| Mode passage..... | 3 minutes si aucune activité après 30 s |
| Mode test | 5 s après activation de l'interrupteur DIP |
| Couverture IRP | |
| Modèle CI-305..... | jusqu'à 1 200 pi. ² |
| Modèle CI-305-1 | jusqu'à 500 pi. ² |
| Réglage de la sensibilité | Haute ou basse (interrupteur DIP) |

UL & CUL listés pour une utilisation avec les blocs d'alimentation Wattstopper

INSTRUCTIONS DE PLACEMENT

En fonction des obstacles tels que des meubles ou des cloisons, la portée de l'appareil peut être réduite ou augmentée par rapport aux distances de perception illustrées dans le schéma de la portée. Cela doit être pris en compte dans le choix du nombre de détecteurs et de leur placement. Il est également recommandé de placer le détecteur à 1,2 ou 1,8 m (4 ou 6 pi.) des conduits d'aération car les courants d'air rapides ou les différences de températures peuvent déclencher de fausses activations.

Montez le détecteur sur le plafond. Les détecteurs CI-305 sont conçus pour une hauteur de plafond allant de 2,4 à 3,05 m (de 8 à 10 pi.). Placez-les à une hauteur supérieure ou inférieure à celle recommandée affectera de manière significative la portée de l'appareil. N'oubliez pas qu'en abaissant la hauteur de montage, vous diminuez la portée et augmentez la sensibilité aux petits mouvements. À l'inverse, lorsque vous augmentez la hauteur, vous augmentez la portée et diminuez la sensibilité aux petits mouvements. À des hauteurs supérieures à 3,7-4,3 m (12-14 pi.), vous commencez à réduire la sensibilité de manière significative. En règle générale, chaque occupant doit être capable de voir clairement le détecteur.

Souvent, l'emplacement idéal d'un CI-305 dans un bureau fermé est excentré. Évitez de placer un détecteur dans l'alignement direct d'une porte ouverte qui lui permettrait d'avoir une vision claire de l'extérieur, car le capteur pourrait détecter le mouvement des personnes qui passent.

Portée en espace ouvert

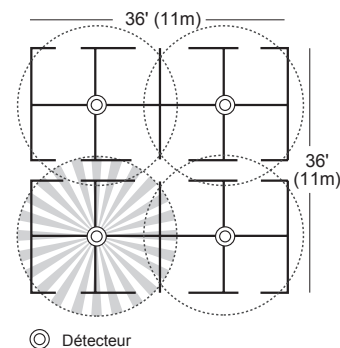
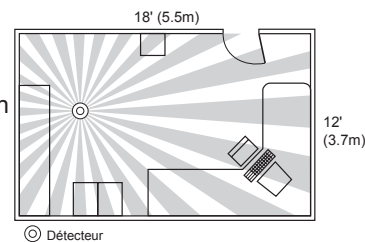
Pour obtenir une portée de détection complète dans une zone de bureau ouverte, installez plusieurs détecteurs de manière à obtenir un chevauchement entre les zones de portée de chaque détecteur adjacent.

Pour les zones de bureaux ouvertes avec des cloisons, il est préférable de placer les détecteurs au-dessus des intersections entre quatre postes de travail.

Pour les grandes zones de portée, utilisez plusieurs détecteurs.

Obstruction de la lentille IRP

Du ruban adhésif opaque est fourni de manière à pouvoir masquer des parties de la lentille IRP. Cela limite le champ de vision du détecteur et permet d'empêcher la portée de l'IRP dans les zones non désirées, telles que des couloirs hors de la zone de portée souhaitée. Étant donné que cette obstruction diminue la portée, n'oubliez pas d'en tenir compte en cas de dépannage des problèmes de portée.



INSTRUCTIONS DE CÂBLAGE

Chaque bloc d'alimentation de la série BZ de Wattstopper peut alimenter jusqu'à 14 détecteurs CI-305. Lorsque vous utilisez plus de 8 détecteurs, plusieurs blocs d'alimentation seront nécessaires.

Reportez-vous au schéma de câblage pour les procédures suivantes :

Raccordez la **basse tension** :

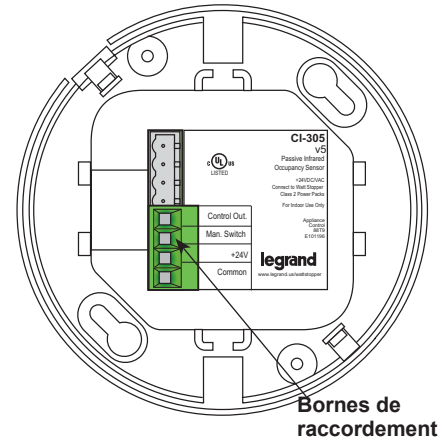
- Fil ROUGE (+ 24 VCC) du bloc d'alimentation à la borne **+ 24 V** du détecteur.
- Fil NOIR (retour) du bloc d'alimentation à la borne **Commune** du détecteur.
- Fil BLEU du bloc d'alimentation à la borne **Sortie régulation** du détecteur.

Pour ajouter un interrupteur manuel comme l'interrupteur pour réglage instantané LVS-1 ou l'interrupteur instantané basse tension RS2-3 aux applications ci-dessus, raccordez :

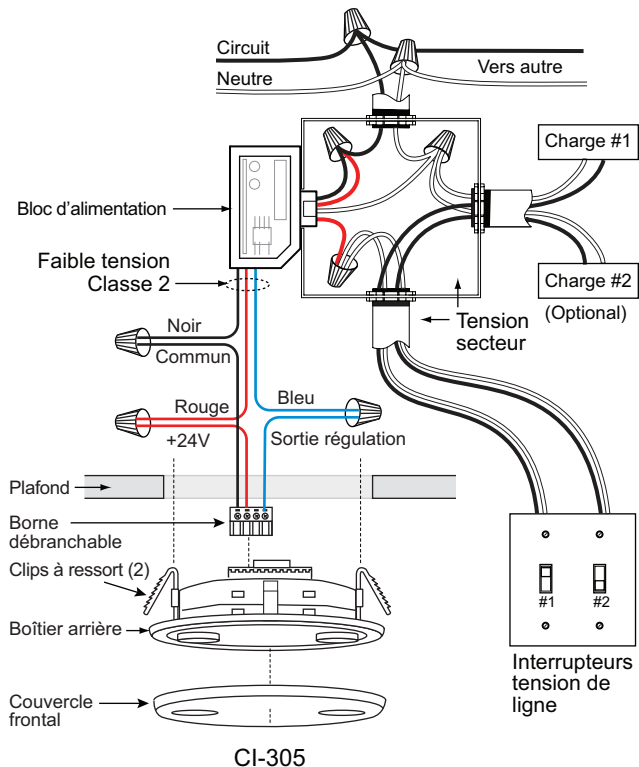
- le fil d'un côté de l'interrupteur à la borne + 24 V du détecteur.
- le fil de l'autre côté de l'interrupteur à la borne Interrupteur man. du détecteur.

Vous devez faire attention à séparer les fils haute tension du secteur des fils de régulation basse tension (classe 2).

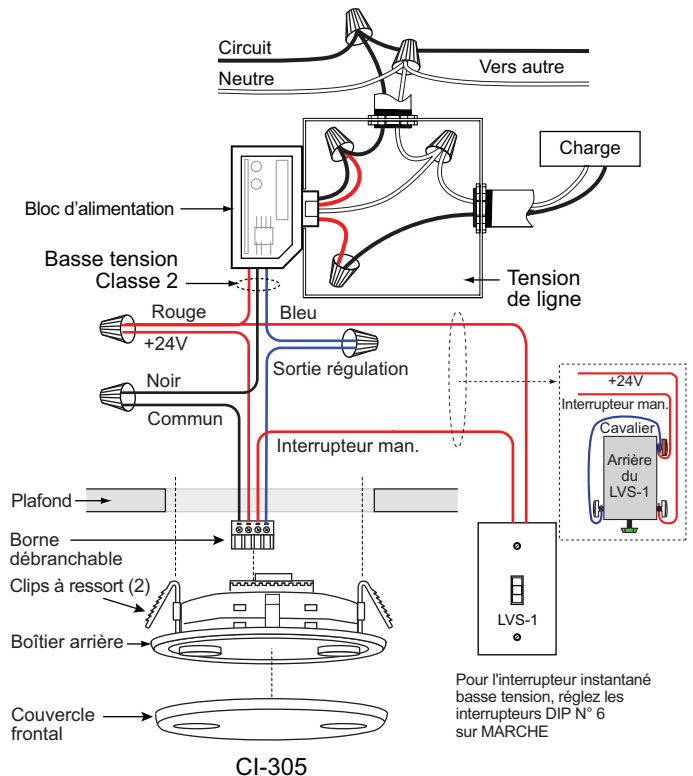
Tous les raccordements au capteur sont basse tension, classe 2.



Câblage standard avec interrupteur d'arrêt local



Câblage de la marche manuelle avec un interrupteur instantané basse tension

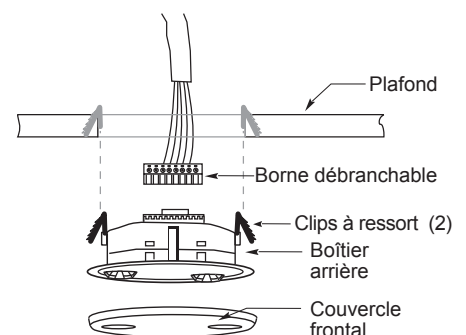


MONTAGE DU DÉTECTEUR

Directement sur le plafond

1. Fixez les clips à ressort en plastique sur les bords du détecteur dans les fentes prévues à cet effet.
2. Découpez un orifice rond de 8,9 à 10,2 cm (3,5 à 4 po.) dans la dalle du plafond acoustique au niveau de l'emplacement de montage. Un orifice de 8,9 cm (3,5 po.) est recommandé pour un bon maintien.
3. Faites passer les fils basse tension provenant du bloc d'alimentation vers le détecteur à travers l'orifice.
4. Branchez les fils basse tension aux bornes correspondantes du détecteur.
5. Soulevez le détecteur à travers l'orifice jusqu'à ce que les clips à ressort maintiennent le détecteur fermement en place.
6. Clipsez le couvercle frontal sur le détecteur.

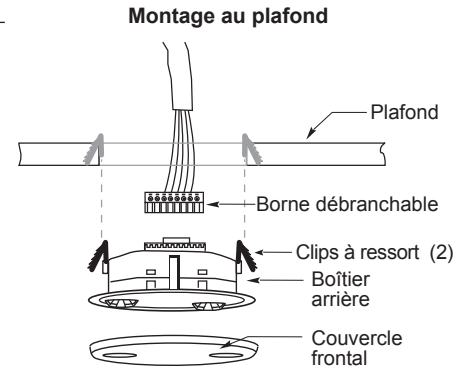
Montage au plafond



MONTAGE DU DÉTECTEUR

Directement sur le plafond

1. Fixez les clips à ressort en plastique sur les bords du détecteur dans les fentes prévues à cet effet.
2. Découpez un orifice rond de 8,9 à 10,2 cm (3,5 à 4 po.) dans la dalle du plafond acoustique au niveau de l'emplacement de montage. Un orifice de 8,9 cm (3,5 po.) est recommandé pour un bon maintien.
3. Faites passer les fils basse tension provenant du bloc d'alimentation vers le détecteur à travers l'orifice.
4. Branchez les fils basse tension aux bornes correspondantes du détecteur.
5. Soulevez le détecteur à travers l'orifice jusqu'à ce que les clips à ressort maintiennent le détecteur fermement en place.
6. Clipsez le couvercle frontal sur le détecteur.

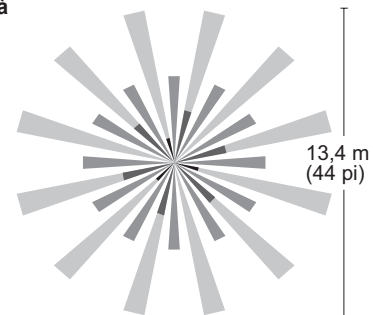
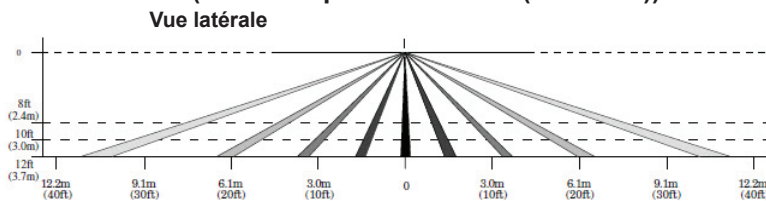


PORTÉE

Le CI-305 offre une portée à 360°. Deux modèles de mouvements de lentilles sont disponibles. Le CI-305 offre une portée jusqu'à 111 m² (1 200 pi²) et le CI-305-1 une portée jusqu'à 46 m² (500 pi²). La portée indiquée dans le schéma représente un mouvement de marche à une hauteur de 2,40 mètres (8 pieds). Pour les bâtiments avec une activité plus faible ou avec des obstacles et barrières, la zone de portée risque de diminuer. **Les schémas ci-dessous ne sont pas à l'échelle.**

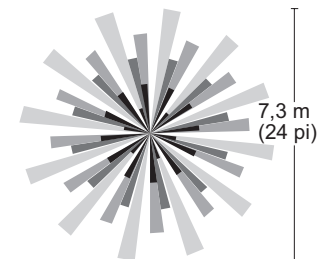
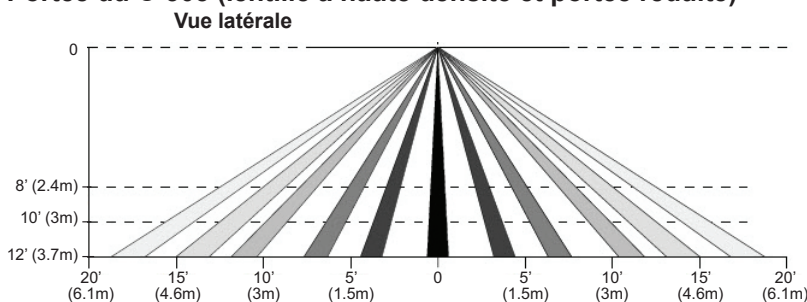
Portée du C-305 (Lentille à portée étendue (standard))

Vue de dessus à
2,40 m (8 pi.)



Portée du C-305 (lentille à haute densité et portée réduite)

Vue de dessus à
2,40 m (8 pi.)



RÉGLAGE DU DÉTECTEUR

L'unité est pré-réglée pour un fonctionnement de base, comme décrit dans ce guide. **LE RÉGLAGE EST OPTIONNEL.**

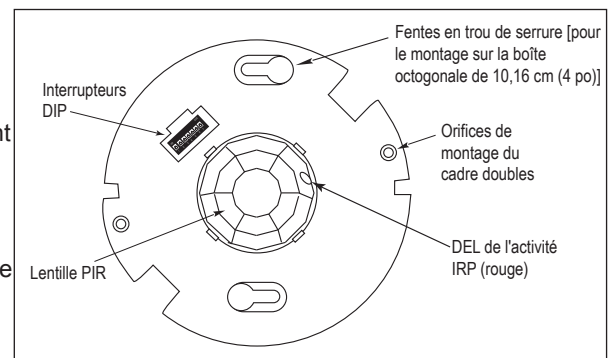
Les détecteurs sont pré-réglés en usine afin de vous permettre de l'installer rapidement dans la plupart des applications. Pour vérifier que le câblage ou la portée sont corrects, ou pour personnaliser les réglages du détecteur, suivez les procédures suivantes. Pour effectuer les réglages, ouvrez le couvercle frontal en tirant sur les pattes du couvercle.

Lorsque l'unité est mise sous tension pour la première fois, elle passe tout d'abord par une période de réchauffement de 30 secondes.

Avant d'effectuer des réglages, assurez-vous que les meubles de la zone de travail sont installés, que les circuits d'éclairage sont allumés et que les systèmes CVCA sont en position neutralisé/marche. Les systèmes DAV doivent être réglés sur le débit d'air le plus important. Réglez les interrupteurs DIP sur le réglage souhaité. Consultez « Régler les interrupteurs DIP », page suivante.

Pour tester les détecteurs de mouvement

1. Assurez-vous que la temporisation est réglée sur le **Mode test*** en utilisant le réglage « Mode test/20 minutes » (Interrupteurs DIP 1, 2 et 3 sur **ARRÊT**).
2. Restez immobile. La DEL rouge ne doit pas clignoter. Les lumières doivent normalement s'éteindre au bout de 5 secondes. (Dans le cas contraire, voir « Dépannage ».)
3. Déplacez-vous dans la zone de portée. Les lumières doivent s'allumer.
4. Lorsque le test et le réglage sont terminés, paramétrez de nouveau les interrupteurs DIP et le niveau de luminosité avec les réglages souhaités et remettez le couvercle sur le détecteur.



* **Le Mode Test** est un état temporaire qui démarre lorsque vous mettez les interrupteurs DIP du détecteur sur le « Mode test/20 minutes » pour la première fois (interrupteurs 1, 2 et 3 sur **ARRÊT**). Si vous avez besoin de lancer le **Mode test** et que les interrupteurs DIP sont déjà réglés sur « Mode test/20 minutes », faites basculer l'interrupteur DIP 1 sur **MARCHE**, puis de nouveau sur **ARRÊT**. Cette action fournit une période de test de 10 minutes. Pendant cette période de test, la temporisation n'est que de 5 secondes.

RÉGLAGE DE L'INTERRUPTEUR DIP

Le CI-305 possède 7 interrupteurs DIP sous le couvercle.

Temporisation : Interrupteurs 1, 2, 3

Le détecteur maintient les lumières **ALLUMÉES** tant qu'une présence est détectée. Le compte à rebours de temporisation démarre lorsqu'aucun mouvement n'est détecté. En l'absence de mouvement pendant toute la durée de la temporisation, le détecteur **ÉTEINT** les lumières.

Mode passage Interrupteur 4

Le mode passage **COUPE** l'éclairage trois minutes après la première détection de présence, si aucun mouvement n'est détecté après les 30 premières secondes. Si le mouvement persiste au-delà des 30 premières secondes, la temporisation sélectionnée se déclenche.

SENSIBILITÉ IRP : Interrupteur 5

- Minimum impose une réduction de la portée de détection de l'IRP.
- Maximum pousse la sensibilité à sa portée maximale. Ce réglage est constamment mis à jour.

Entretien : Interrupteur 6

Pour neutraliser toutes les fonctions du capteur, réglez l'interrupteur DIP 6 sur **MARCHE**. La DEL rouge s'allumera et restera allumée pendant toute la durée de la neutralisation.

Cette action court-circuite les fonctions de commande du niveau de luminosité et de détection de présence du détecteur mais permet à l'utilisateur de continuer à commander la lumière manuellement avec un interrupteur de lampe, un interrupteur basse tension ou un bouton de réglage du niveau de luminosité.

Mode Marche : Interrupteur 7

La fonction de **MARCHE** manuelle est rendue possible par l'installation d'un interrupteur instantané comme l'interrupteur instantané basse tension RS2-3 ou l'interrupteur à bascule instantané LVS-1 de Wattstopper. Cet interrupteur se connecte à l'interrupteur manuel (Man.) du détecteur et aux bornes + 24 V, comme indiqué dans le schéma de câblage. Chaque fois que vous appuyez sur l'interrupteur, la charge change d'état. Le fonctionnement du détecteur par rapport à l'interrupteur manuellement actionné est déterminé par le réglage de l'interrupteur DIP 7.

MARCHE manuelle : dans ce mode, l'interrupteur est nécessaire pour activer la charge. Le détecteur maintient ensuite la charge activée, en fonction de l'activité des occupants. Une fois la temporisation écoulée, si aucun mouvement n'est détecté pendant la période de redéclenchement de 30 secondes, l'interrupteur manuel doit être utilisé pour remettre la charge en **MARCHE**.

Automatique-MARCHE : ce mode se sert des déclenchements dus à la présence ainsi que de l'activation de l'interrupteur pour **ACTIVER** la charge. Un interrupteur manuel fournit les fonctionnalités supplémentaires suivantes :

1. La charge peut être **ACTIVÉE** à l'aide de l'interrupteur manuel et rester ainsi en fonction du réglage de la logique de présence. La temporisation du détecteur s'applique comme programmé. Lorsque la charge se **COUPE** en raison d'une absence de détection de présence, elle peut être **ACTIVÉE** de nouveau par une détection de présence ou par l'activation de l'interrupteur.
2. L'activation de l'interrupteur manuel tandis que la charge est **ACTIVÉE** a pour effet de **COUPER** la charge.
 - Lorsque la charge est **COUPÉE** manuellement, elle reste **COUPÉE** aussi longtemps que le détecteur continue de détecter une présence. Pour la temporisation sélectionnée, les lumières restent éteintes et le détecteur revient en mode marche automatique.
 - Lorsque la charge est **COUPÉE** manuellement, une nouvelle pression sur l'interrupteur **ACTIVE** la charge et le détecteur revient en mode marche automatique.
 - Une fois qu'il est revenu en mode marche automatique, soit l'interrupteur soit une détection de présence peut **ACTIVER** la charge.

| Temporisation | N° d'interrupteur | | |
|----------------------------|-------------------|---|---|
| | 1 | 2 | 3 |
| Mode Test/20 min | ↓ | ↓ | ↓ |
| 30 seconds | ↓ | ↓ | ↑ |
| 5 minutes | ↓ | ↑ | ↓ |
| 10 minutes | ↓ | ↑ | ↑ |
| 15 minutes | ↑ | ↓ | ↓ |
| 20 minutes | ↑ | ↓ | ↑ |
| 25 minutes | ↑ | ↑ | ↓ |
| 30 minutes | ↑ | ↑ | ↑ |
| Révision structurée | 4 | | |
| Activé | ↑ | | |
| Désactivé | ↓ | ◀ | |
| Sensibilité IRP | 5 | | |
| Minimum | ↑ | | |
| Maximum | ↓ | ◀ | |
| Service | 6 | | |
| Service | ↑ | | |
| Normal | ↓ | ◀ | |
| Mode Marche | 7 | | |
| Marche en mode manuel | ↑ | | |
| Marche en mode automatique | ↓ | ◀ | |

- ◀ = Paramètres d'usine
- ↑ = MARCHE
- ↓ = ARRÊT

PROTECTION CONTRE LA SURCHARGE

Le détecteur de mouvement a une fonction de protection contre la surcharge et coupe automatiquement la sortie régulation lorsque la charge dépasse 200 mA. La DEL du détecteur clignote alors rapidement (~ 10 Hz) pour donner une indication visuelle de la situation de surcharge. Lorsque le courant de charge est corrigé ou revient à la normale, la sortie de régulation reprend son fonctionnement.

DÉPANNAGE

Les lumières ne S'ALLUMENT pas en cas de présence, et la condition suivante est présente :

La DEL rouge ne clignote pas :

1. Vérifiez que le disjoncteur de circuit a bien été réenclenché.
2. Vérifiez tous les raccordements des fils du détecteur et du bloc d'alimentation.
3. Vérifiez que le capteur est raccordé à une tension de 24 V.
 - Si du 24 V est bien présent, remplacez le détecteur.
 - Si vous ne trouvez pas de 24 V, vérifiez la présence de haute tension au niveau du bloc d'alimentation. Si c'est le cas, remplacez le bloc d'alimentation.
4. Assurez-vous que la sensibilité IRP est réglée sur le minimum (interrupteur DIP 5 sur MARCHE).
5. Si la DEL ne clignote toujours pas, appelez le 800.879.8585 pour obtenir une assistance technique.

La DEL clignote :

1. Vérifiez tous les raccordements des fils du détecteur et du bloc d'alimentation.
2. Contrôlez la présence de 24 VCC au niveau des raccordements des fils bleu et noir du bloc d'alimentation sur le détecteur tandis que le détecteur est activé. En l'absence de tension, remplacez le détecteur. En présence de tension, remplacez le bloc d'alimentation.
3. Si la DEL clignote rapidement (~ 10 Hz), une situation de surcharge est présente. Une fois ce problème corrigé, le détecteur reprend son fonctionnement normal. Vérifiez le branchement du fil bleu. Si besoin, remplacez le bloc d'alimentation.

Interrupteur tension du secteur connecté, comme indiqué dans le schéma de câblage :

1. Assurez-vous que l'interrupteur est réglé sur MARCHE.

Les lumières ne S'ÉTEIGNENT pas automatiquement :

1. La technologie du détecteur (IRP) peut être activée par des mouvements hors de la zone contrôlée ou par d'autres types d'interférence (voir « Activations non voulues du capteur » ci-dessous).
2. Vérifiez tous les raccordements des fils du détecteur et du bloc d'alimentation.
3. Débranchez le fil bleu du bloc d'alimentation :
Si les lumières ne s'éteignent pas, remplacez le bloc d'alimentation. Rebranchez le fil bleu.
Si les lumières s'éteignent, le problème peut résider dans le détecteur. À vérifier :
 - Rebranchez le fil bleu.
 - Réglez la sensibilité et la temporisation sur leur minimum et laissez le détecteur atteindre la fin de la temporisation.
 - Si les lumières s'éteignent, le détecteur fonctionne correctement (voir numéro 1, ci-dessus, et « Réglage du détecteur » pour régler à nouveau le détecteur).

Activations non voulues du détecteur (DEL clignote) :

Placement inadéquat du détecteur ou cache inadapté provoquant une détection à l'extérieur de la zone de portée souhaitée.

1. Le réglage de la sensibilité IRP est peut-être trop élevé.
2. Le détecteur est placé trop près de conduits de CVCA ou DAV avec un débit d'air élevé.
3. Vérifiez que la fonction niveau de luminosité est bien activée.
 - Si la DEL de présence clignote à intervalles de quelques secondes, le détecteur utilise la fonction de niveau de luminosité.
 - Si la fonction de niveau de luminosité ne doit pas être utilisée, appuyez sur le bouton et maintenez-le enfoncé 5 secondes pour remettre le détecteur au réglage par défaut (maximum).

Solutions possibles :

- Obstruez la lentille pour réduire la couverture IRP (voir « **Obstruction de la lentille IRP** », sous « **Instructions de placement** »).
- Modifiez le réglage de la configuration logique. Reportez-vous à la rubrique **Interrupteurs DIP**.
- Déplacez le détecteur.

INFORMATIONS CONCERNANT LES COMMANDES

| Numéro de catalogue | Description |
|---------------------|--|
| CI-305 | Détecteur de mouvement IRP, basse tension, lentille 360°, jusqu'à 111 m ² (1 200 pi ²) |
| CI-305-1 | Détecteur de mouvement IRP, basse tension, lentille à haute densité et portée réduite 360°, jusqu'à 46 m ² (500 pi ²) |
| BZ-50/BZ-150 | Bloc d'alimentation: 120/277VCA, 50/60Hz, ballast ou incandescent 20A, (BZ-150 avec une capacité de Maintien de l'état marche/Maintien de l'arrêt) |
| BZ-200/BZ-250 | Bloc d'alimentation: 120/277VCA, 50/60 Hz, Ballast/ELV/MLV/Incandescent/DEL 20A, E-Ballast/CFL/Prise de courant 16A, (BZ-250 avec une capacité de Maintien de l'état marche/Maintien de l'arrêt) |
| BZ-250-347 | Bloc d'alimentation: 120/347VCA, 50/60 Hz, Ballast/ELV/MLV/Incandescent/DEL/ E-Ballast/CFL 16A, Prise de courant 15A, avec une capacité de Maintien de l'état marche/Maintien de l'arrêt |

Tous les détecteurs sont blancs. Les blocs d'alimentation de la série BZ peuvent alimenter jusqu'à 8 détecteurs CI-305.

INSTRUCCIONES EN ESPAÑOL

DESCRIPCIÓN Y FUNCIONAMIENTO

Los sensores de ocupación con tecnología infrarroja pasiva (PIR) de 360° CI-305 de Wattstopper encienden y apagan los sistemas de iluminación según la ocupación.

Los sensores pueden configurarse para encender la iluminación y mantenerla encendida siempre que el sensor detecte ocupación. Si no se detecta movimiento alguno durante el tiempo que especifica el usuario (30 segundos a 30 minutos), las luces se apagan. El modo de "recorrido" puede apagar las luces después de solo 3 minutos si no se detecta actividad después de 30 segundos de que se detecte ocupación.

El CI-305 opera con 24V suministrados por los paquetes de alimentación Wattstopper de 24 V CA o CA de media onda rectificada.

ESPECIFICACIONES

| | |
|------------------------------------|--|
| Voltaje..... | de 18-28 V CC/V CA o CA rectificada de media onda |
| Consumo de corriente..... | 15 mA |
| Fuente de alimentación..... | Paquetes de alimentación Wattstopper |
| Temperatura de funcionamiento..... | 0° a 55°C (32° a 131°F) |
| Ajuste del tiempo de demora..... | 30 segundos a 30 minutos |
| Modo de recorrido..... | 3 minutos si no hay actividad después de 30 segundos |
| Modo de prueba..... | 5 s en el restablecimiento del interruptor DIP |
| Modo de prueba..... | 5 s en el restablecimiento del interruptor DIP |
| Cobertura del PIR | |
| Modelo CI-305..... | hasta 1200 pies ² |
| Modelo CI-305-1..... | hasta 500 pies ² |
| Ajuste de sensibilidad..... | Alto o bajo (interruptor DIP) |

Calificado por UL y CUL para el uso con paquetes de alimentación Wattstopper

GUÍAS PARA LA COLOCACIÓN

Según los obstáculos, como muebles o divisiones, el área de cobertura puede ser menor o mayor que las distancias de detección que se muestran en el perfil de cobertura. Esto debe tenerse en cuenta cuando se planifica el número de sensores y su colocación. También se recomienda colocar el sensor entre 4 y 6 pies de distancia de los conductos de suministro de aire, dado que las rápidas corrientes de aire o las diferencias de temperatura pueden ocasionar falsas activaciones.

Montaje de sensor en cielo raso. Los sensores CI-305 están diseñados para una altura de cielo raso de aproximadamente 8 a 10 pies. El montaje por encima o por debajo de este rango afectará significativamente los perfiles de cobertura. Tenga en cuenta que a medida que disminuye la altura de montaje, disminuye el rango y aumenta la sensibilidad a movimientos más pequeños. Al contrario, cuando aumenta la altura, aumenta el rango y disminuye la sensibilidad a movimientos más pequeños. En alturas superiores a 12 y 14 pies, la sensibilidad quizás se reduzca de manera significativa. Como regla general, cada ocupante debería poder ver el sensor claramente.

A menudo, la mejor ubicación para instalar un CI-305 en una oficina cerrada es fuera del centro. No coloque el sensor directamente alineado con una puerta abierta que dé a una vista clara al exterior, dado que el sensor puede detectar a las personas que pasan caminando.

Cobertura de área abierta de oficina

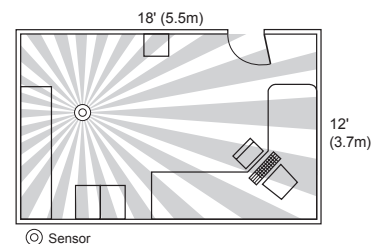
Para obtener una cobertura completa en un área abierta de oficina, instale varios sensores para que haya superposición con el área de cobertura de cada sensor adyacente.

Para las áreas de oficina abierta con divisiones, lo mejor es colocar los sensores sobre la intersección de cuatro estaciones de trabajo.

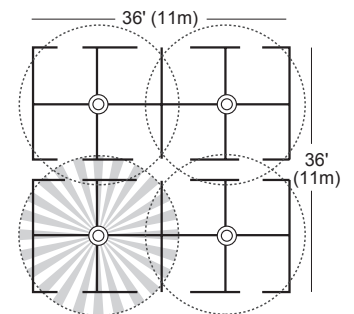
Para áreas de cobertura grandes, use múltiples sensores.

Enmascaramiento de la lente PIR

Se proporciona una cinta adhesiva opaca para que se puedan enmascarar secciones de la lente PIR. Esto restringe la visualización del sensor y permite eliminar la cobertura PIR en áreas no deseadas, como los vestíbulos que se encuentran fuera del área cubierta deseada. Dado que el enmascaramiento quita franjas de cobertura, téngalo en cuenta cuando intente resolver problemas de cobertura.



⊙ Sensor



⊙ Sensor

INSTRUCCIONES DE CABLEADO

Cada paquete de alimentación de la serie BZ de Wattstopper puede suministrar energía a 14 sensores CI-305. Cuando se utilicen más sensores, se necesitarán varios paquetes de alimentación.

Consulte el diagrama de cableado para los siguientes procedimientos:

Conecte el **bajo voltaje**:

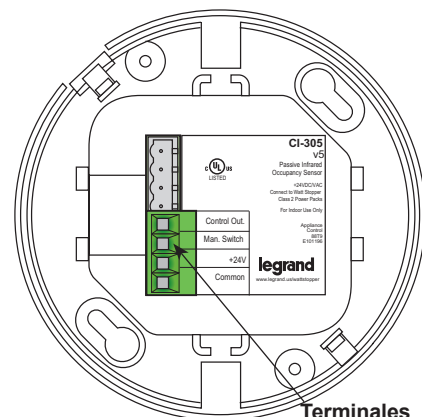
- Cable ROJO (+24 V CC) de la fuente de alimentación a la terminal de **+24V** del sensor.
- Cable NEGRO (retorno) de la fuente de alimentación a la terminal **común** del sensor.
- Cable AZUL de la fuente de alimentación a la terminal de **salida de control** del sensor.

Para agregar un interruptor manual como el interruptor momentáneo de palanca LVS-1 o el interruptor momentáneo de baja tensión RS2-3 a las aplicaciones anteriores, conecte:

- El cable de un lado del interruptor a la terminal de +24 del sensor.
- El cable del otro lado del interruptor a la terminal de interruptor man. del sensor.

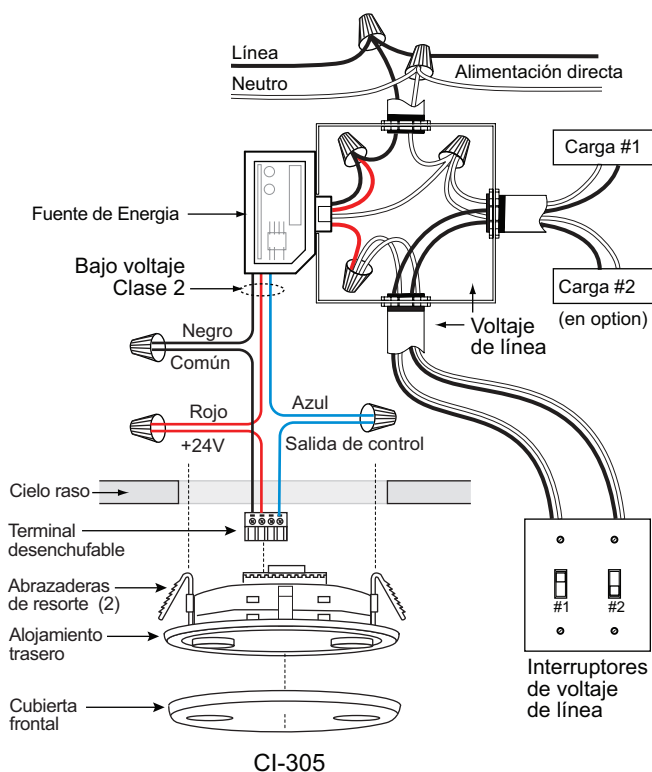
Se debe tener cuidado para separar la energía de alto voltaje del cableado de control de bajo voltaje (Clase 2).

Todas las conexiones que van al sensor son de bajo voltaje, Clase 2.

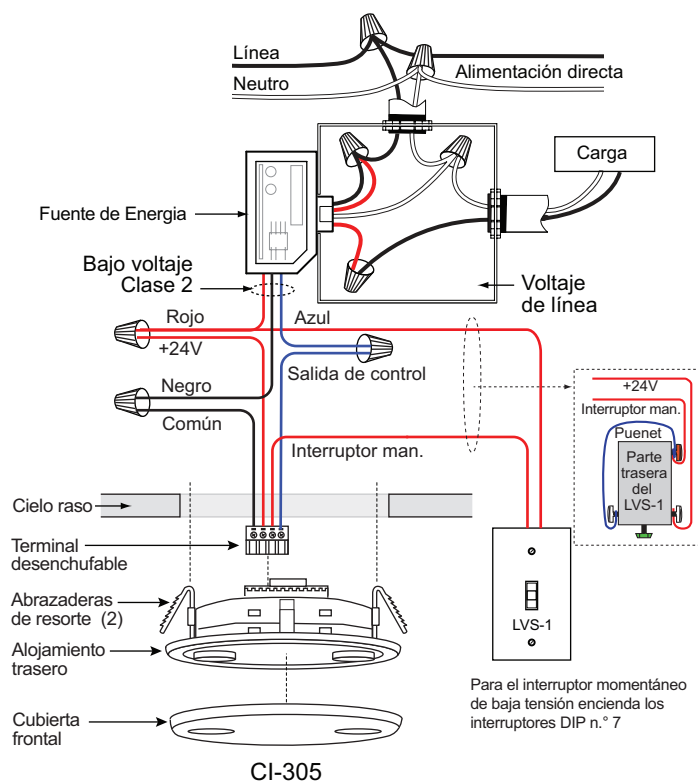


Terminales del cableado

Cableado estándar con interruptor de apagado local



Cableado de Encendido manual con interruptor momentáneo de bajo voltaje



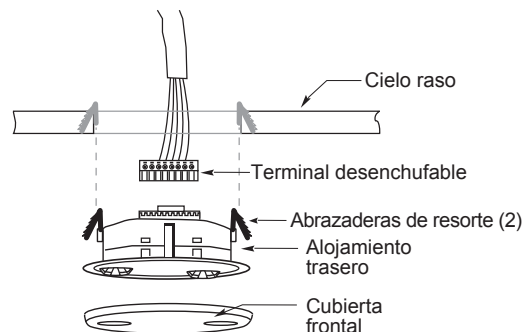
Para el interruptor momentáneo de baja tensión encienda los interruptores DIP n.º 7

MONTAJE DEL SENSOR

Directamente en cielo raso

1. Coloque las abrazaderas de resorte plásticas en el borde del sensor en las ranuras correspondientes.
2. Perfore un orificio redondo de 3,5" a 4" en la losa del cielo raso acústica en la ubicación del montaje. Se recomienda hacer un orificio redondo de 3,5" para que el calce sea seguro.
3. Pase el cable de bajo voltaje desde el paquete de alimentación hacia al sensor por el orificio.
4. Conecte los cables de bajo voltaje con las terminales correspondientes del sensor.
5. Eleve el sensor pasándolo por el orificio hasta que las abrazaderas de resorte sostengan con firmeza el sensor en su lugar.
6. Encastre la cubierta frontal en el sensor.

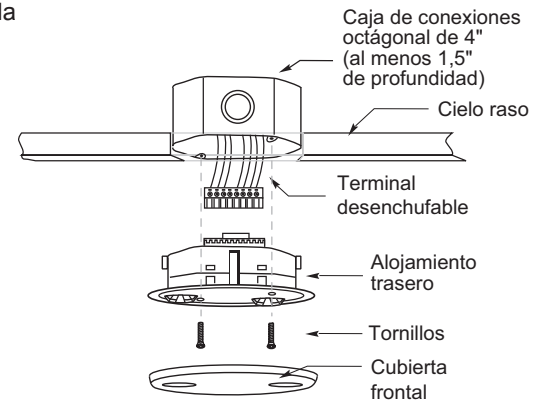
Montaje en techo



Uso de una caja de conexiones octágonal

1. Pase los cables de bajo voltaje desde la fuente de alimentación hacia dentro de la caja de conexiones por el troquel del conducto.
2. Conecte los cables de bajo voltaje con las terminales correspondientes del sensor.
3. Afloje los tornillos de montaje del dispositivo de la caja de conexiones.
4. Alinee el sensor en la caja de conexiones, de modo que los tornillos de montaje de la caja coincidan con los orificios del alojamiento trasero del sensor.
5. Introduzca el sensor en la caja de conexiones y gírela para que los tornillos de montaje se inserten en las ranuras de los orificios tipo bocallave.
6. Apriete los dos tornillos para fijar el sensor a la caja de conexiones.
7. Encastre la cubierta frontal en el sensor.

Montaje en caja de conexiones

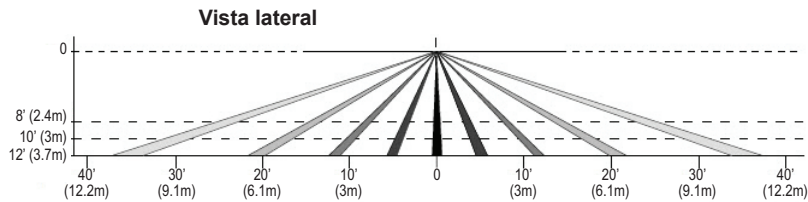


DIAGRAMAS DE COBERTURA

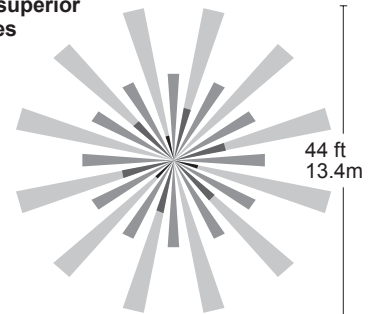
El CI-305 cuenta con lentes Fresnel multicelulares de varios niveles con un campo de visión de 360°. El sensor tiene dos opciones de perfiles de lentes. El lente de alcance extendido cubrirá hasta 1200 pis cuadrados cuando se monte desde 8 a 12 pis. El lente de alta densidad o alcance reducido cubrirá hasta 500 pis cuadrados cuando se monte desde 8 a 12 pis.

La cobertura que se muestra en los diagramas siguientes es el máximo y representa la cobertura de un movimiento de caminata de paso intermedio, sin barreras u obstáculos.

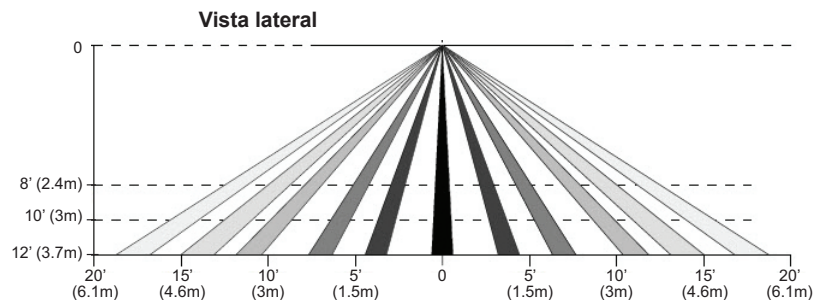
C-305 Coverage Pattern (Lente de alcance extendido – estándar)



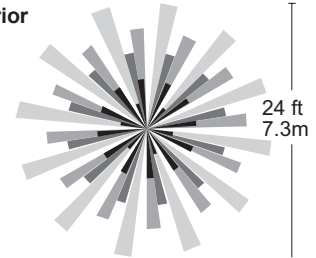
Vista superior a 8 pies



C-305 Coverage Pattern (Lente de alta densidad o de alcance reducido)



Vista superior a 8 pies



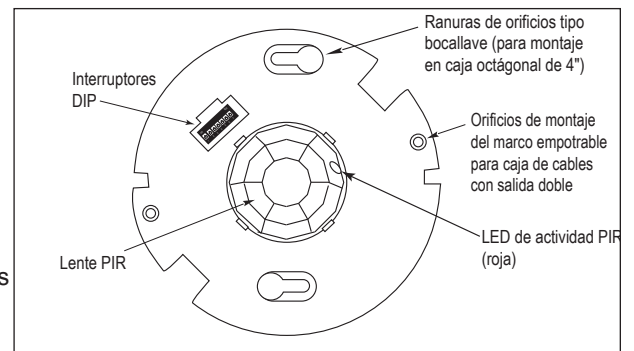
AJUSTE DEL SENSOR

Esta unidad se preconfigura en fábrica para el funcionamiento básico como se describe en esta guía. El ajuste es opcional.

Los sensores vienen con ajuste predeterminado de fábrica para permitir una instalación rápida en la mayoría de las aplicaciones. Con los siguientes procedimientos, se puede verificar que el cableado o la cobertura sean adecuados o personalizar los ajustes del sensor. Para hacer ajustes, abra la cubierta frontal.

Hay un período de calentamiento de 30 segundos cuando se aplica la alimentación por primera vez.

Antes de hacer ajustes, asegúrese de que los muebles de oficina estén instalados, de que los circuitos de iluminación estén encendidos y de que los sistemas de HVAC estén en la posición de anulación/encendido. Los sistemas VAV deben configurarse con su máximo caudal de aire. Configure los interruptores DIP en el valor deseado. Consulte "Configuración del interruptor DIP" en la página siguiente.



Para probar los sensores de ocupación

1. Asegúrese de que la demora de tiempo se configure para el **modo de prueba*** mediante la configuración “Modo de prueba/20 minutos”. (los interruptores DIP 1, 2 y 3 están **apagados**).
2. No se mueva. El LED rojo no debería destellar. Las luces deberían apagarse luego de 5 segundos. (En caso contrario, consulte “Solución de problemas”).
3. Trasládese por el área de cobertura. Las luces deberían encenderse.
4. Cuando haya finalizado con la prueba y el ajuste, restablezca los interruptores DIP y el nivel de luz a las configuraciones deseadas, y vuelva a colocar la cubierta en el sensor.

* **El modo de prueba** es un estado temporal que comienza cuando ajusta por primera vez los interruptores DIP del sensor para el “Modo de prueba/20 minutos” (interruptores 1, 2, 3 **apagados**). Si usted necesita seleccionar el **modo de prueba** y los interruptores DIP ya están configurados para el “Modo de prueba/20 minutos”, mueva el interruptor DIP 1 a la posición de **encendido** y, luego, a la posición de **apagado**. Esto proporciona un período de prueba de 10 minutos. Durante el período de prueba, la demora de tiempo es de solo 5 segundos.

CONFIGURACIÓN DEL INTERRUPTOR DIP

El sensor CI-305 tiene 7 interruptores DIP debajo de la cubierta.

Demora de tiempo: Interruptores 1, 2, 3

El sensor mantendrá las luces **encendidas** siempre y cuando se detecte una presencia. La cuenta regresiva de la demora de tiempo se inicia cuando no se detecta movimiento. Si no se detecta movimiento durante la duración de la demora de tiempo, el sensor apaga las luces.

Interruptor de recorrido 4

El modo de recorrido **apaga** las luces tres minutos después de que el área se ocupó inicialmente, si no se detecta movimiento después de los primeros 30 segundos. Si el movimiento continúa más allá de los primeros 30 segundos, se aplica la demora de tiempo seleccionada.

PIR Sensitivity (Sensibilidad PIR): Interruptor 5

- El mínimo obliga un rango de detección reducido para la tecnología PIR.
- El máximo obliga la sensibilidad al área de cobertura máxima. Esta configuración se actualiza constantemente.

Servicio: Interruptor 6

Para anular todas las funciones del sensor, configure el interruptor DIP 6 en la posición de **encendido**. El LED rojo aparecerá y permanecerá encendido durante la anulación.

Esto pasa por alto las funciones de nivel de luz y de control de detección de ocupación del sensor, pero aun así permite que las luces se puedan controlar de forma manual con un interruptor de luz, interruptor de baja tensión o el botón de nivel de luz.

Modo de encendido: Interruptor 7

La función de **encendido** manual se facilita instalando un interruptor momentáneo como el interruptor de palanca momentáneo LVS-1 Wattstopper o el interruptor momentáneo de bajo voltaje RS2-3. Este interruptor se conecta con la función Manual (Man.) del sensor. El interruptor y las terminales de +24 V se muestran en el diagrama del cableado. Cada vez que se presiona el interruptor, la carga cambia el estado. El funcionamiento del sensor en relación con el interruptor accionado manualmente se determina según la configuración del interruptor DIP 7.

Encendido manual: En este modo, se requiere el interruptor para encender la carga. Luego, el sensor se utiliza para mantener la carga activada, según la actividad de presencia. Después de finalizada la demora de tiempo, si no se detecta ningún movimiento dentro del período de reinicio de 30 segundos, se debe utilizar el interruptor manual para **encender** la carga.

Encendido automático: Este modo utiliza la ocupación así como la activación mediante interruptor para **encender** la carga. Un interruptor manual proporciona la siguiente funcionalidad adicional:

1. La carga puede encenderse con la activación del interruptor manual y permanece encendida según la configuración de lógica de presencia. La demora de tiempo del sensor funciona según lo programado. Cuando la carga se **apaga** a causa de la falta de detección de presencia, la carga puede volver a **encenderse** mediante la detección de presencia o mediante la activación del interruptor.
2. Si se activa el interruptor manual mientras la carga está **encendida**, esto **apaga** la carga.
 - Cuando se **apaga** la carga manualmente, siempre y cuando el sensor siga detectando la presencia, la carga se mantiene **apagada**. Para el retardo de tiempo seleccionado, las luces permanecen apagadas y el sensor vuelve al modo de encendido automático.
 - Cuando la carga se **apaga** manualmente, al presionar el interruptor nuevamente, la carga se **enciende** y el sensor se revierte al modo de encendido automático.
 - Una vez que el sensor vuelve al modo de encendido automático, el interruptor o la detección de presencia pueden **encender** la carga.

| Interruptor n.º | | | |
|-----------------------|-----|---|---|
| Tiempo de demora | 1 | 2 | 3 |
| Modo de prueba/20 min | ↓ | ↓ | ↓ |
| 30 segundos | ↓ | ↓ | ↑ |
| 5 minutos | ↓ | ↑ | ↓ |
| 10 minutos | ↓ | ↑ | ↑ |
| 15 minutos | ↑ | ↓ | ↓ |
| 20 minutos | ↑ | ↓ | ↑ |
| 25 minutos | ↑ | ↑ | ↓ |
| 30 minutos | ↑ | ↑ | ↑ |
| | | | |
| Recorrido | 4 | | |
| Activado | ↑ | | |
| Desactivado | ↓ ◀ | | |
| | | | |
| Sensibilidad PIR | 5 | | |
| Mínimo | ↑ | | |
| Máximo | ↓ ◀ | | |
| | | | |
| Servicio | 6 | | |
| Servicio | ↑ | | |
| Normal | ↓ ◀ | | |
| | | | |
| Modo de encendido | 7 | | |
| Encendido manual | ↑ | | |
| Encendido automático | ↓ ◀ | | |

- ◀ = Configuración de fábrica
- ↑ = ENCENDIDO
- ↓ = APAGADO

PROTECCIÓN CONTRA SOBRECARGA

El sensor de presencia tiene una función de protección contra sobrecarga integrada que apaga la salida del control automáticamente cuando la corriente de la carga supere 200 mA. La luz LED del sensor parpadeará rápidamente (~ 10 Hz) a fin de emitir una señal visual de una condición de sobrecarga. Cuando se corrija la corriente de la carga o vuelva al estado normal, la salida del control volverá a encenderse.

SOLUCIÓN DE PROBLEMAS

Las luces no se encienden con la ocupación, y existe la siguiente condición:

El LED rojo no destella:

1. Verifique que el disyuntor se haya encendido de nuevo.
2. Verifique todas las conexiones de cables del sensor y de la fuente de alimentación.
3. Compruebe la entrada de 24 V al sensor:
 - Si hay 24 V, cambie el sensor.
 - Si no hay 24 V, verifique que hay alto voltaje dirigido a la fuente de alimentación. Si es así, reemplace la fuente de alimentación.
4. Asegúrese de que la sensibilidad del PIR se configure al mínimo (interruptor DIP n.º 5 configurado en la posición de encendido).
5. Si sigue sin destellar, llame al 800.879.8585 para obtener servicio técnico.

El LED destella:

1. Verifique todas las conexiones de cables del sensor y de la fuente de alimentación.
2. Verifique que haya 24 V CC en las conexiones de los cables azul de la fuente de alimentación que van al sensor mientras el sensor está activo. Si no hay voltaje, cambie el sensor. Si hay voltaje, reemplace la fuente de alimentación.
3. Si la luz LED destella rápidamente (~10 Hz), hay una condición de sobrecarga. Cuando esta situación se corrige, el sensor vuelve a funcionar normalmente. Verifique la conexión del cable azul. Si es necesario, cambie la fuente de alimentación.

Interruptor de tensión de la línea conectado, como se muestra en el ejemplo de cableado:

1. Asegúrese que el interruptor esté configurado a la posición de encendido.

Las luces no se apagan automáticamente:

1. La tecnología (PIR) del sensor puede estar experimentando activaciones desde fuera del área controlada o desde algún tipo de interferencia (consulte "Activaciones no deseadas del sensor" a continuación).
2. Controle todas las conexiones de cables del sensor y de la fuente de alimentación.
3. Desconecte el cable azul de la fuente de alimentación:
 - Si las luces no se apagan, reemplace la fuente de alimentación. Vuelva a conectar el cable azul.
 - Si las luces se apagan, el problema puede estar en el sensor.
Para comprobar:
 - Vuelva a conectar el cable azul.
 - Vuelva la sensibilidad y la demora de tiempo al mínimo y permita que el sensor termine el tiempo de espera.
 - Si las luces se apagan, el sensor está funcionando correctamente (vea el número 1, arriba, "Ajuste del sensor" para el reajuste del sensor).

Activaciones no deseadas del sensor (el LED destella):

Una ubicación del sensor o un enmascaramiento no adecuados pueden provocar detección fuera del área de cobertura deseada.

1. La sensibilidad del PIR puede estar configurada demasiado alta.
2. Sensor situado demasiado cerca de los respiraderos de HVAC o de VAV con un flujo de aire fuerte.
3. Verifique que el nivel de luz esté activado.
 - Si el LED indicador de ocupación parpadea cada unos pocos segundos, el sensor está utilizando la función de nivel de luz.
 - Si no se desea la funcionalidad de nivel de luz, presiónela y manténgala presionada durante 5 segundos para volver el sensor a la configuración predeterminada (máximo).

Soluciones posibles:

- Enmascare el lente para reducir la cobertura del PIR (consulte **Enmascaramiento del lente PIR** que aparece dentro del título **Guías para la colocación**).
- Cambie el ajuste de configuración lógica, consulte **Interruptores DIP**.
- Reubique el sensor.

INFORMACIÓN PARA HACER PEDIDOS

| Número de catálogo | Descripción |
|--------------------|--|
| CI-305 | Sensor de ocupación PIR, baja tensión, lente 360°, hasta 1200 pies cuadrados |
| CI-305-1 | Sensor de ocupación PIR, baja tensión, lente de alta densidad/rango reducido de 360°, hasta 500 pies cuadrados |
| BZ-50/BZ-150 | Fuente de alimentación: 120/277VAC, 50/60Hz, balasto o carga incandescente de 20A, (BZ-150 con capacidad de Mantener encendido/Mantener apagado) |
| BZ-200/BZ-250 | Fuente de alimentación: 120/277VAC, 50/60 Hz, Balasto/ELV/MLV/Incandescente/LED de 20A, Balasto eléctrico/LFC/Carga del enchufe de 16A, (BZ-250 con capacidad de Mantener encendido/Mantener apagado) |
| BZ-250-347 | Fuente de alimentación: 120/347VAC, 50/60 Hz, Balasto/ELV/MLV/Incandescente/LED/ Balasto eléctrico/LFC de 16A, Carga del enchufe, con capacidad de Mantener encendido/Mantener apagado capability de 15A |

Todos los sensores son blancos. Las fuentes de alimentación de la serie BZ proporcionan alimentación para hasta 8 sensores CI-305.

WARRANTY INFORMATION

Wattstopper warrants its products to be free of defects in materials and workmanship for a period of five (5) years. There are no obligations or liabilities on the part of Wattstopper for consequential damages arising out of, or in connection with, the use or performance of this product or other indirect damages with respect to loss of property, revenue or profit, or cost of removal, installation or reinstallation.

INFORMATIONS RELATIVES À LA GARANTIE

Wattstopper garantit que ses produits sont exempts de défauts de matériaux et de fabrication pour une période de cinq (5) ans. Wattstopper ne peut être tenu responsable de tout dommage consécutif causé par ou lié à l'utilisation ou à la performance de ce produit ou tout autre dommage indirect lié à la perte de propriété, de revenus, ou de profits, ou aux coûts d'enlèvement, d'installation ou de réinstallation.

INFORMACIÓN DE LA GARANTÍA

Wattstopper garantiza que sus productos están libres de defectos en materiales y mano de obra por un período de cinco (5) años. No existen obligaciones ni responsabilidades por parte de Wattstopper por daños consecuentes que se deriven o estén relacionados con el uso o el rendimiento de este producto u otros daños indirectos con respecto a la pérdida de propiedad, renta o ganancias, o al costo de extracción, instalación o reinstalación.