

Power Pedestals



Construction Site and RV Parks



Marina Power and Lighting



Mobile Home Panels

- 5.1 Introduction**
 - Product Description V1-T5-2
 - Application Description V1-T5-2
 - Optional Features V1-T5-2
- 5.2 Temporary Power/RV Park**
 - Product Overview V1-T5-3
 - Product Description V1-T5-3
 - Application Description V1-T5-4
 - Features and Benefits V1-T5-4
 - Standards and Certifications V1-T5-5
 - Catalog Number Selection V1-T5-6
 - Product Selection V1-T5-7
 - Accessories V1-T5-7
 - Renewal Parts V1-T5-8
 - Surface Units V1-T5-10
 - Product Overview V1-T5-10
 - Product Selection V1-T5-10
 - Dimensions V1-T5-13
 - Pedestal Units V1-T5-16
 - Product Overview V1-T5-16
 - Product Selection V1-T5-16
 - Dimensions V1-T5-18
- 5.3 Mobile Home Panels**
 - Product Overview V1-T5-21
 - Features V1-T5-21
 - Catalog Number Selection V1-T5-22
 - Product Selection V1-T5-22
 - Accessories V1-T5-23
 - Dimensions V1-T5-24
- 5.4 RV Park Hook-Ups**
 - Power Pedestals V1-T5-28
 - Powerhouse Power Pedestal V1-T5-30
 - Powerhouse—Stainless Steel (SS) Power Pedestal V1-T5-33
 - Newport Camp Mate Power Pedestal V1-T5-36
 - Park Light Power Pedestal V1-T5-39
 - Firehouse V1-T5-42
 - Digital Electronic Kilowatthour Meters V1-T5-44
 - Distribution Equipment—Ground Fault Monitor V1-T5-45
 - Distribution Equipment—Substations V1-T5-46
 - Distribution Equipment—Panels V1-T5-49
 - Distribution Equipment—Transformers V1-T5-50
- 5.5 Marina Power and Lighting Equipment**
 - Power Pedestals V1-T5-51
 - Lighthouse V1-T5-54
 - Lighthouse—SS V1-T5-58
 - Admiral—SS V1-T5-62
 - Newport Harbor Mate V1-T5-65
 - Hatteras Light V1-T5-69
 - Firehouse V1-T5-73
 - Smart Start V1-T5-79
 - Mariner V1-T5-80
 - Digital Electronic Kilowatthour Meters V1-T5-81
 - Distribution Equipment—Ground Fault Monitor V1-T5-82
 - Distribution Equipment—Mega Yacht Powerpoint V1-T5-83
 - Distribution Equipment—Substations V1-T5-86
 - Distribution Equipment—Panels V1-T5-89
 - Distribution Equipment—Transformers V1-T5-90

Don't Give Up!
If you don't find the product you want in this catalog, try the Flex Center at **1-800-330-6479**.

Power Pedestals



Contents

Description

Introduction

Product Description

A power pedestal is a device designed for outdoor service to meet temporary power requirements at construction sites, marinas, recreational vehicle (RV parks, marinas and mobile home parks). Power pedestals provide a safe and reliable means for users to access electricity at such locations.

Application Description

Construction Site and RV Parks

Power outlet panels on construction sites and in RV parks provide a safe and reliable means for users to access electricity. A wide range of products are available with multiple features and enclosure material options.

Mobile Home Panels

Eaton's versatile mobile home panels have a user-friendly design that allows for a faster, cleaner installation. Mobile home panels are designed for service entrance distribution, and include a meter and distribution section with breaker and receptacle configuration options.

Optional Features

- Product can ship from the factory completely assembled and prewired
- External light
- TV and telephone jacks
- Ground fault monitors
- Digital electronic kilowatt-hour meters
- Water faucet
- Available GFI (ground fault interrupter) protection
- Weatherproof engineered resin enclosure (will never rust or deteriorate)
- Stainless steel to meet and exceed all applicable codes, and withstand harsh inland and coastal environments



Construction Site and RV Parks



Mobile Home Panels

Marina Power and Lighting

Park lighting and marina pedestals offer robust enclosure options with premium features to enhance user convenience at marinas and campgrounds.



Marina Power and Lighting

Power Outlet Panels



Product Overview

A power outlet panel (or POP) is a device designed for outdoor service to meet temporary power requirements at construction sites and RV parks. POPs provide a safe and reliable means for users to access electricity at such locations.

Product Description

Power outlet panels shall be designed for outdoor service to meet temporary power outlet requirements at construction sites and provide high quality, economical power to individual sites at RV parks. POPs shall be provided with means to bond the neutral for temporary service entrance applications. RV panels shall have a factory-installed insulated neutral bar.

Receptacles and Circuit Protection

Circuit protection shall be Eaton’s UL listed full-size Type BR or half-size Type BD circuit breakers. The receptacles shall be NEMA commercial/industrial grade devices. Ground fault protection (GFCB) shall be provided at the 20 A duplex NEMA 5-20R receptacle or 20 A single-pole circuit breaker when required. Ground fault protection shall be provided at the circuit breaker for receptacles above 20 A when required.

Contents

Description

	<i>Page</i>
Product Overview	V1-T5-3
Application Description	V1-T5-4
Features and Benefits	V1-T5-4
Standards and Certifications	V1-T5-5
Catalog Number Selection	V1-T5-6
Product Selection	V1-T5-7
Accessories	V1-T5-7
Renewal Parts	V1-T5-8
Surface Units	V1-T5-10
Pedestal Units	V1-T5-16

Construction

The power outlet panel pedestal shall be of deadfront design and constructed of heavy gauge, 100 percent galvanized steel. Baked-on polyester powder coating shall be used for excellent mechanical strength, plus resistance to chalking caused by the sun’s ultraviolet rays. The power outlet panel surface and pedestal units shall have NEMA Type 3R rainproof enclosures.

Ease of Installation

Panels shall ship from the factory completely assembled, prewired with 100 percent copper wire, and tested in accordance with UL Standard 231. The door shall swing up and open for user convenience and ease of access to breakers and receptacles. When required, a means for securing the door in the open position shall be provided. Panels shall be bottom fed through knockouts in endwall or top fed using a bolt-on raintight hub. Knockouts shall range from 1/2-inch (12.7 mm) to 1-1/2 inches (38.1 mm). Grounding provisions (#4–14 Cu/Al) shall be provided on all panels.

Application Description

POPs are also sometimes called temporary power panels, temporary site service equipment or RV panels.

Construction Site Application

When POPs are used at a construction site, they are installed on a temporary basis until permanent electrical power is available at the building. The most common reason for needing a POP at a construction site is to provide a power source for the contractor's tools.



Construction Site Application

RV Park Applications

When POPs are used at an RV park, they are installed for more permanent use and serve the purpose of providing power to the recreational vehicles. Many RV parks now supply customers with amenities such as lighted POPs with TV and telephone jacks.



RV Park Application

Service Applications

Suitable for use as temporary Service Entrance Equipment, temporary power service equipment and recreational vehicle site supply.

Features and Benefits

- Designed for outdoor service to meet power outlet requirements
- Receptacles conform to NEMA and/or ANSI configurations as specified by the National Electrical Code® (NEC)
- Includes a factory-installed insulated neutral bar with provisions for bonding when used for temporary service entrance applications
- 125 A rated meter socket
- Temporary power and RV park POPs are CSA listed. Compact POP and single receptacle devices are not CSA listed

Designed for Easy Installation and Protection

- Panels come from the factory completely assembled, prewired with 100 percent copper wire and tested...ready for easy installation
- Door swings up and open for user convenience and ease of access to breakers and receptacles
- Panels can be bottom fed through knockouts in the endwall or top fed using a bolt-on raintight hub
- Two-piece deadfront cover allows field wiring without interfering with factory wiring
- Lower deadfront cover permits easy field wiring to circuit protective devices
- Available GFI (ground fault interrupter) single- and two-pole protection through 50 A

Two Styles to Meet Your Power Outlet Needs

- **Surface mount:** User mounts unit to a post
- **Pedestal mount:** User mounts with an underground pedestal extension or pad-mounting bracket. (Underground pedestal extension and pad-mounting bracket are sold separately. See accessories **Page V1-T5-7** for part numbers and options)



Compact Design Available in Certain Configurations for Added Convenience

Standards and Certifications

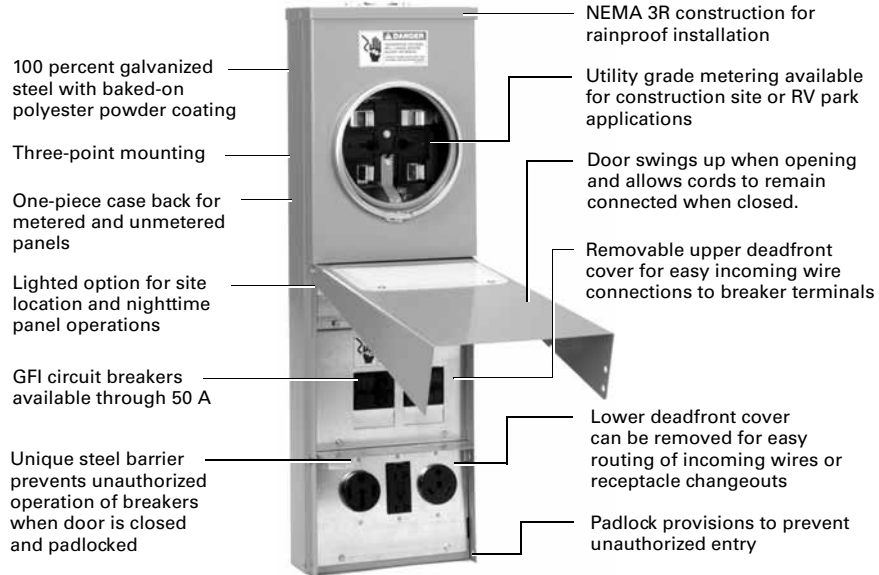
- UL Standard 231
 - UL File Number E163588
- Receptacles conform to NEMA and/or ANSI configurations as specified by the NEC.

Standard Compliance

All power outlet panels for temporary construction site power and RV (recreational vehicle) application shall be UL listed for the U.S. per UL Standard 231, File E163588. Receptacles shall conform to NEMA and/or ANSI configurations as specified by the National Electrical Code (NEC).

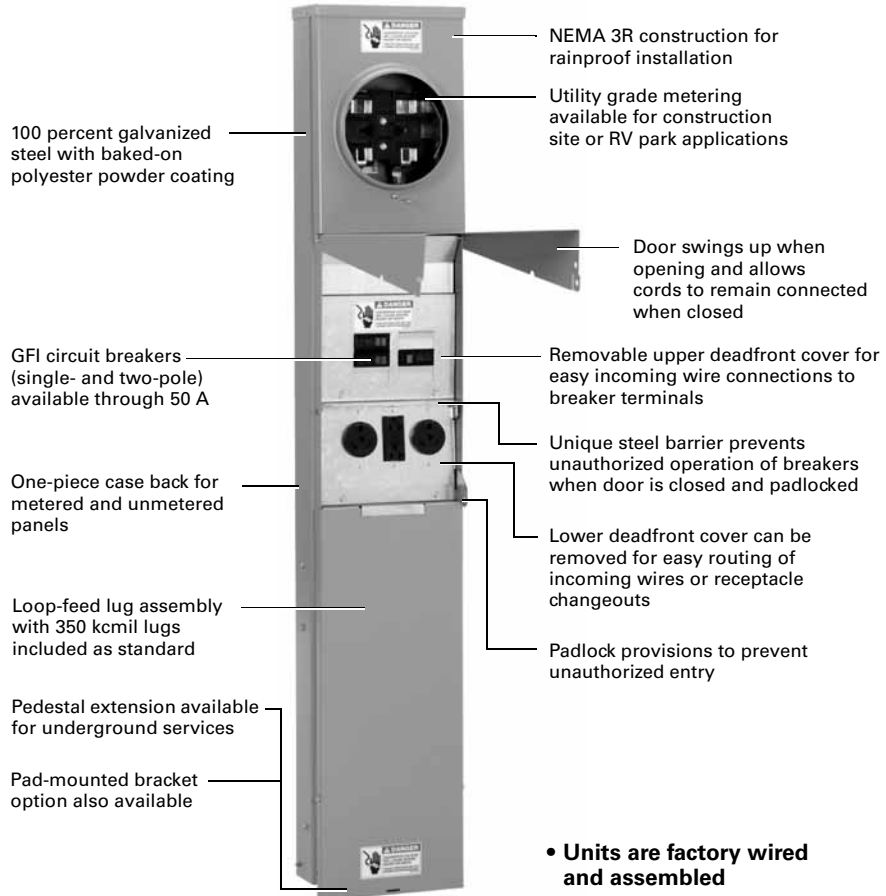


Surface Units



- **Metered units available with meter on top or on bottom**
- **Units are factory wired and assembled**

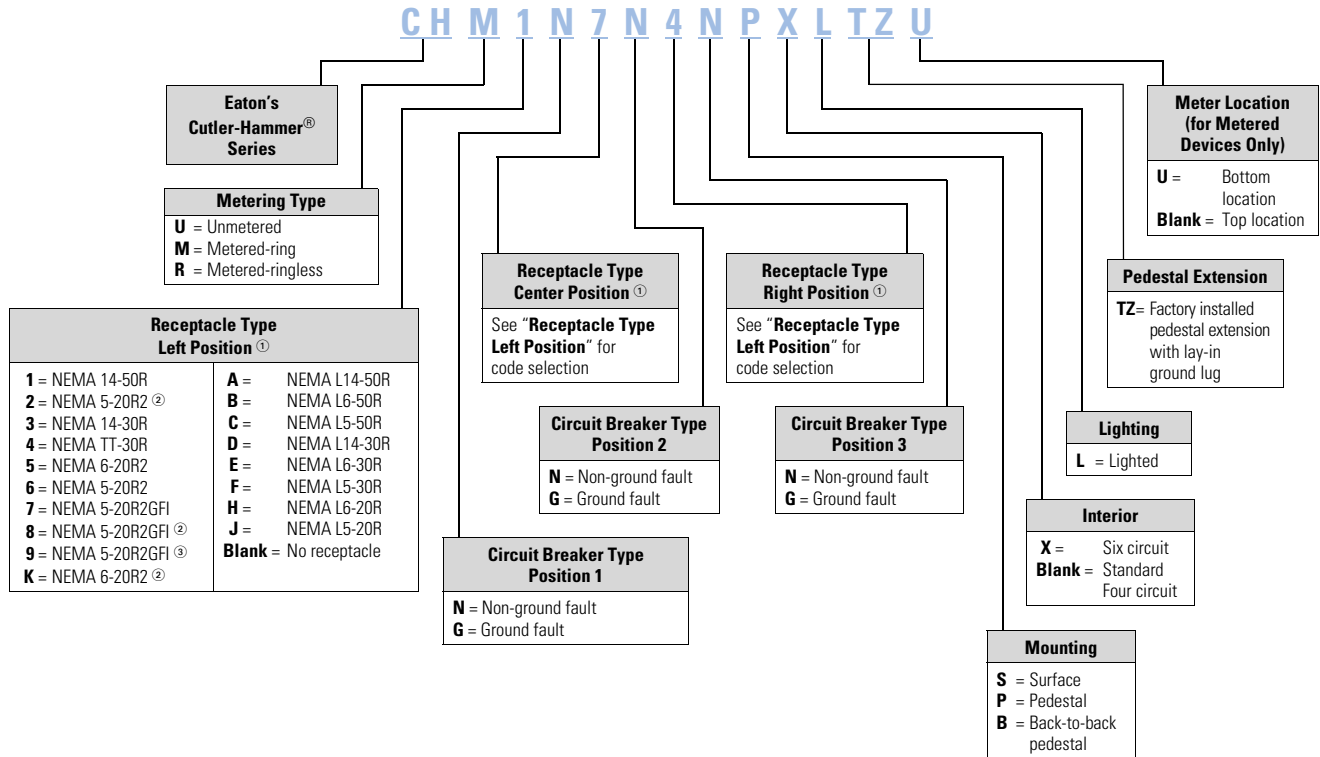
Pedestal Units



- **Units are factory wired and assembled**

Catalog Number Selection



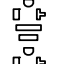
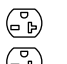
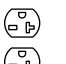





5











Notes

- ① For receptacle configurations, see **table below**.
- ② Weather-resistant.
- ③ Weather-resistant/tamper resistant.

Receptacle Configuration

1	 50 A, 125/250 V, three-pole, four-wire, NEMA 14-50R Two-pole, 50 A breaker	4	 30 A, 125 V, two-pole, three-wire, NEMA TT-30R Single-pole, 30 A breaker	7	 20 A, 125 V, two-pole, three-wire, NEMA 5-20R2GFI Single-pole, 20 A breaker
2	 20 A, 125 V, two-pole, three-wire, weather-resistant (WR), NEMA 5-20R2 Single-pole, 20 A breaker	5	 20 A, 250 V, two-pole, three-wire, NEMA 6-20R2 Two-pole, 20 A breaker	8	 20 A, 125 V, two-pole, three-wire, weather-resistant (WR), NEMA 5-20R2GFI
3	 30 A, 125/250 V, three-pole, four-wire, NEMA 14-30R Two-pole, 30 A breaker	6	 20 A, 125 V, two-pole, three-wire, NEMA 5-20R2 Single-pole, 20 A breaker	9	 20 A, 125 V, two-pole, three-wire, weather-resistant/tamper-resistant (WR TR), NEMA 5-20R2GFI
				K	 20 A, 250 V, two-pole, three-wire, weather-resistant (WR), NEMA 6-20R2 Two-pole, 20 A breaker

Twist-Lock and Custom Receptacle/Breaker Combinations

A	 50 A, 125/250 V, three-pole, three-wire, NEMA L14-50R Two-pole, 50 A breaker	D	 30 A, 125/250 V, three-pole, four-wire, NEMA L14-30R Two-pole, 30 A breaker	H	 20 A, 250 V, two-pole, three-wire, NEMA L6-20R Two-pole, 20 A breaker
B	 50 A, 250 V, two-pole, three-wire, NEMA L6-50R Two-pole, 50 A breaker	E	 30 A, 250 V, two-pole, three-wire, NEMA L6-30R Two-pole, 30 A breaker	J	 20 A, 125 V, two-pole, three-wire, NEMA L5-20R Single-pole, 20 A breaker
C	 50 A, 125 V, two-pole, three-wire, NEMA L5-50R Single-pole, 50 A breaker	F	 30 A, 125 V, two-pole, three-wire, NEMA L5-30R Single-pole, 30 A breaker		

Product Selection

When quoting or selecting a power outlet panel, the following questions should be answered:

- Unmetered, ring or ringless style
- Number and types of receptacles (seven standard and eight twist-lock options)
- Standard or ground fault breakers
- Surface, pedestal or back-to-back mounting
- Are any factory or field options required?

Power Outlet Panel Receptacle Configuration Rules

Four Receptacles/Unit

All receptacles must be NEMA 5-20R2 or NEMA 5-20R2GFI, surface mount only.

Three Receptacles/Unit

- One or more of the receptacles must be NEMA 6-20R2, NEMA 5-20R2 or NEMA 5-20R2GFI
- NEMA 6-20R2, NEMA 5-20R2, or NEMA 5-20R2GFI must go in the second position

- If two receptacles consist of types NEMA 14-50R, NEMA 10-50R, NEMA 14-30R or NEMA 6-20R2 a six-circuit interior must be added

- Example:
CHUIN5N2NSX





Note: Configuration 1 and 2 were chosen so a six-circuit interior needs to be added (suffix X) to the end of the catalog number. Also, configuration 5 is in the second position.

Two, One and Zero Receptacles/Unit

Any configuration.

Accessories

Accessories

	Description	Catalog Number
Underground Pedestal Extension 	Underground pedestal extension	CHPEEXT
	Stainless steel underground pedestal extension	CHPEEXTSS
Pad-Mount Bracket 	Pad-mount bracket	CHPAEXT
Cable TV/Telephone Bracket 	Cable TV and telephone bracket	CHTELV
DS Hub 	Rainproof conduit hub 0.75 inch (19.1 mm)	DS075H1
	Rainproof conduit hub 1.00 inch (25.4 mm)	DS100H1
	Rainproof conduit hub 1.25 inch (31.8 mm)	DS125H1
	Rainproof conduit hub 1.50 inch (38.1 mm)	DS150H1

Fluorescent Light Kit







Fluorescent Light Kit







Description	Catalog Number
Converts power outlet panel to lighted unit, must also order CHOUTCVRL	CHFLGKIT

Renewal Parts

Renewal Parts

	Description	Catalog Number
Circuit Breaker (BR/GFTCB) 	See this volume, Tab 1, section 1.2	—
Meter Socket 	Ring style replacement meter socket	CHPOPMSRING
	Ringless style replacement meter socket	CHPOPMSRL
	5th jaw kit	ARP00035CHJ
	Horn bypass (one lug cap per kit; four kits required per device)	ARP00777CH
Bonding Strap and Mounting Hardware 	Bonding strap and mounting hardware	CHBONDST
Inner Lens 	Inner lens for lighted power outlet panels	CHINLENS
Loop Feed Lug Assembly 	Loop feed lug assembly for single pedestal	CHLOOPFDP
	Loop feed lug assembly for back-to-back pedestal	CHLOOPFDB
Lower Deadfront Cover 	Blank lower deadfront cover	CHLDFCVR
	Lower deadfront cover with duplex receptacle opening	CHLDFCVR1
	Lower deadfront cover with duplex, duplex receptacle opening	CHLDFCVR2
	Lower deadfront cover with duplex, duplex, duplex receptacle opening	CHLDFCVR3
	Lower deadfront cover with rectangle receptacle opening	CHLDFCVR4
	Lower deadfront cover with rectangle, rectangle receptacle opening	CHLDFCVR5
	Lower deadfront cover with rectangle, rectangle, rectangle receptacle opening	CHLDFCVR6
	Lower deadfront cover with duplex, rectangle receptacle opening	CHLDFCVR7
	Lower deadfront cover with duplex, rectangle, duplex receptacle opening	CHLDFCVR8
	Lower deadfront cover with rectangle, rectangle, duplex receptacle opening	CHLDFCVR9
	Lower deadfront cover with round receptacle opening	CHLDFCVR10
	Lower deadfront cover with round, round receptacle opening	CHLDFCVR11
	Lower deadfront cover with round, duplex receptacle opening	CHLDFCVR12

Renewal Parts, continued

Description	Catalog Number
Lower deadfront cover with round, duplex, duplex receptacle opening	CHLDFCVR13
Lower deadfront cover with round, duplex, round receptacle opening	CHLDFCVR14
Lower deadfront cover with round, rectangle receptacle opening	CHLDFCVR15
Lower deadfront cover with round, rectangle, rectangle receptacle opening	CHLDFCVR16
Lower deadfront cover with round, rectangle, round receptacle opening	CHLDFCVR17
Lower deadfront cover with round, rectangle, duplex receptacle opening	CHLDFCVR18
Upper Deadfront Cover	
Upper deadfront cover with six breaker twistouts	CHUDFCVR
Upper deadfront cover with provisions for lighted option	CHUDFCVRL
	
Outer Door	
Outer door	CHOUTCVR
	
Outer Door with Lens	
Outer door with lens	CHOUTCVRL
	
Neutral Assemblies	
Six-hole neutral assembly with 2/0 lug	CHNEUT
Seven-hole neutral assembly with 2/0 lug	CHNEUT1
Five-hole ground bar kit	GBK5
10-hole ground bar kit	GBK10
	
Replacement Meter Cover	
Replacement meter cover—ring type	CHPOPRMC
Replacement meter cover—ringless	CHPOPRLMC
Replacement meter cover—ringless	CHPOPRLMCN
Replacement meter cover—ringless	CHPOPRLMCN2

Power Outlet Panels



5

Surface Units

Product Overview

A power outlet panel (or POP) is a device designed for outdoor service to meet temporary power requirements at construction sites and recreation vehicle (RV) parks. POPs provide a safe and reliable means for users to access electricity at such locations.

Product Selection

Power Outlet Panel Receptacle Configuration Rules

See **Page V1-T5-7** for complete list.

Four Receptacles/Unit

All receptacles must be NEMA 5-20R2 and/or NEMA 5-20R2GFI, surface mount only.

Contents

<i>Description</i>	<i>Page</i>
Product Overview	V1-T5-3
Surface Units	
Dimensions	V1-T5-13
Pedestal Units	V1-T5-16

Three Receptacles/Unit

- One or more of the receptacles must be NEMA 6-20R2, NEMA 5-20R2 or NEMA 5-20R2GFI
- NEMA 6-20R2, NEMA 5-20R2, or NEMA 5-20R2GFI must go in the second position
- If two receptacles consist of types NEMA 14-50R, NEMA 10-50R, NEMA 14-30R or NEMA 6-20R2 a six-circuit interior must be added

- Example:
CHUIN5N2NSX

Note: Configuration 1 and 2 were chosen so a six-circuit interior needs to be added (suffix X) to the end of the catalog number. Also, configuration 5 is in the second position.

Two, One and Zero Receptacles/Unit

Any configuration.

Options

- Six-circuit interior
- Factory-mounted pedestal extension
- Lighted
- Bottom fed

Surface Type

Ampere Series	Receptacle Description			Breaker Description			Catalog Number	
	Position	Left	Center	Right	1st	2nd		3rd
Single Receptacle CHU4S								
Unmetered Single Receptacle								
50	—	14-50R	—	—	No breaker	No breaker	No breaker	CHU1S
30	—	14-30 R	—	—	No breaker	No breaker	No breaker	CHU3S
30	—	TT-30R	—	—	No breaker	No breaker	No breaker	CHU4S
20	—	6-20R2	—	—	No breaker	No breaker	No breaker	CHU5S
20	—	5-20R2	—	—	No breaker	No breaker	No breaker	CHU6S
20	—	5-20R2GFI	—	—	No breaker	No breaker	No breaker	CHU7S
Unmetered Type CHU1N7N4NS								
Unmetered								
20/20/20	5-20R2	5-20R2	6-20R2	—	GFI	GFI	GFI	CHU6G6G5GS
20/20/20	5-20R2WR	5-20R2WR	6-20R2WR	—	GFI	GFI	GFI	CHU2G2GKGS
20/20/20	5-20R2GFI	5-20R2GFI	6-20R2	—	Non-GFI	Non-GFI	Non-GFI	CHU7N7N5NS
20/20/20	5-20R2GFIWR	5-20R2GFIWR	6-20R2WR	—	Non-GFI	Non-GFI	Non-GFI	CHU8N8NKNS
20/20/20	5-20R2GFI	5-20R2GFI	6-20R2	—	Non-GFI	Non-GFI	GFI	CHU7N7N5GS
20/20/20	5-20R2GFIWR	5-20R2GFIWR	6-20R2WR	—	Non-GFI	Non-GFI	GFI	CHU8N8NKGS
50/20/30	14-50R	5-20R2GFI	TT-30R	—	Non-GFI	Non-GFI	Non-GFI	CHU1N7N4NS
50/20/30	14-50R	5-20R2GFI	6-20R	—	GFI	Non-GFI	Non-GFI	CHU1G7N7NS
50/20	14-50R	5-20RGFI	—	—	GFI	Non-GFI	—	CHU1G7NS
50/20	14-50R	5-20RGFI	—	—	Non-GFI	Non-GFI	—	CHU1N7NS
50/20/50	14-50R	5-20R2GFI	14-50R	—	Non-GFI	Non-GFI	Non-GFI	CHU1N7N1NSX ①
30/30/20	TT-30R	5-20R2GFI	TT-30R	—	Non-GFI	Non-GFI	Non-GFI	CHU4N7N4NS
20/20/20	5-20R2	5-20R2	6-20R2	—	GFI	GFI	GFI	CHU6G6G5GS60M ②
Unmetered (Compact Version)								
50	14-50R	—	—	—	Non-GFI	—	—	CHU1NS
20	5-20R2	—	—	—	Non-GFI	—	—	CHU2NS
30	TT-30R	—	—	—	GFI	—	—	CHU4GS
30/30	TT-30R	TT-30R	—	—	Non-GFI	Non-GFI	—	CHU4N4NS
30/20	TT-30R	5-20R2	—	—	Non-GFI	Non-GFI	—	CHU4N6NS
30/20	TT-30R	5-20R2GFI	—	—	Non-GFI	Non-GFI	—	CHU4N7NS
30	TT-30R	—	—	—	Non-GFI	—	—	CHU4NS
20	6-20R2	—	—	—	GFI	—	—	CHU5GS
20/20	5-20R2	5-20R2	—	—	GFI	GFI	—	CHU6G6GS
20	5-20R2	—	—	—	GFI	—	—	CHU6GS
20/20	5-20R2	5-20R2	—	—	Non-GFI	Non-GFI	—	CHU6N6NS
20	5-20R2	—	—	—	Non-GFI	—	—	CHU6NS
20/20	5-20R2GFI	5-20R2GFI	—	—	Non-GFI	Non-GFI	—	CHU7N7NS
20	5-20R2GFI	—	—	—	Non-GFI	—	—	CHU7NS

Notes

① The "X" suffix indicates that a six circuit interior is provided, instead of the standard four circuit interior.

② Includes 60 A two-pole main breaker for service disconnect ratings.

Contact your local Eaton sales office for configurations not listed.

Surface Type, continued

**Metered Ring
CHM1G7NS**



Ampere Series	Receptacle Description			Breaker Description			Catalog Number	
	Position	Left	Center	Right	1st	2nd		3rd
Metered—Ring								
50/20/20	14-50R	5-20R2GFI	5-20R2GFI	5-20R2GFI	GFI	Non-GFI	Non-GFI	CHM1G7N7NS
20/20	5-20R2GFI	5-20R2GFI	—	—	Non-GFI	Non-GFI	—	CHM7N7NS
20/20/20	5-20R2GFI	5-20R2GFI	6-20R2	6-20R2	Non-GFI	Non-GFI	GFI	CHM7N7N5GS
20/20/20	5-20R2GFI	5-20R2GFI	6-20R2	6-20R2	Non-GFI	Non-GFI	Non-GFI	CHM7N7N5NS
50/30/20	14-50R	5-20R2GFI	TT-30R	TT-30R	Non-GFI	Non-GFI	Non-GFI	CHM1N7N4NS
50/20	14-50R	5-20R2GFI	—	—	Non-GFI	Non-GFI	—	CHM1N7NS
20/20	6-20R2	5-20R2GFI	—	—	Non-GFI	Non-GFI	Non-GFI	CHM5N7NS

**Metered Ringless Type
CHR4N7NS**



Metered—Ringless								
50/20	14-50R	5-20R2GFI	—	—	GFI	Non-GFI	—	CHR1G7NS
20/20	5-20R2GFI	5-20R2GFI	—	—	Non-GFI	Non-GFI	—	CHR7N7NS
50/20/20	14-50R	5-20R2GFI	5-20R2GFI	5-20R2GFI	GFI	Non-GFI	Non-GFI	CHR1G7N7NS
50/20	14-50R	5-20R2GFI	—	—	Non-GFI	Non-GFI	—	CHR1N7NS
20/20/20	5-20R2GFI	5-20R2GFI	5-20R2GFI	5-20R2GFI	Non-GFI	Non-GFI	Non-GFI	CHR7N7N7NS
20/20/20	5-20R2WR	5-20R2WR	6-20R2WR	6-20R2WR	GFI	GFI	GFI	CHR2G2GKGS
30/20/20	14-30R	5-20R2GFI	5-20R2GFI	5-20R2GFI	Non-GFI	Non-GFI	Non-GFI	CHR3N7N7NS
50/30/20	14-50R	5-20R2GFI	TT-30R	TT-30R	Non-GFI	Non-GFI	Non-GFI	CHR1N7N4NS

**Metered Ring or
Ringless Type
Bottom Feed**



Metered—Ring—Bottom Fed								
20/20	5-20R2GFI	5-20R2GFI	—	—	Non-GFI	Non-GFI	—	CHM7N7NSU
20/20/20	5-20R2GFI	5-20R2GFI	6-20R2	6-20R2	Non-GFI	Non-GFI	GFI	CHM7N7N5GSU
50/20/20	14-50R	5-20R2GFI	5-20R2GFI	5-20R2GFI	GFI	Non-GFI	Non-GFI	CHM1G7N7NSU
Metered—Ringless—Bottom Fed								
20/20	5-20R2GFI	5-20R2GFI	—	—	Non-GFI	Non-GFI	—	CHR7N7NSU
50/20	14-50R	5-20R2GFI	—	—	GFI	Non-GFI	—	CHR1G7NSU
50/20	10-50R	5-20R2GFI	—	—	GFI	Non-GFI	—	CHR2G7NSU
20/20/20	5-20R2WR	5-20R2WR	6-20R2WR	6-20R2WR	GFI	GFI	GFI	CHR2G2GKGSU
20/20/20	5-20R2GFI	5-20R2GFI	6-20R2	6-20R2	Non-GFI	Non-GFI	GFI	CHR7N7N5GSU
20/20/20	5-20R2GFI	5-20R2GFI	6-20R2	6-20R2	Non-GFI	Non-GFI	Non-GFI	CHR7N7N5NSU
20/20/20	5-20R2GFI	5-20R2GFI	5-20R2GFI	5-20R2GFI	Non-GFI	Non-GFI	Non-GFI	CHR7N7N7NSU
30/20/20	14-30R	5-20R2GFI	5-20R2GFI	5-20R2GFI	Non-GFI	Non-GFI	Non-GFI	CHR3N7N7NSU
30/20/20	14-30R	5-20R2GFI	5-20R2GFI	5-20R2GFI	GFI	Non-GFI	Non-GFI	CHR3G7N7NSU
50/20/20	14-50R	5-20R2GFI	5-20R2GFI	5-20R2GFI	GFI	Non-GFI	Non-GFI	CHR1G7N7NSU
50/20/30	14-50R	5-20R2GFI	TT-30R	TT-30R	Non-GFI	Non-GFI	Non-GFI	CHR1N7N4NSU

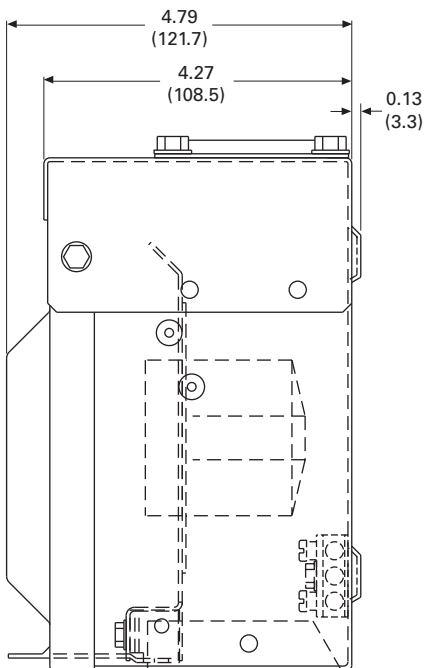
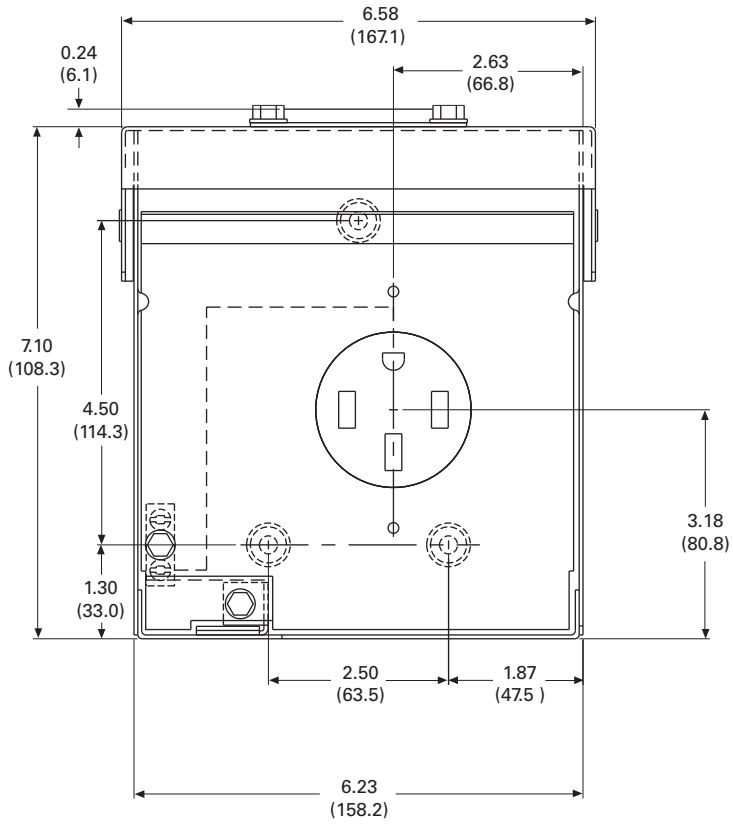
Accessories

See **Page V1-T5-7**.

Dimensions

Approximate Dimensions in Inches (mm)

Single Receptacle



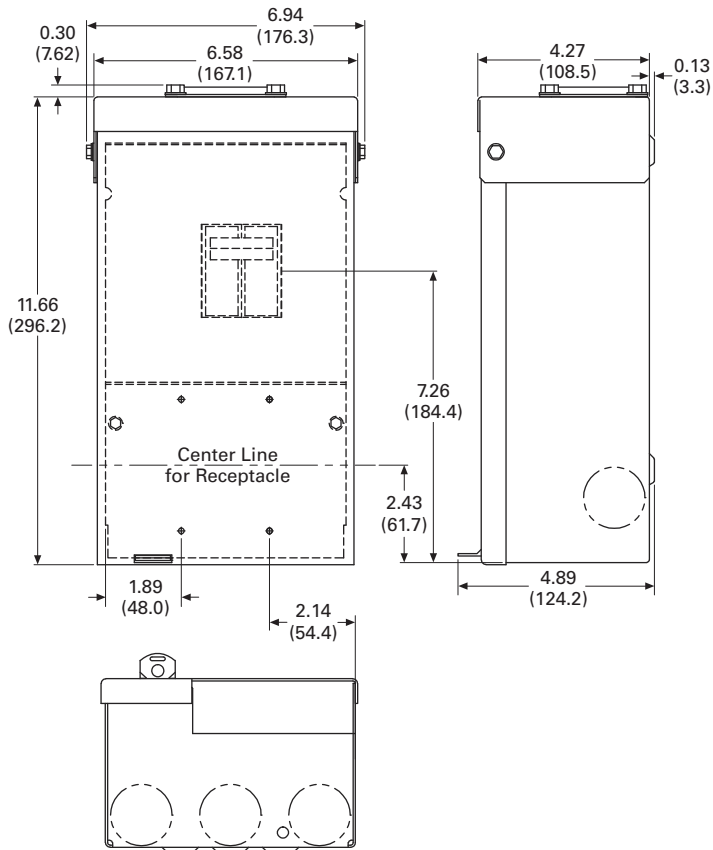
5.2

Power Pedestals

Temporary Power/RV Park

Approximate Dimensions in Inches (mm)

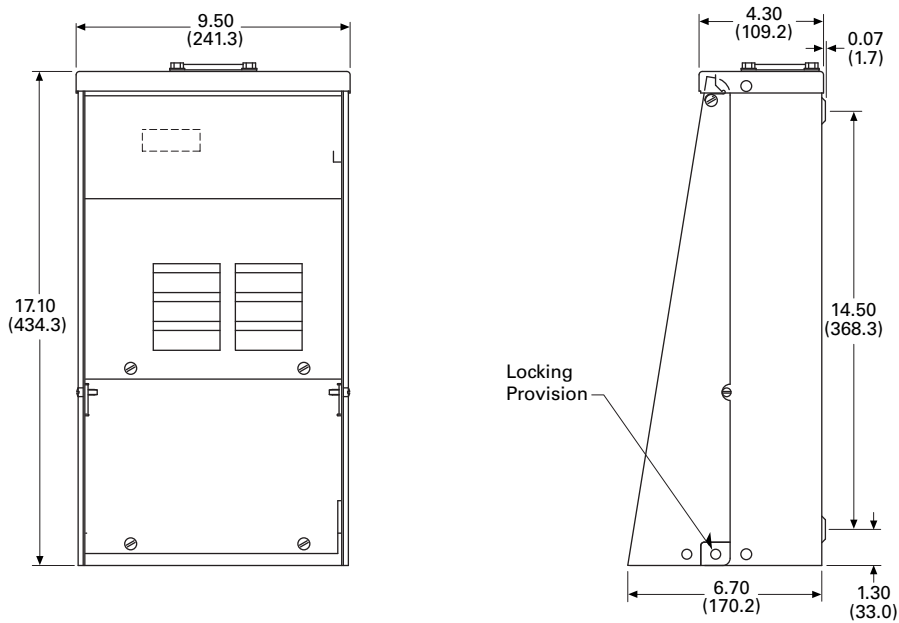
Compact Design Option



5

Unmetered Units

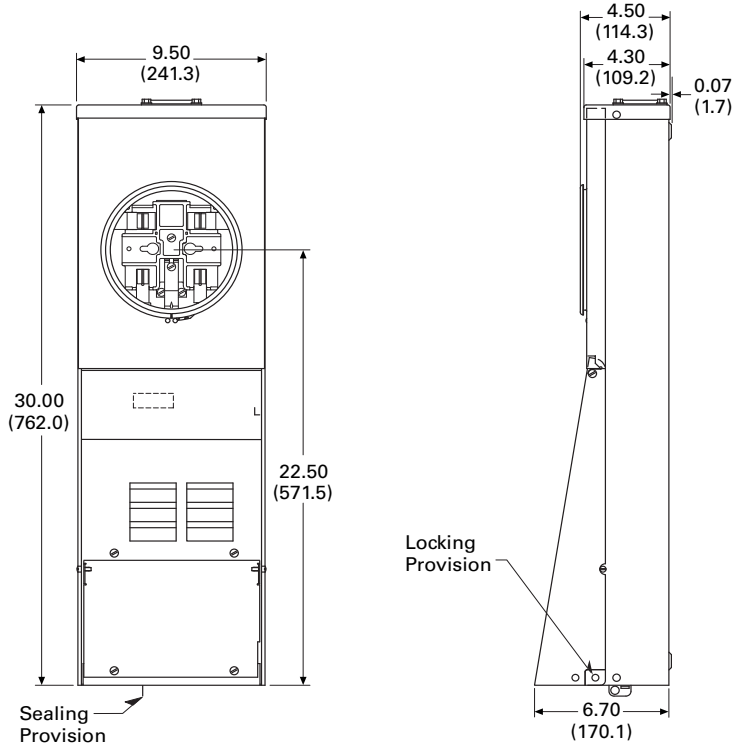
Unmetered Surface Type



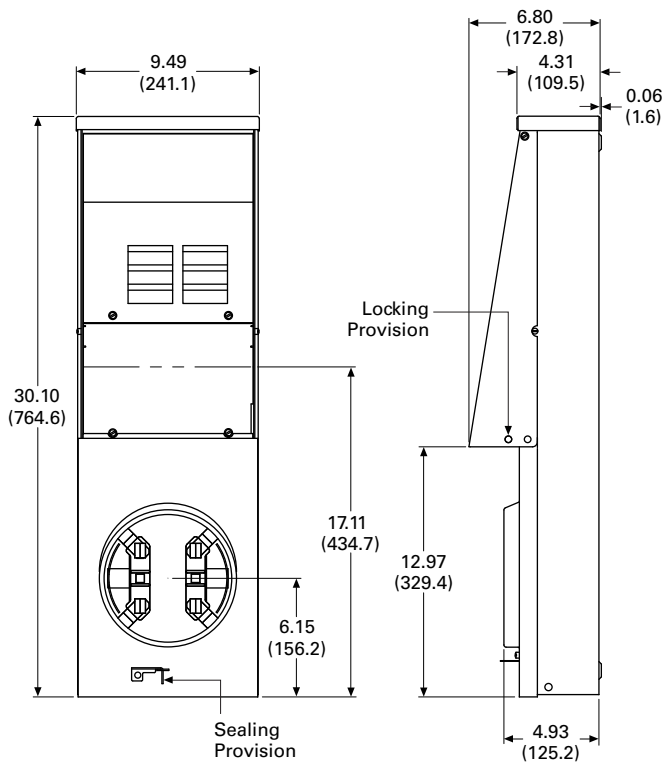
Approximate Dimensions in Inches (mm)

Metered Units (Ring and Ringless)

Metered Surface Type



Bottom Fed Type



Power Outlet Panels



5

Pedestal Units

Product Overview

A power outlet panel (or POP) is a device designed for outdoor service to meet temporary power requirements at construction sites and recreation vehicle (RV) parks. POPs provide a safe and reliable means for users to access electricity at such locations.

Product Selection

Power Outlet Panel Receptacle Configuration Rules

See **Page V1-T5-7** for complete list.

Four Receptacles/Unit

All receptacles must be NEMA 5-20R2 and/or NEMA 5-20R2GFI, surface mount only.

Contents

<i>Description</i>	<i>Page</i>
Product Overview	V1-T5-3
Surface Units	V1-T5-10
Pedestal Units	V1-T5-16
Dimensions	V1-T5-18

Three Receptacles/Unit

- One or more of the receptacles must be NEMA 6-20R2, NEMA 5-20R2 or NEMA 5-20R2GFI
- NEMA 6-20R2, NEMA 5-20R2, or NEMA 5-20R2GFI must go in the second position
- If two receptacles consist of types NEMA 14-50R, NEMA 10-50R, NEMA 14-30R or NEMA 6-20R2 a six-circuit interior must be added

- Example:
CHUIN5N2NSX

Note: Configuration 1 and 2 were chosen so a six-circuit interior needs to be added (suffix X) to the end of the catalog number. Also, configuration 5 is in the second position.

Two, One and Zero Receptacles/Unit

Any configuration.

Options

- Six-circuit interior
- Factory-mounted pedestal extension
- Lighted
- Bottom fed

Unmetered Type

Pedestal Type



CHM1N7N4NPTZ



Ampere Series	Receptacle Description			Breaker Description			Catalog Number
	Position Left	Center	Right	1st	2nd	3rd	
Unmetered							
50/30/20	14-50R	5-20R2GFI	TT-30R	Non-GFI	Non-GFI	Non-GFI	CHU1N7N4NP
30/20	TT-30R	5-20R2GFI	—	Non-GFI	Non-GFI	—	CHU4N7NP
50/30/20	14-50R	5-20R2GFI	TT-30R	Non-GFI	Non-GFI	Non-GFI	CHU1N7N4NPTZ
30/30/20	TT-30R	5-20R2GFI	TT-30R	Non-GFI	Non-GFI	Non-GFI	CHU4N7N4NP
30/20	TT-30R	5-20R2GFI	—	Non-GFI	Non-GFI	—	CHU4N7NPTZ
Metered – Ring							
50/30/20	14-50R	5-20R2GFI	TT-30R	Non-GFI	Non-GFI	Non-GFI	CHM1N7N4NP
50/20	14-50R	5-20R2GFI	—	Non-GFI	Non-GFI	—	CHM1N7NP
50/30/20	14-50R	5-20R2GFI	TT-30R	Non-GFI	Non-GFI	Non-GFI	CHM1N7N4NPTZ
30/20	TT-30R	5-20R2GFI	—	Non-GFI	Non-GFI	—	CHM4N7NPTZ
Metered – Ringless							
50/30/20	14-50R	5-20R2GFI	TT-30R	Non-GFI	Non-GFI	Non-GFI	CHR1N7N4NP
50/20/50	14-50R	5-20R2GFI	14-50R	Non-GFI	Non-GFI	Non-GFI	CHR1N7N1NPX
50/20/30	14-50R	5-20R2GFI	14-30R	Non-GFI	Non-GFI	Non-GFI	CHR1N7N3NPX
50/20/30	14-50R	5-20R2	14-30R	Non-GFI	Ground fault	Non-GFI	CHR1N6G3NPX

CHU1N7N4NBTZ



Back-to-Back Pedestal Type

Ampere Series	Receptacle Description			Breaker Description			Catalog Number
	Position Left	Center	Right	1st	2nd	3rd	
Unmetered ①							
30/30/20	TT-30R	5-20R2GFI	TT-30R	Non-GFI	Non-GFI	Non-GFI	CHU4N7N4NB
50/30/20	14-50R	5-20R2GFI	TT-30R	Non-GFI	Non-GFI	Non-GFI	CHU1N7N4NBTZ
Metered – Ring ①							
30/20	TT-30R	5-20R2GFI	—	Non-GFI	Non-GFI	—	CHM4N7NB
50/30/20	14-50R	5-20R2GFI	TT-30R	Non-GFI	Non-GFI	Non-GFI	CHM1N7N4NB
Metered – Ringless ①							
50/30/20	14-50R	5-20R2GFI	TT-30R	Non-GFI	Non-GFI	Non-GFI	CHR1N7N4NBTZ

Notes

① The pedestal back-to-back units have receptacles and circuit breakers as shown for each panel and share one common pedestal with loop feed lugs. Contact your local Eaton sales office for configurations not listed.

Accessories

See Page V1-T5-7.

5.2

Power Pedestals

Temporary Power/RV Park

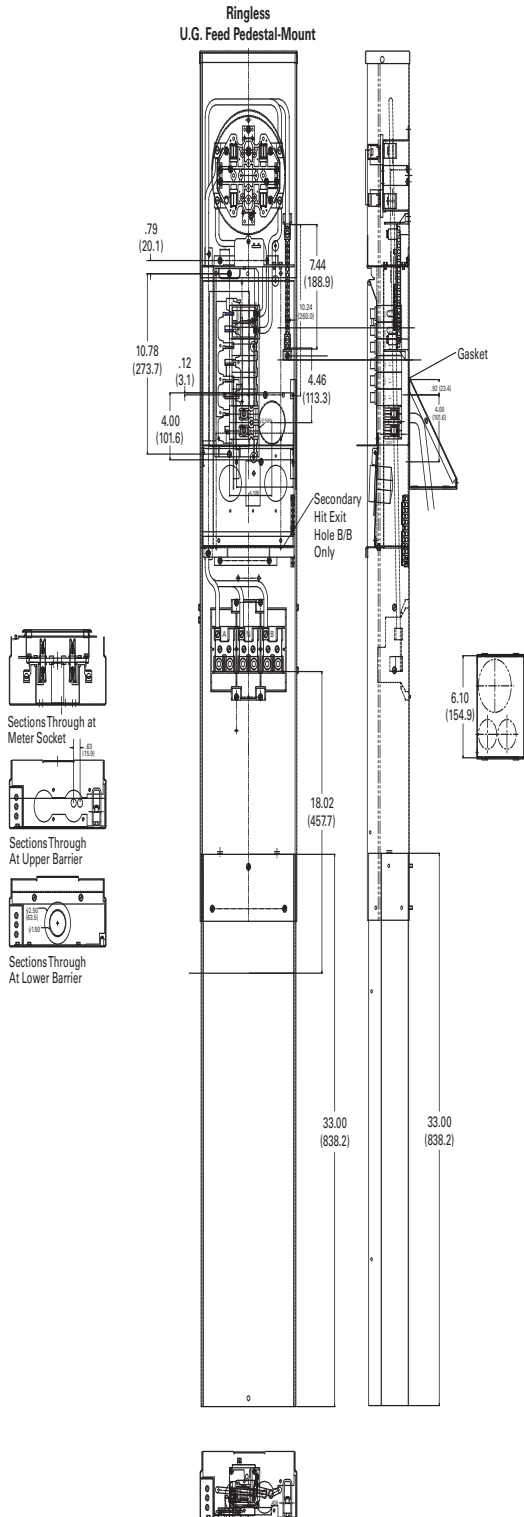
Dimensions

Approximate Dimensions in Inches (mm)

Metered Units

100 A Pedestal

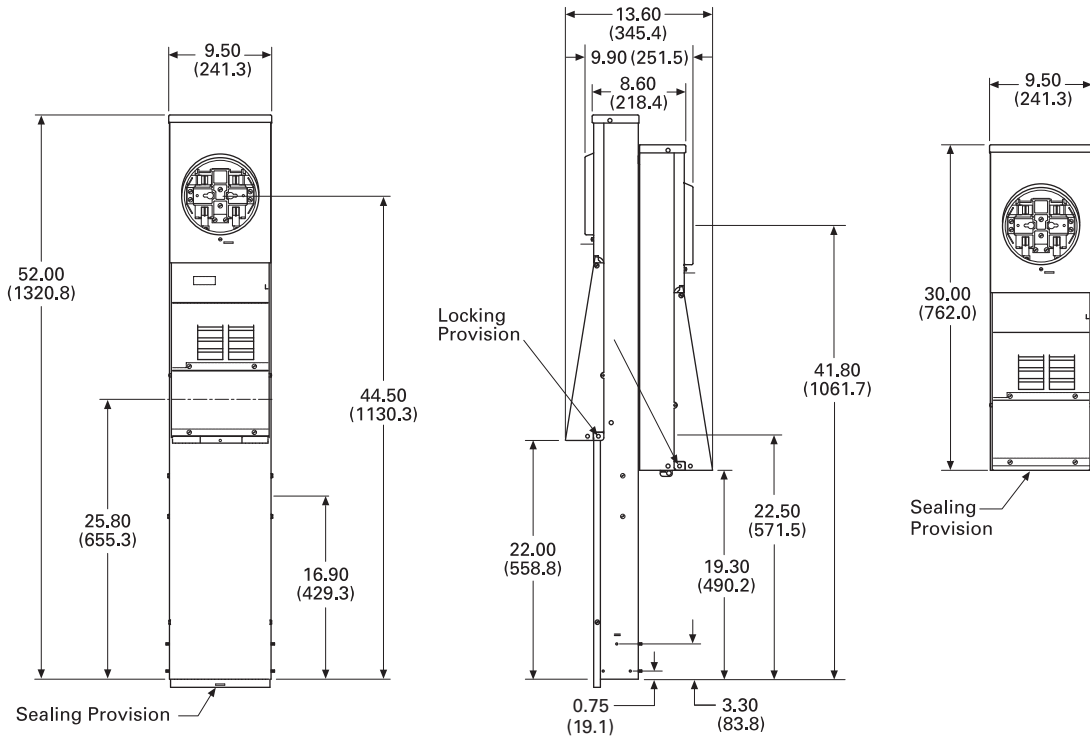
5



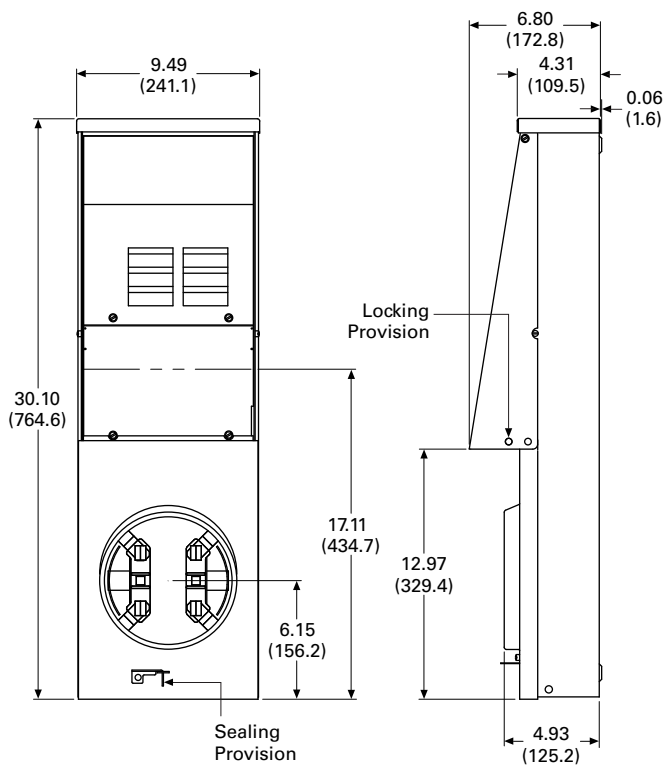
Approximate Dimensions in Inches (mm)

Metered Units (Ring and Ringless)

Metered Back-to-Back Pedestal Type



Bottom Fed Type



5.2

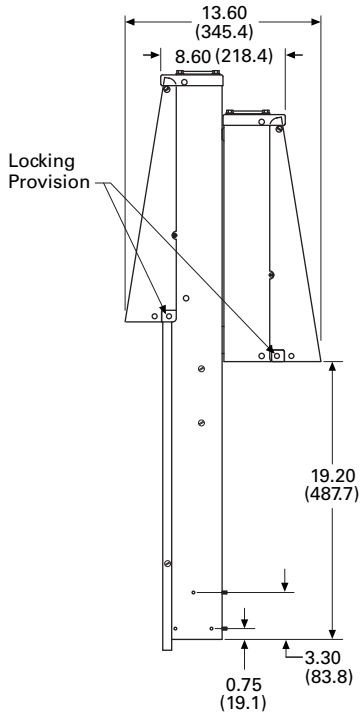
Power Pedestals

Temporary Power/RV Park

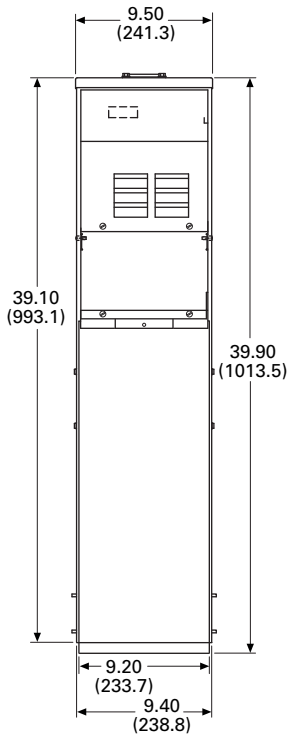
Approximate Dimensions in Inches (mm)

Unmetered Back-to-Back Pedestal Type

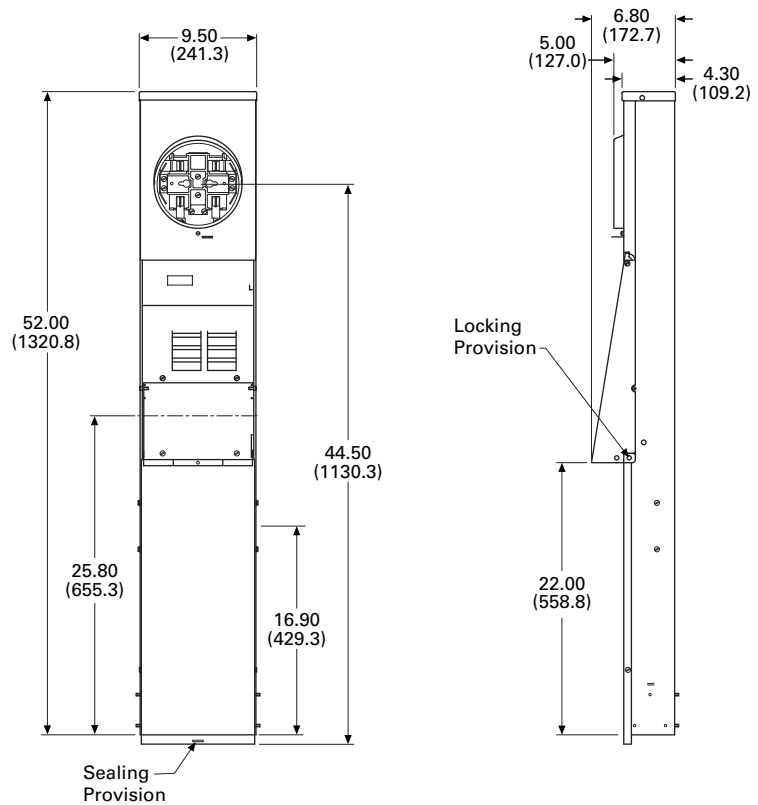
5



Unmetered Pedestal Type



Metered Pedestal Type



Power Outlet Panels



Product Overview

Eaton’s versatile Mobile Home Panels have a user-friendly design that allows for a faster, cleaner installation.

100 and 200 A panels come complete with the main breaker and a 4/8 or 8/16 interior, respectively. The 200 A units are designed with ample width to ensure plenty of room for wire bending and an easier installation.

Receptacle Deadfront Kits

Optional receptacle deadfront kits enable the field installation of contractor supplied receptacles and breakers that can supply power for a variety of applications including:

- Visiting RVs
- Temporary power
- Lawn equipment
- Air compressors
- Anything else that requires cord-connected power

Contents

<i>Description</i>	<i>Page</i>
Mobile Home Panels	
Catalog Number Selection	V1-T5-22
Product Selection	V1-T5-22
Accessories	V1-T5-23
Dimensions	V1-T5-24

Features

Fastenerless Socket Design

- Eliminates overheating caused by loose socket connections

Pedestal Unit

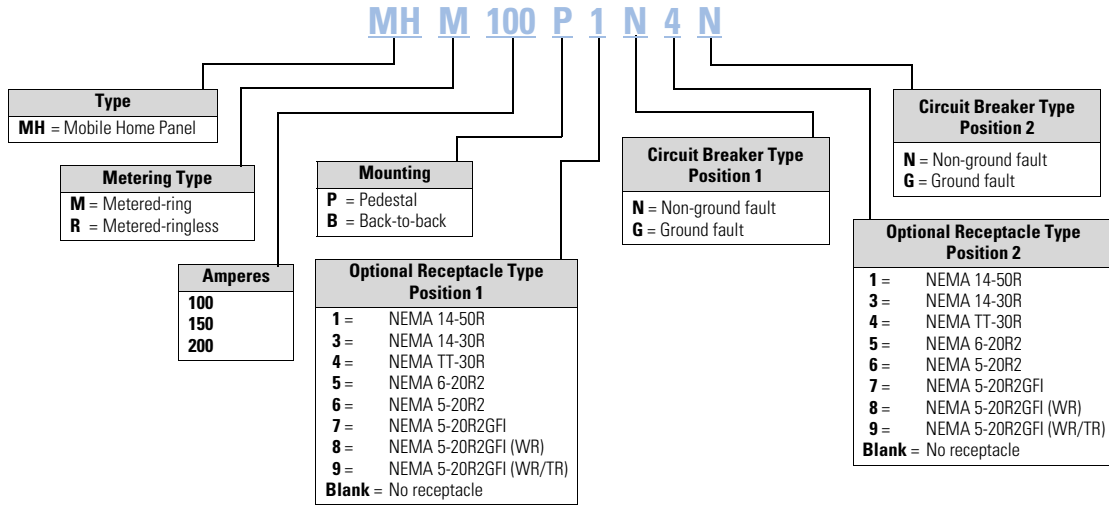
- Convenient and sturdy ground mounting
- Loop feed feature allows several units to be connected in series

Easier, Better and Faster Installation

- More wire bending and viewing room
- Additional circuits mean more flexibility

Catalog Number Selection

Mobile Home Panels



Product Selection

Mobile Home Panel

Mobile Home Panels [Ⓢ]



Amperes	Security	Interior	Main	Branch Breakers	Mounting	Receptacles	Catalog Number
100	Ring	4/8	BR2100	BR	Pedestal	None	MHM100P
100	Ring	4/8	BR2100	BR	Back-to-back	None	MHM100B
100	Ringless	4/8	BR2100	BR	Pedestal	None	MHR100P
100	Ringless	4/8	BR2100	BR	Back-to-back	None	MHR100B
150	Ring	8/16	CSR2150	BR	Pedestal	None	MHM150P
150	Ring	8/16	CSR2150	BR	Back-to-back	None	MHM150B
150	Ringless	8/16	CSR2150	BR	Pedestal	None	MHR150P
150	Ringless	8/16	CSR2150	BR	Back-to-back	None	MHR150B
200	Ring	8/16	CSR2200	BR	Pedestal	None	MHM200P
200	Ring	8/16	CSR2200	BR	Back-to-back	None	MHM200B
200	Ringless	8/16	CSR2200	BR	Pedestal	None	MHR200P
200	Ringless	8/16	CSR2200	BR	Back-to-back	None	MHR200B
200	Ringless	8/16	CSR2200	BR	Pedestal	Qty 1 14-50R Qty 2 TT-30R	MHM200P1N4N4N

Note

[Ⓢ] Pedestal Extension included with Mobile Home Panels.

Mobile Home Panel Deadfronts for 200 A Units^①

Available Receptacle Deadfront Kits—Receptacles and Breakers Not Included

MHDX		MHDXZX	
MHDXX		MHDZZY	
MHDBLANK		MHDYZ	
MHDZ		MHDZY	
MHDZZ		MHDXYX	
MHDZZZ		MHDXY	
MHDZZZZ		MHDXZY	
MHDY		MHDXZ	
MHDYY		MHDXZZ	
MHDYYY			
MHDYYYY			

Accessories

Mobile Home Panels

Hubs not used on mobile home panels.

Description	Amperes	Catalog Number
Direct feed kit	—	MHDFK
Pedestal extension	200	MHPEEXT
Stainless steel pedestal extension	200	MHPEEXTSS
Padmount adapter	200	MHPAEXT
Pedestal extension	100	CHPEEXT100
Stainless steel pedestal extension	100	CHPEEXTSS100
Padmount adapter	100	CHPAEXT100

Note

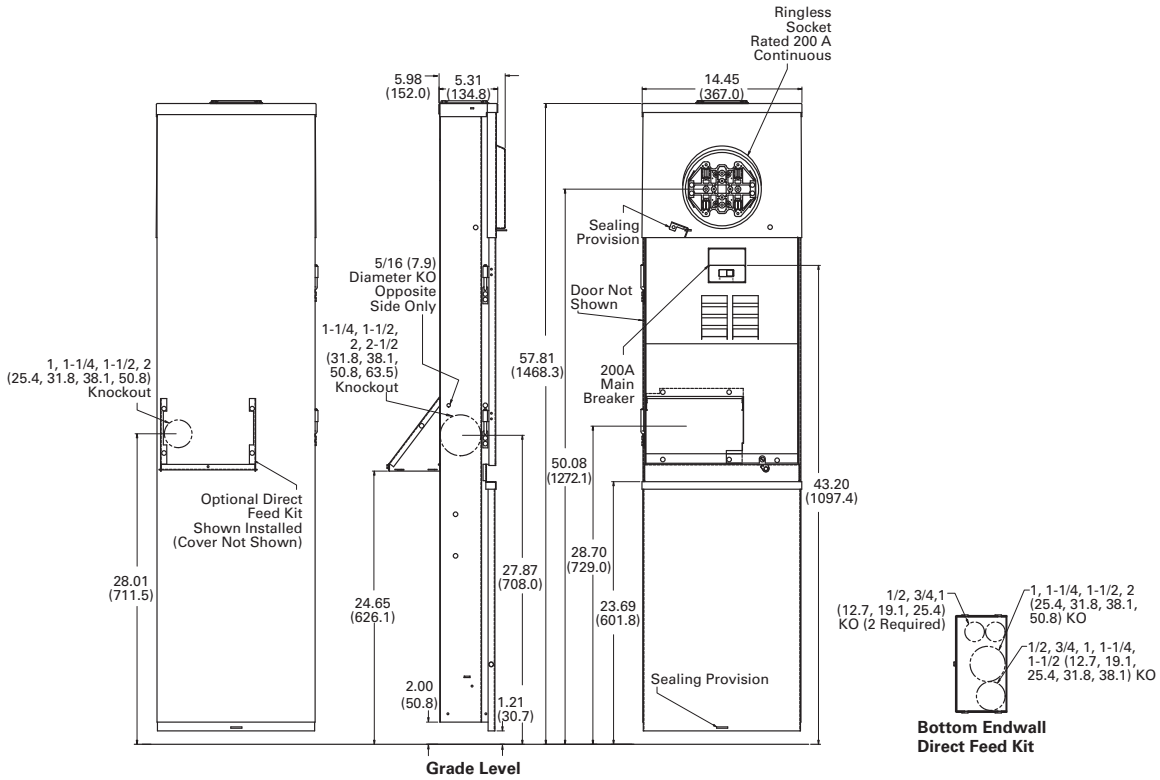
^① For 100 A units, the accessory Catalog Number would be MHD1___. For example, to order a deadfront to accept one 30 A receptacle (round) in a 100 ampere device, the Catalog Number would be MHD1X.

Dimensions

Approximate Dimensions in Inches (mm)

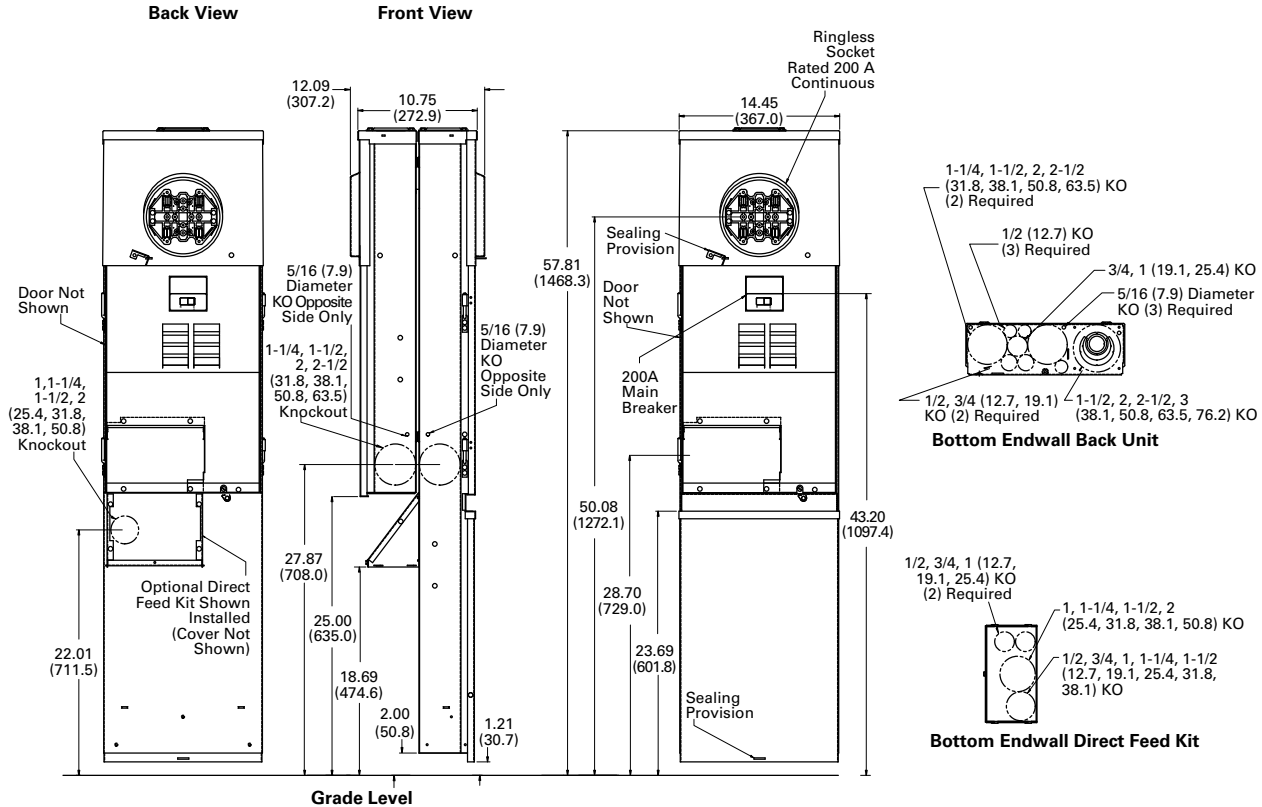
Mobile Home Panel—Ringless—Pedestal Mounting

5



Approximate Dimensions in Inches (mm)

Mobile Home Panel—Ringless—Back-to-Back Mounting



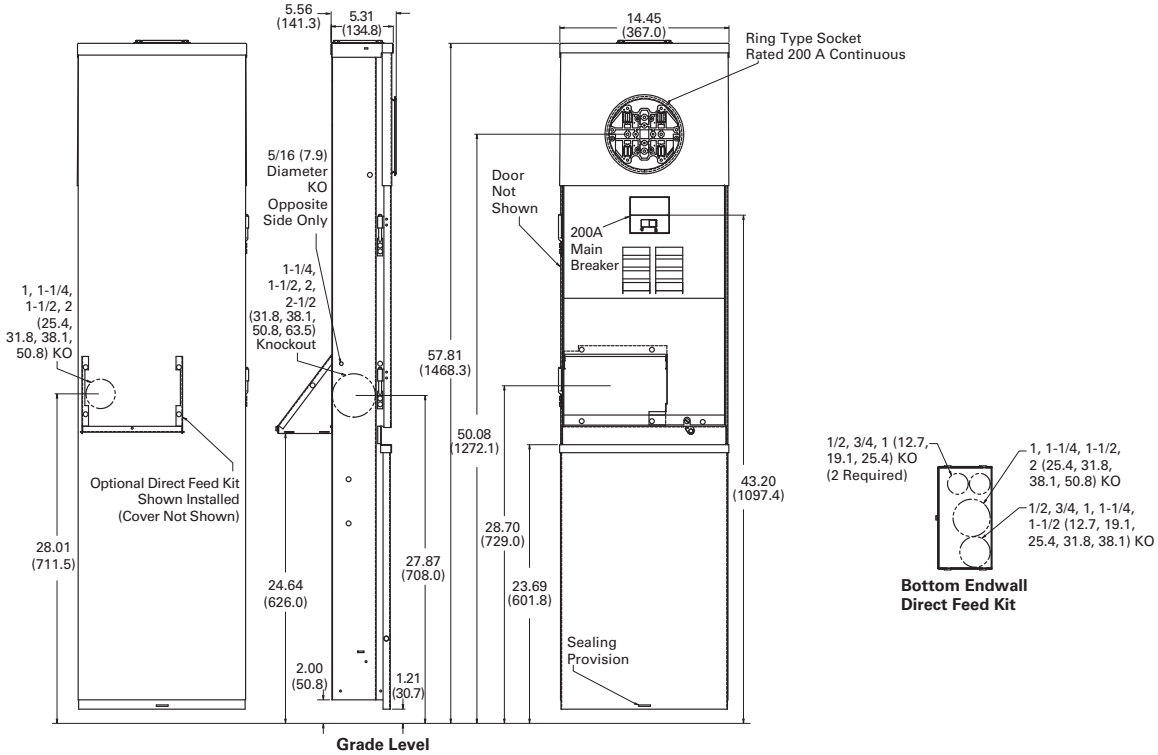
5.3

Power Pedestals

Mobile Home Panels

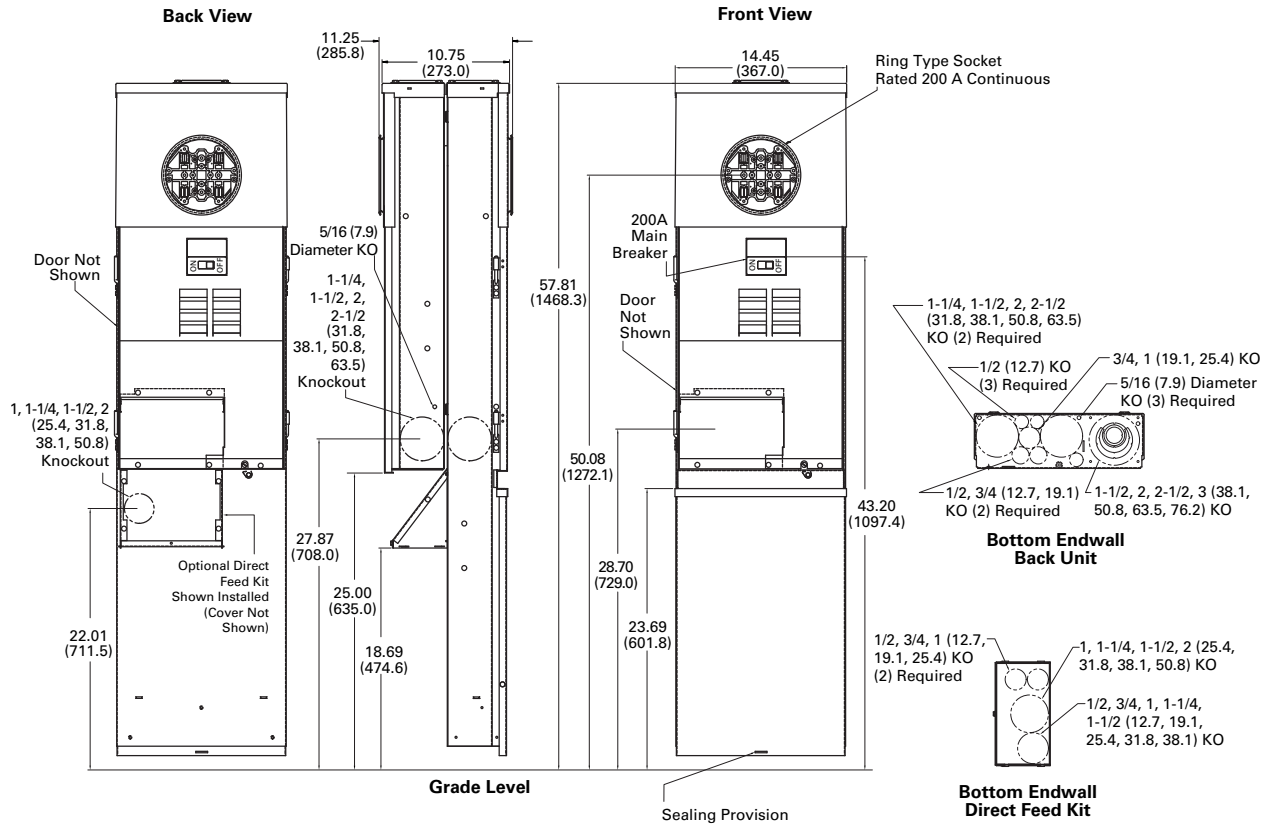
Approximate Dimensions in Inches (mm)

Mobile Home Panel—Ring—Pedestal Mounting



Approximate Dimensions in Inches (mm)

Mobile Home Panel—Ring—Back-to-Back Mounting



Recreational Vehicle/Campground Products

*High-Quality, Weatherproof Electrical Equipment*

5

Power Pedestals**Product Overview**

On March 24, 2006, RV Park Hook-Ups® joined together with Eaton to provide unmatched products and services in the recreational vehicle industry, as well as the marina industry. Known as the leader in electrical control, power distribution, and industrial automation products and services, Eaton is a quality driven company that constantly looks for ways to provide enhanced products and service solutions for their customers. Eaton will be able to provide RV park developers a complete electrical solution. For more information on the other products available from Eaton, visit us online at www.eaton.com or www.rvparkhookups.com

What Eaton has to Offer

- Complementary comprehensive in-house electrical designs for your complete RV or marina development
- RV and marina power pedestals
- Custom substations
- Transformers
- Panels
- Wire
- Digital electronic meters
- Receptacles and breakers
- Specialized electrical parts and equipment

Contents

Description	Page
Power Pedestals	
Product Selection Guide	V1-T5-29
Powerhouse Power Pedestal	V1-T5-30
Powerhouse—Stainless Steel (SS) Power Pedestal	V1-T5-33
Newport Camp Mate Power Pedestal	V1-T5-36
Park Light Power Pedestal	V1-T5-39
Firehouse	V1-T5-42
Digital Electronic Kilowatthour Meters	V1-T5-44
Distribution Equipment—Ground Fault Monitor	V1-T5-45
Distribution Equipment—Substations.	V1-T5-46
Distribution Equipment—Panels.	V1-T5-49
Distribution Equipment—Transformers.	V1-T5-50

Product Selection Guide

Power Receptacles



Power Outlets			Maximum GFI			
Side One	Side Two	Phase	Powerhouse	Powerhouse-SS	Newport Camp Mate	Park Light
None	None	1	2	2	2	2
30-20	00	1	2	2	1	1
30-20	30-20	1	2	2	—	—
30-30-20	30-30-20	1	2	2	—	—
30-20	50-20	1	2	2	—	—
30-30-20	50-20	1	2	2	—	—
30-30-20	30-50-20	1	2	2	—	—
30-30-20	50-50-20	1	2	2	—	—
30-50-20	30-50-20	1	2	2	—	—
30-50-20	50-50-20	1	2	2	—	—
50-20	None	1	2	2	—	—
50-20	50-20	1	2	2	—	—
50-50-20	50-20	1	2	2	—	—
50-50-20	50-50-20	1	2	2	—	—
30-50-20	None	1	2	2	0	—

Powerhouse Power Pedestal



Powerhouse Power Pedestal

Product Description

The Powerhouse® RV utility center is our most popular pedestal for single or double RV sites because of its full complement of standard features and available option packages able to meet any user requirement. The housing is made of durable weatherproof engineered resin and will never rust or deteriorate.

That's why it comes with a limited lifetime warranty. Since the Powerhouse can accommodate two RV sites, it's an economical pedestal for double site installation. This unit is ideal for new, or when retrofitting, full-service RV parks.

Features

- Photocell controlled 13 watt fluorescent light with amber lens
- Lockable weatherproof doors that protect receptacles and breakers
- Hose and cable brackets
- Engineered resin housing with a two-part polyurethane coating for a UV-resistant, long-lasting finish
- Limited lifetime warranty on the housing
- Loop-feed mechanical busbars that can accept up to 250 kcmil wire
- Hinged pedestal base providing easy access for installation and maintenance

Contents

<i>Description</i>	<i>Page</i>
Power Pedestals	V1-T5-28
Powerhouse Power Pedestal	
Standards and Certifications	V1-T5-31
Catalog Number Selection	V1-T5-31
Accessories	V1-T5-32
Dimensions	V1-T5-32
Powerhouse—Stainless Steel (SS) Power Pedestal	V1-T5-33
Newport Camp Mate Power Pedestal	V1-T5-36
Park Light Power Pedestal	V1-T5-39
Firehouse	V1-T5-42
Digital Electronic Kilowatthour Meters	V1-T5-44
Distribution Equipment—Ground Fault Monitor . .	V1-T5-45
Distribution Equipment—Substations	V1-T5-46
Distribution Equipment—Panels	V1-T5-49
Distribution Equipment—Transformers	V1-T5-50

Surge Protection

SurgeTrap is designed to protect electrical and electronic loads from transients and surge disturbances on your AC power line, such as voltage surges, spikes and lighting. The SurgeTrap has a lifetime warranty where Eaton will replace the SurgeTrap device at no charge.

- 175 kA maximum surge current
- 3500 joules
- Type 3R enclosure
- Comes with a protection working indicator light
- Factory installed integral to pedestal or available for retrofit

Available Options

- Clear lens
- Photocell controlled single or dual 7 watt or 13 watt fluorescent light
- Telephone (RJ-11) for each side
- Cable TV for each side
- High-speed Internet connector (RJ-45) for each side
- Water—single or dual 1/4-turn brass ball valves (brass "T" connection) with 3/4-inch hose bibs
- Water meters with remote capability
- Water—anti-siphon faucet
- Loop-feed 3/8-inch stud lug copper busbar for up to 250 kcmil wire (recommended for salt water environments)
- Single-feed mechanical busbars for up to 250 kcmil wire
- Digital electronic meter for each side
- Wireless remote reading of electronic kilowatt meters
- Meter socket for each side powered (to accept glass style meter)
- Direct burial ground mounting stand stainless or galvanized
- Custom paint color

Standards and Certifications

- UL/CSA listed



Catalog Number Selection

P D U 4 7 0 0 0 0 0 0 1 2 K M

Type

P = Powerhouse
Z = PHSS

Sides and Receptacles

	R1S1	R2S1	R3S1	R4S1	R1S2	R2S2	R3S2	R4S2
0	0	0	0	0	0	0	0	0
1	1	1	1	1	1	1	1	1
2	2	2	2	2	2	2	2	2
3	3	3	3	3	3	3	3	3
4	4	4	4	4	4	4	4	4
5	5	5	5	5	5	5	5	5
6	6	6	6	6	6	6	6	6
7	7	7	7	7	7	7	7	7
8	8	8	8	8	8	8	8	8

0 = None
1 = 20 A GFI duplex
2 = 30 A, 125 V
4 = 50 A, 125/250 V
5 = 100 A, 208 V
6 = 100 A, 250 V
7 = 100 A, 277/480 V
8 = 100 A, 480 V

Lighting and Lens Color

A = 7 W light	Amber
B = Dual 7 W light	Amber
C = 9 W light	Amber
D = 13 W light	Amber
E = Dual 13 W light	Amber
F = No lighting	Amber
G = 7 W light	Clear
H = Dual 7 W light	Clear
I = 9 W light	Clear
J = 13 W light	Clear
K = Dual 13 W light	Clear
L = No lighting	Clear
M = 7 W light	Special
N = Dual 7 W light	Special
O = 9 W light	Special
P = 13 W light	Special
Q = Dual 13 W light	Special
R = No lighting	Special
S = 350 MA LED	Amber
T = 700 MA LED	Amber
U = 350 MA LED	Clear
V = 700 MA LED	Clear
W = 350 MA LED	Special
Y = 700 MA LED	Special

Water Option ①

0 = 0
1 = 1
2 = 2
3 = Single water meter
4 = Dual water meter
5 = Single meter, 2 V
6 = 1 frost free
7 = 2 frost free

Extra Unmetered GFI Receptacles

0 = None
1 = 1
2 = 2

Phone Cable TV and Internet Options

	Phone Jack	Cable TV Jack	Internet Option
A =	1	0	0
B =	1	0	1
C =	1	0	2
D =	1	1	0
E =	1	1	1
F =	1	1	2
G =	1	2	0
H =	1	2	1
I =	1	2	2
J =	2	0	0
K =	2	0	1
L =	2	0	2
M =	2	1	0
N =	2	1	1
O =	2	1	2
P =	2	2	0
Q =	2	2	1
R =	2	2	2
S =	0	2	2
T =	0	0	1
U =	0	0	2
V =	0	1	0
W =	0	1	1
X =	0	1	2
Y =	0	2	0
Z =	0	2	1
0 =	0	0	0

Bus

S = Single-phase 3/8-inch copper busbar
F = Three-phase 3/8-inch copper busbar
C = Single-phase 3/8-inch Canadian busbar
T = Three-phase 3/8-inch Canadian busbar
M = Single-phase 300 kcmil mechanical lug bus
Z = Three-phase 300 kcmil mechanical lug bus
L = Single-phase 350 kcmil mechanical lug bus
P = Three-phase 350 kcmil mechanical lug bus
N = Single-phase 1/4-inch copper busbar
Q = Single-phase 1/4-inch split mechanical busbar
A = Single-phase 300 kcmil mechanical lug Canadian bus
B = Three-phase 300 kcmil mechanical lug Canadian bus
D = Single-phase 350 kcmil mechanical lug Canadian bus
E = Three-phase 350 kcmil mechanical lug Canadian bus

Receptacle: R1S1 = Receptacle 1, Side 1
 R2S1 = Receptacle 2, Side 1
 R3S1 = Receptacle 3, Side 1
 R1S2 = Receptacle 1, Side 2
 R2S2 = Receptacle 2, Side 2
 R3S2 = Receptacle 3, Side 2

Notes

- ① Number represents the quantity of 1/4-turn ball valves with 3/4-inch hose bibs.
- Internet option also available. Contact factory for details.

5.4

Power Pedestals

RV Park Hook-Ups

Accessories

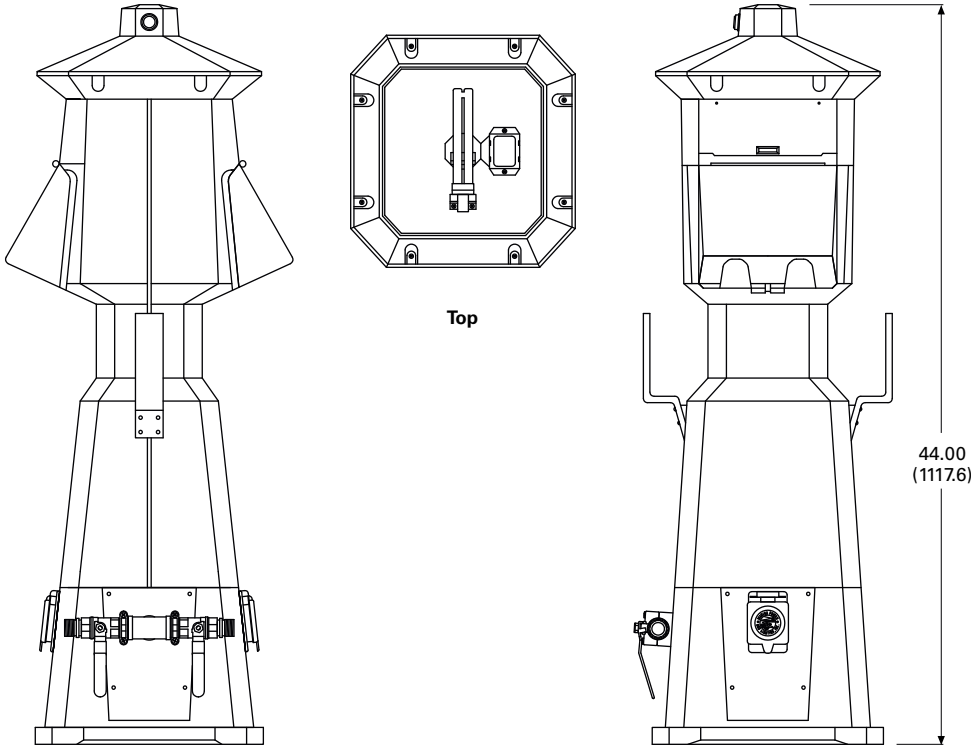
See **Page V1-T5-75**.

Dimensions

Approximate Dimensions in Inches (mm)

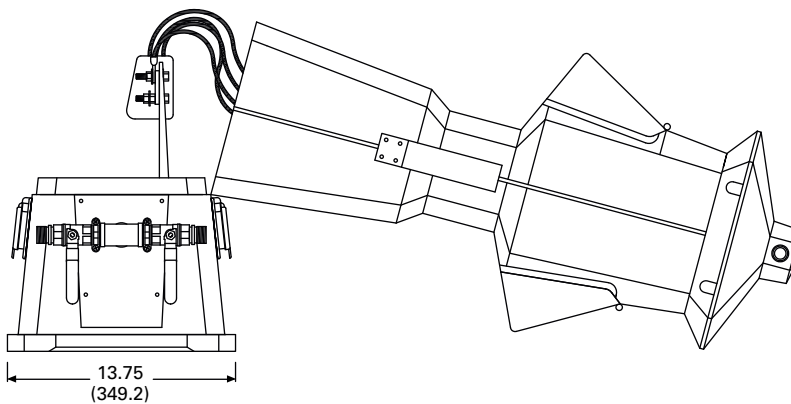
Powerhouse

5



Side View

Front View



Broken View

Powerhouse—Stainless Steel (SS) Power Pedestal



Contents

<i>Description</i>	<i>Page</i>
Power Pedestals	V1-T5-28
Powerhouse Power Pedestal	V1-T5-30
Powerhouse—Stainless Steel (SS) Power Pedestal	
Catalog Number Selection	V1-T5-34
Accessories	V1-T5-35
Dimensions	V1-T5-35
Newport Camp Mate Power Pedestal	V1-T5-36
Park Light Power Pedestal	V1-T5-39
Firehouse	V1-T5-42
Digital Electronic Kilowatthour Meters	V1-T5-44
Distribution Equipment—Ground Fault Monitor	V1-T5-45
Distribution Equipment—Substations.	V1-T5-46
Distribution Equipment—Panels.	V1-T5-49
Distribution Equipment—Transformers.	V1-T5-50

Powerhouse—Stainless Steel (SS) Power Pedestal

Product Description

For long-lasting durability and low maintenance, the new stainless steel Powerhouse-SS pedestal is the most resilient power center offered.

We have designed a stainless steel pedestal that will meet and exceed all applicable codes and withstand harsh inland and coastal environments.

Features

- Stainless steel housing with a limited lifetime warranty
- Photocell controlled 13 watt fluorescent light with amber lens
- Large removable access panel for easy installation and maintenance
- Weatherproof doors that protect receptacles and breakers
- Backlit faceplate to aid in hooking up at night
- Hose and cable brackets
- Powder-coated finish
- Loop-feed mechanical busbars that can accept up to 350 kcmil wire

Available Options

- Clear lens
- Photocell controlled single or dual 7 watt or 13 watt fluorescent light
- Telephone (RJ-11) for each side
- Cable TV for each side
- High-speed Internet connection (RJ-45) for each side
- Water—single or dual 1/4-turn brass ball valves (brass “T” connection) with 3/4-inch hose bibs
- Water meters with remote capability
- Water—anti-siphon faucet
- Direct burial stainless steel ground mounting stand
- Lockable doors
- Loop-feed 3/8-inch stud lug copper busbar for up to 350 kcmil wire (recommended for salt water environments)
- Single-feed mechanical busbars for up to 350 kcmil wire
- Digital electronic metering for each side
- Wireless remote reading of electronic kilowatt meters
- Meter socket for each side powered (to accept glass style meter)
- Four door design to add more outlets per pedestal

Catalog Number Selection

5

Z D U 4 7 0 0 0 0 0 1 2 K M

Type

P = Powerhouse
Z = PHSS

Lighting and Lens Color

A	= 7 W light	Amber
B	= Dual 7 W light	Amber
C	= 9 W light	Amber
D	= 13 W light	Amber
E	= Dual 13 W light	Amber
F	= No lighting	Amber
G	= 7 W light	Clear
H	= Dual 7 W light	Clear
I	= 9 W light	Clear
J	= 13 W light	Clear
K	= Dual 13 W light	Clear
L	= No lighting	Clear
M	= 7 W light	Special
N	= Dual 7 W light	Special
O	= 9 W light	Special
P	= 13 W light	Special
Q	= Dual 13 W light	Special
R	= No lighting	Special
S	= 350 MA LED	Amber
T	= 700 MA LED	Amber
U	= 350 MA LED	Clear
V	= 700 MA LED	Clear
W	= 350 MA LED	Special
Y	= 700 MA LED	Special

Metering Type

U = Unmetered
D = Digital electronic meters (side one)
T = Digital electronic meters (side two)
B = Digital electronic meters (both sides)
R = Receptacles metered individually
M = One meter socket (100 A)
N = Two meter socket (100 A each)

Sides and Receptacles

	R1S1	R2S1	R3S1	R4S1	R1S2	R2S2	R3S2	R4S2
0	0	0	0	0	0	0	0	0
1	1	1	1	1	1	1	1	1
2	2	2	2	2	2	2	2	2
3	3	3	3	3	3	3	3	3
4	4	4	4	4	4	4	4	4
5	5	5	5	5	5	5	5	5
6	6	6	6	6	6	6	6	6
7	7	7	7	7	7	7	7	7
8	8	8	8	8	8	8	8	8

0 = None
1 = 20 A GFI duplex
2 = 30 A, 125 V
4 = 50 A, 125/250 V
5 = 100 A, 208 V
6 = 100 A, 250 V
7 = 100 A, 277/480 V
8 = 100 A, 480 V

Water Option ①

0 = 0
1 = 1
2 = 2
3 = Single water meter
4 = Dual water meter
5 = Single meter, 2 V
6 = 1 frost free
7 = 2 frost free

Extra Unmetered GFI Receptacles

0 = None
1 = 1
2 = 2

Phone Cable TV and Internet Options

	Phone Jack	Cable TV Jack	Internet Option
A	= 1	0	0
B	= 1	0	1
C	= 1	0	2
D	= 1	1	0
E	= 1	1	1
F	= 1	1	2
G	= 1	2	0
H	= 1	2	1
I	= 1	2	2
J	= 2	0	0
K	= 2	0	1
L	= 2	0	2
M	= 2	1	0
N	= 2	1	1
O	= 2	1	2
P	= 2	2	0
Q	= 2	2	1
R	= 2	2	2
S	= 0	2	2
T	= 0	0	1
U	= 0	0	2
V	= 0	1	0
W	= 0	1	1
X	= 0	1	2
Y	= 0	2	0
Z	= 0	2	1
0	= 0	0	0

Bus

S = Single-phase 3/8-inch copper busbar
F = Three-phase 3/8-inch copper busbar
C = Single-phase 3/8-inch Canadian busbar
T = Three-phase 3/8-inch Canadian busbar
M = Single-phase 300 kcmil mechanical lug bus
Z = Three-phase 300 kcmil mechanical lug bus
L = Single-phase 350 kcmil mechanical lug bus
P = Three-phase 350 kcmil mechanical lug bus
N = Single-phase 1/4-inch copper busbar
Q = Single-phase 1/4-inch split mechanical busbar
A = Single-phase 300 kcmil mechanical lug Canadian bus
B = Three-phase 300 kcmil mechanical lug Canadian bus
D = Single-phase 350 kcmil mechanical lug Canadian bus
E = Three-phase 350 kcmil mechanical lug Canadian bus

Receptacle: R1S1 = Receptacle 1, Side 1
R2S1 = Receptacle 2, Side 1
R3S1 = Receptacle 3, Side 1
R1S2 = Receptacle 1, Side 2
R2S2 = Receptacle 2, Side 2
R3S2 = Receptacle 3, Side 2

Notes

① Number represents the quantity of 1/4-turn ball valves with 3/4-inch hose bibs.

Internet option also available. Contact factory for details.

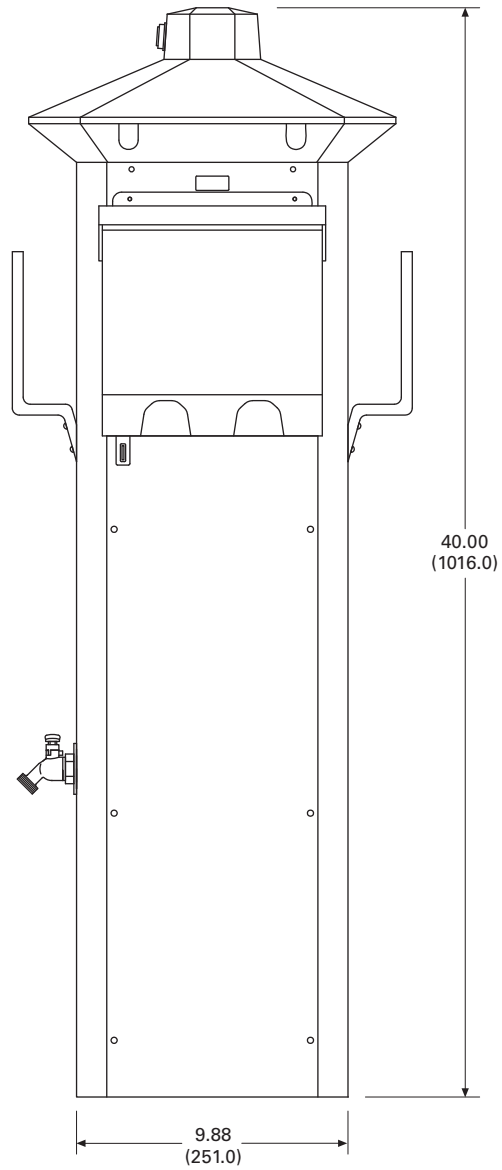
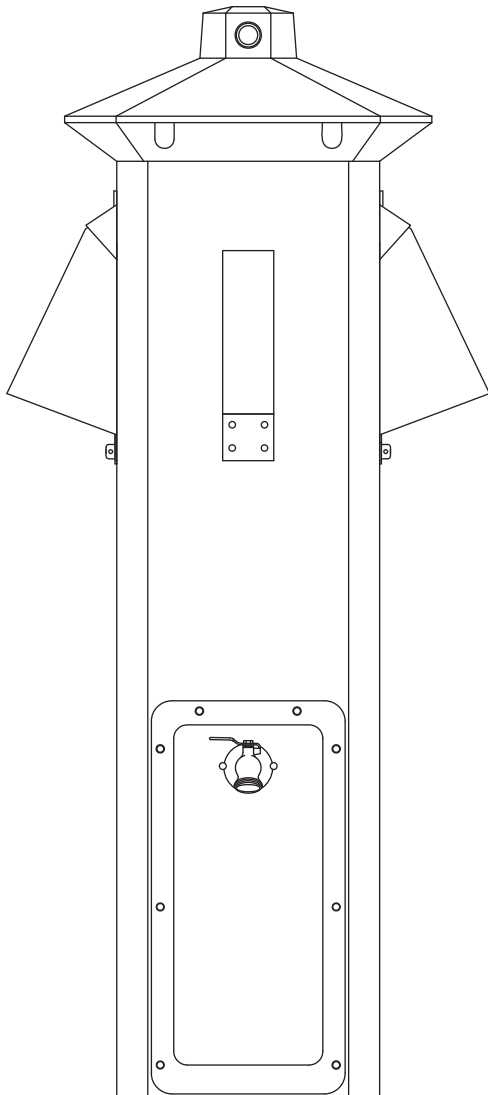
Accessories

See **Page V1-T5-75**.

Dimensions

Approximate Dimensions in Inches (mm)

Powerhouse—Stainless Steel (SS)



Newport Camp Mate Power Pedestal



Newport Camp Mate Power Pedestal

Product Description

The Newport Camp Mate provides many of the features and options of our other full-size pedestals, but in a compact self-contained unit. This model provides more mounting options to RV park owners than any other model. It can be mounted to our stainless steel stand either flanged or direct burial, a post or any wall.

It comes standard with a resin housing that will never rust or deteriorate and provides area lighting as well as aiding in hooking up at night. This unit is especially suitable to many RV park renovation projects as well as new RV parks.

Features

- Photocell controlled 7 watt fluorescent light with amber lens
- Lockable weatherproof door that protects receptacles and breakers
- Engineered resin housing
- Limited lifetime warranty on the housing
- Designed to mount on a post, wall or an optional custom stand
- Loop-feed 1/4-inch copper stud lug busbars that can accept 2/0 AWG wire for Camp Mate without optional stand
- Loop-feed mechanical busbars that can accept up to 2/0 AWG wire for Camp Mate on optional stand

Contents

<i>Description</i>	<i>Page</i>
Power Pedestals	V1-T5-28
Powerhouse Power Pedestal	V1-T5-30
Powerhouse—Stainless Steel (SS) Power Pedestal	V1-T5-33
Newport Camp Mate Power Pedestal	
Catalog Number Selection	V1-T5-37
Accessories	V1-T5-38
Dimensions	V1-T5-38
Park Light Power Pedestal	V1-T5-39
Firehouse	V1-T5-42
Digital Electronic Kilowatt-hour Meters	V1-T5-44
Distribution Equipment—Ground Fault Monitor	V1-T5-45
Distribution Equipment—Substations	V1-T5-46
Distribution Equipment—Panels	V1-T5-49
Distribution Equipment—Transformers	V1-T5-50

Available Options

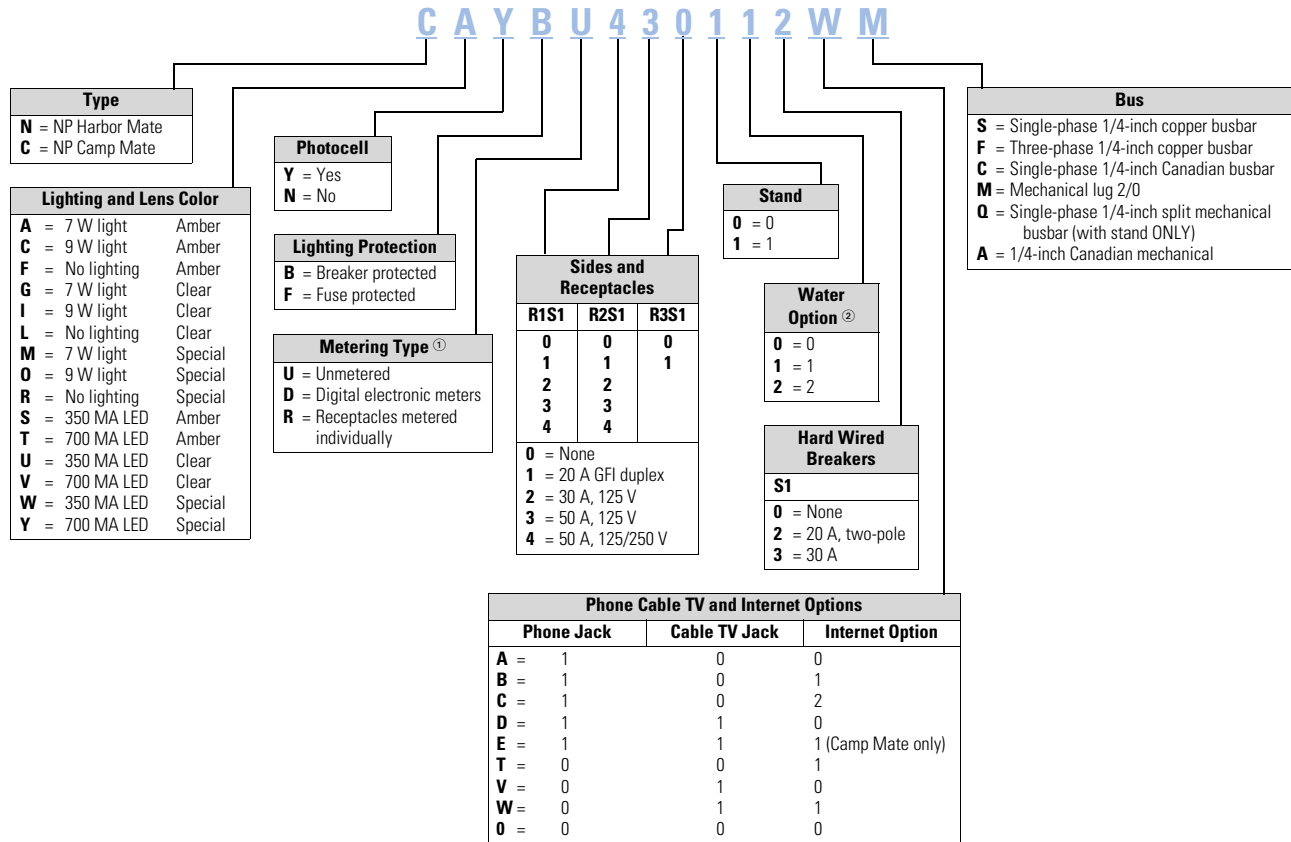
- 36-inch stainless steel stand
- 40-inch stainless steel pad-mounted stand
- 60-inch direct burial stainless steel stand
- Telephone (RJ-11)
- Cable TV
- High-speed Internet connector (RJ-45)
- Water—single or dual 1/4-turn brass ball valves (brass “T” connection) with 3/4-inch hose bibs mounted on optional stand
- Water—anti-siphon backflow preventer
- Loop feed 3/8-inch stud lug copper busbar for up to 350 kcmil wire with stand (recommended for salt water environments)
- Single-feed mechanical busbars for up to 350 kcmil wire available with stand
- Digital electronic meter
- Wireless remote reading of electronic kilowatt meter
- Meter socket available with aluminum stands (to accept glass style meter)

Standards and Certifications

The Newport Camp Mate is UL listed and comes with a limited lifetime warranty on the housing.



Catalog Number Selection



Receptacle: R1 = Receptacle 1
R2 = Receptacle 2
R3 = Receptacle 3

Notes

- ① 20 A GFIs not metered.
- ② Number represents the quantity of 1/4-turn ball valves with 3/4-inch hose bibs (with stand only).

5.4

Power Pedestals

RV Park Hook-Ups

Accessories

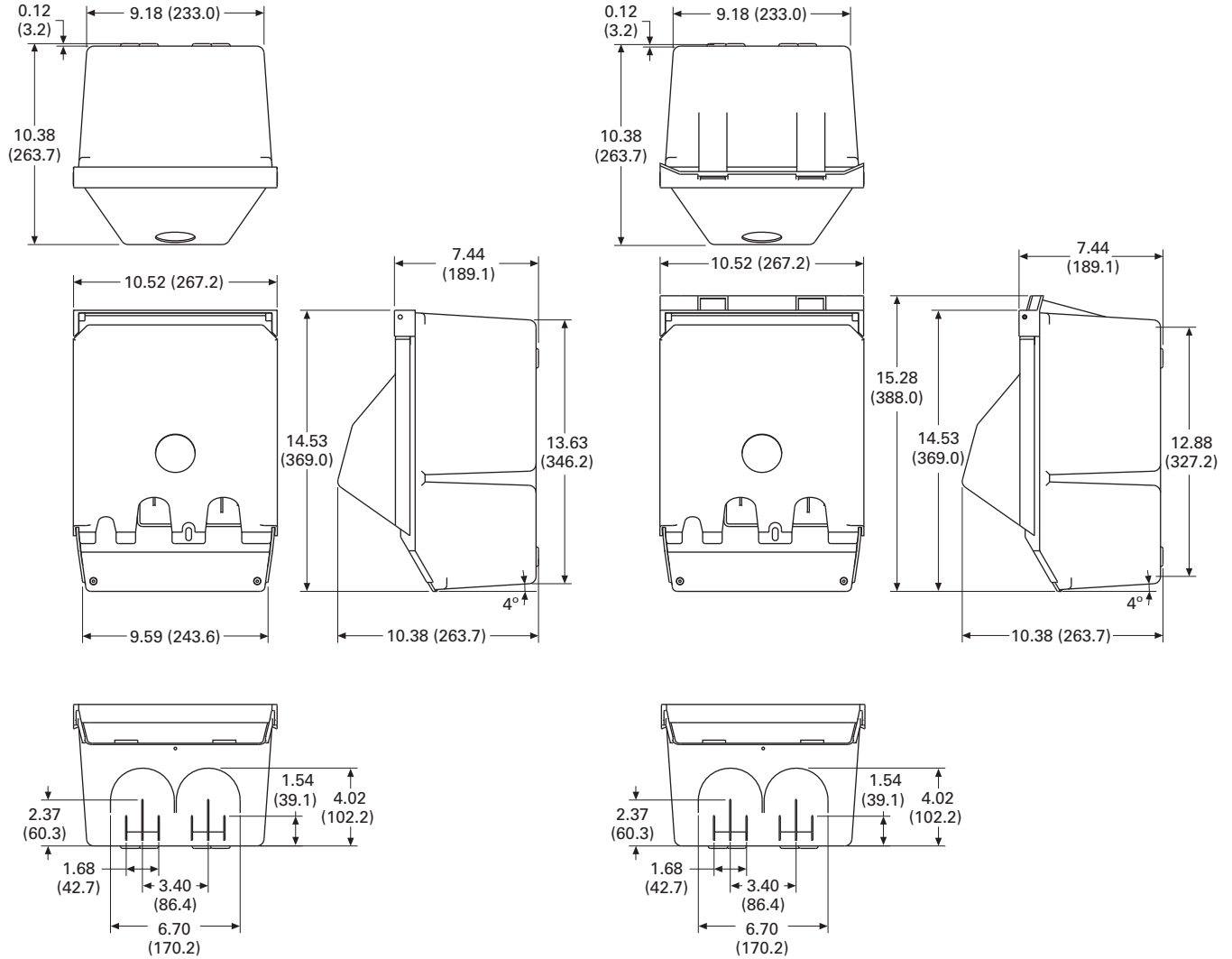
See **Page V1-T5-75**.

Dimensions

Approximate Dimensions in Inches (mm)

Newport Camp Mate

5



Newport Redesign

Newport Redesign With Meters

Park Light Power Pedestal



Park Light Power Pedestal

Product Description

The elegant design of the Park Light complements park landscaping and provides essential lighting required for park safety and security for campground paths, walkways, recreational areas and even pools. The Park Light has the same 360 degree lighting design as the Powerhouse and a resin housing that will never rust or deteriorate.

At 10¢/kWH, it will provide area lighting at a cost of less than 50¢/month and the bulbs will last for about three years. The Park Light is a perfect lighting fixture for any campground and especially for RV parks with Powerhouse utility centers.

Features

- Photocell controlled dual 13 watt fluorescent light with amber lens
- Engineered resin housing with a two-part polyurethane coating for a UV-resistant, long-lasting finish
- Limited lifetime warranty on the housing
- Loop-feed 1/4-inch stud lug copper busbars that can accept 2/0 AWG wire

Contents

<i>Description</i>	<i>Page</i>
Power Pedestals	V1-T5-28
Powerhouse Power Pedestal	V1-T5-30
Powerhouse—Stainless Steel (SS) Power Pedestal	V1-T5-33
Newport Camp Mate Power Pedestal	V1-T5-36
Park Light Power Pedestal	
Catalog Number Selection	V1-T5-40
Accessories	V1-T5-41
Dimensions	V1-T5-41
Firehouse	V1-T5-42
Digital Electronic Kilowatt-hour Meters	V1-T5-44
Distribution Equipment—Ground Fault Monitor	V1-T5-45
Distribution Equipment—Substations	V1-T5-46
Distribution Equipment—Panels	V1-T5-49
Distribution Equipment—Transformers	V1-T5-50

Available Options

- Clear lens
- Photocell controlled single or dual 7 watt or 13 watt fluorescent light
- Phone (RJ-11)
- Cable TV
- High-speed Internet (RJ-45)
- Water faucet(s) with 3/4-inch hose bib
- Water—anti-siphon backflow preventer
- Digital electronic meter
- Wireless remote reading of electronic kilowatt meter
- Direct burial ground mounting stand
- Custom paint color

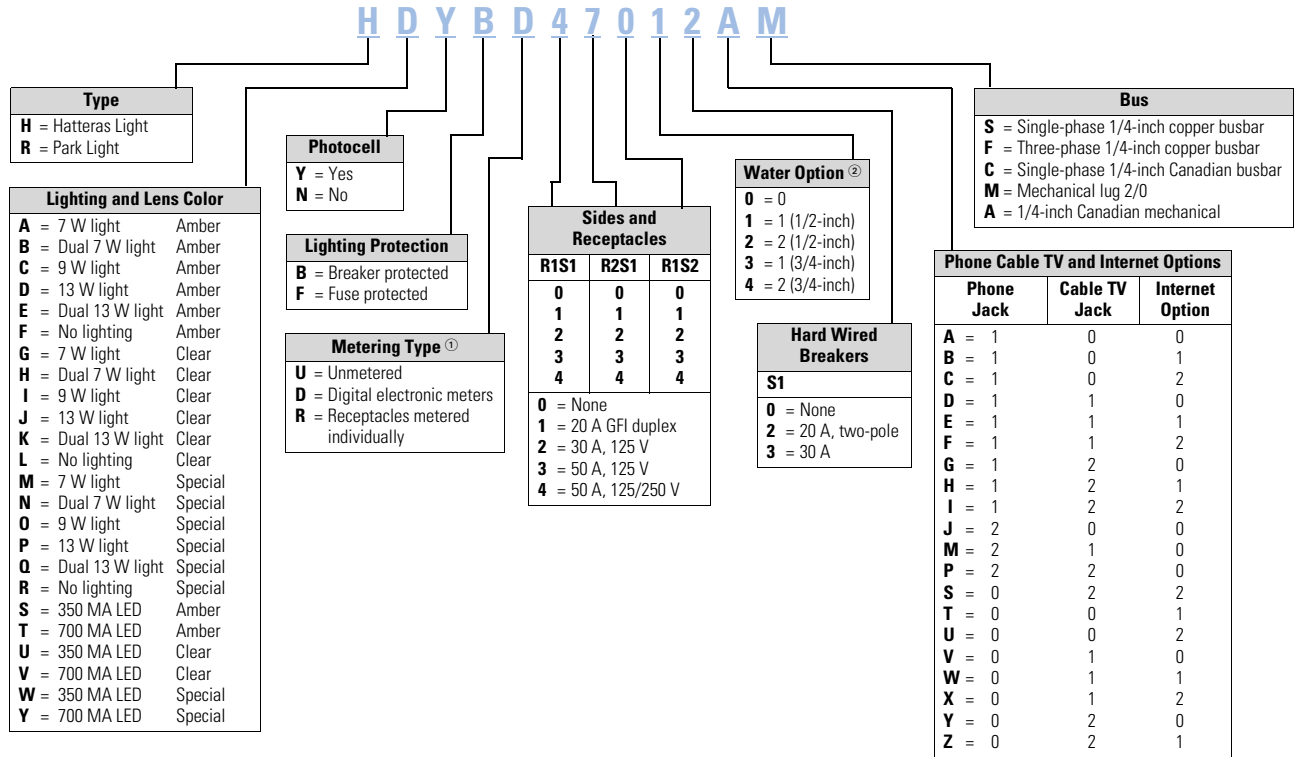
Standards and Certifications

The housing has a limited lifetime warranty, and the unit is UL listed.



Catalog Number Selection

5



Receptacle: R1 = Receptacle 1, Side 1
R2 = Receptacle 2, Side 2

Notes

- ① 20 A GFIs not metered.
- ② Number represents the quantity of 1/4-turn ball valves with 3/4-inch hose bibs (with stand only).

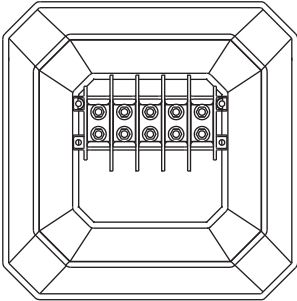
Accessories

See **Page V1-T5-75**.

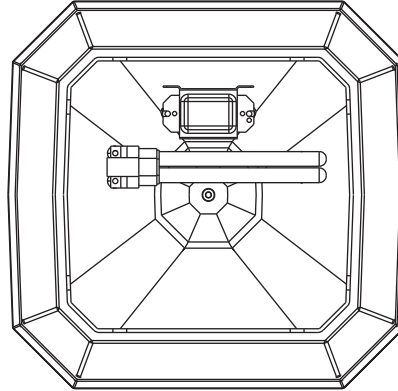
Dimensions

Approximate Dimensions in Inches (mm)

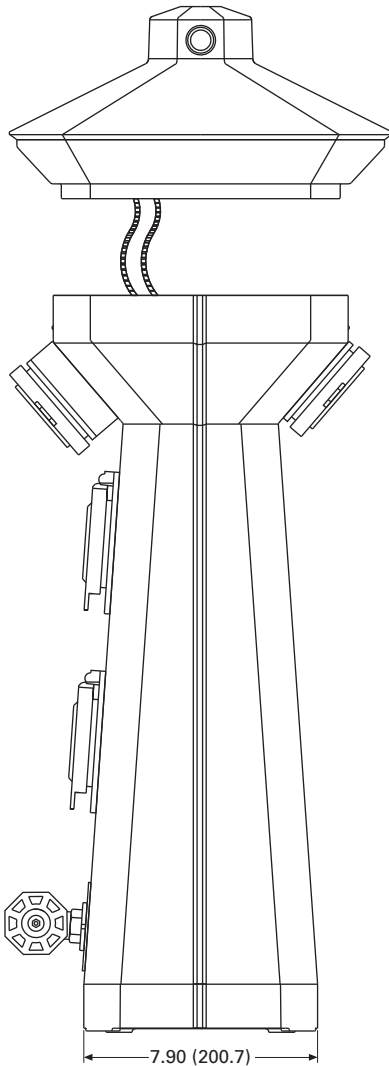
Park Light



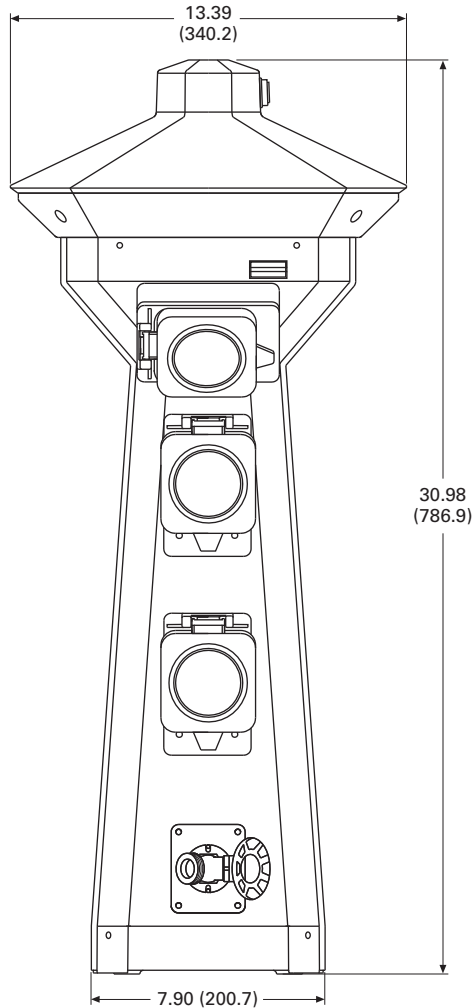
Busbar Access Top Removed



Inside Top



Side View



Front View

Firehouse



Contents

<i>Description</i>	<i>Page</i>
Power Pedestals	V1-T5-28
Powerhouse Power Pedestal	V1-T5-30
Powerhouse—Stainless Steel (SS) Power Pedestal	V1-T5-33
Newport Camp Mate Power Pedestal	V1-T5-36
Park Light Power Pedestal	V1-T5-39
Firehouse	
Accessories	V1-T5-43
Dimensions	V1-T5-43
Digital Electronic Kilowatt-hour Meters	V1-T5-44
Distribution Equipment—Ground Fault Monitor	V1-T5-45
Distribution Equipment—Substations	V1-T5-46
Distribution Equipment—Panels	V1-T5-49
Distribution Equipment—Transformers	V1-T5-50

Firehouse

Product Description

The Firehouse is designed to provide added fire safety to RV parks and campgrounds. The Firehouse provides a convenient location and easy access to fire extinguishers and to an optional life ring when installed around pools and waterfront amenities.

In addition, the Firehouse provides area lighting for easy identification during an emergency and for security lighting around the unit. The Firehouse can be equipped with an alarm strobe light and siren, which are automatically activated when the fire extinguisher cabinet door is opened or the optional life ring is removed.

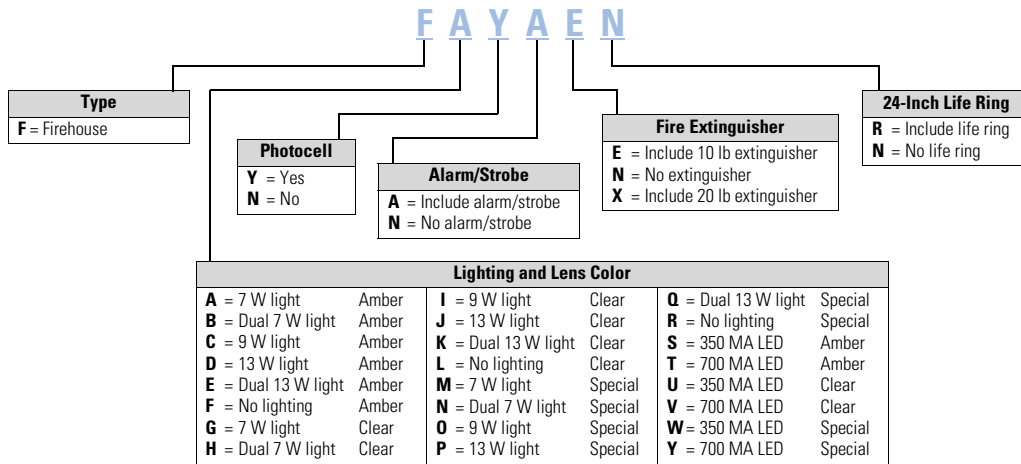
Features

- Photocell controlled 13 watt fluorescent light
- Amber lens for bug reduction
- 10 lb ABC Type fire extinguisher
- Stainless steel housing with oven-baked enamel finish with an engineered resin base and top
- Limited lifetime warranty on the housing

Available Options

- Alarm strobe light and siren
- Optional 24-inch white or orange life ring for poolside or dockside installations
- 20 lb ABC Type fire extinguisher

Catalog Number Selection



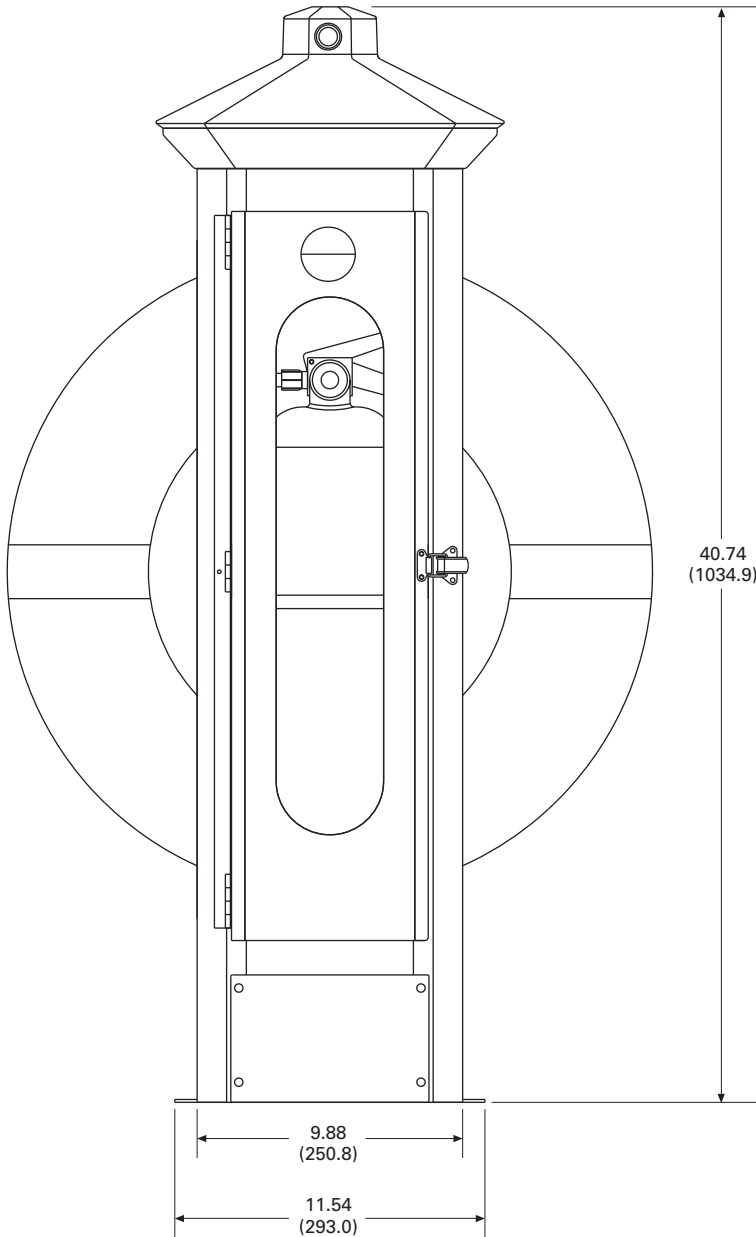
Accessories

See **Page V1-T5-75**.

Dimensions

Approximate Dimensions in Inches (mm)

Firehouse-SS



Digital Electronic Kilowattour Meters



Digital Electronic Kilowattour Meters

Product Description

Using the latest surface mount technology, Eaton manufactures a digital electronic kilowatt hour meter that exceeds the +/- 2% accuracy required by ANSI (American National Standards Institute) C-12.1 and is approved by the state of California at +/- 1% over the full range of 0–100 A from a 0.5 to 1 power factor and is available for both single- and three-phase applications.

The meter drives an electro-mechanical counter that requires a 12 V pulse each tenth of a kilowattour, providing 10 pulses per kilowatt used. The meter output can be hard wired or connected to a transmitter in the pedestal for wireless transmission to a receiver displaying the output on a PC for direct billing of up to 1,000 individual customers.

Features

Our meter is designed to be user friendly in that all connections from external sources and the meter output are through one 14-pin locking connector. This feature eliminates many common problems, such as reverse line polarity and improper coil polarity. Simple LEDs, both red and green, indicate line and load condition and the pulsed LED indicates the rate of power consumption.

Wireless System

All of our meters are “wireless capable” to allow for wireless meter reading. This technology enables the marina or RV park to get meter readings from one central location rather than visiting every site to read the counters.

Meter Socket Capabilities

Meter sockets are available on the Powerhouse and Powerhouse–SS.

Standard:

- Four jaw
- Ring-type
- 100 A

Contents

<i>Description</i>	<i>Page</i>
Power Pedestals	V1-T5-28
Powerhouse Power Pedestal	V1-T5-30
Powerhouse—Stainless Steel (SS) Power Pedestal	V1-T5-33
Newport Camp Mate Power Pedestal	V1-T5-36
Park Light Power Pedestal	V1-T5-39
Firehouse	V1-T5-42
Digital Electronic Kilowattour Meters	
Distribution Equipment—Ground Fault Monitor	V1-T5-45
Distribution Equipment—Substations.	V1-T5-46
Distribution Equipment—Panels.	V1-T5-49
Distribution Equipment—Transformers.	V1-T5-50

Available Options

- 200 A (SS only)
- Lockable hasp
- Ringless (SS only)
- Five jaw
- Seven jaw (SS only)

Product Selection



One Element Meter

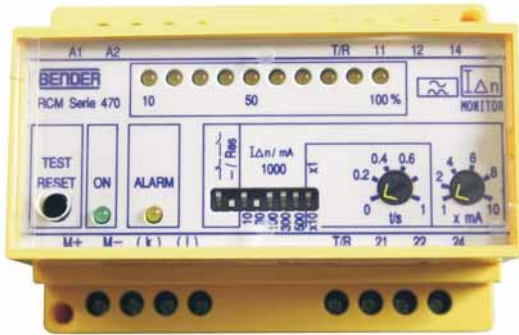


Two Element Meter



Three Element Meter

Ground Fault Monitor



Contents

<i>Description</i>	<i>Page</i>
Power Pedestals	V1-T5-28
Powerhouse Power Pedestal	V1-T5-30
Powerhouse—Stainless Steel (SS) Power Pedestal	V1-T5-33
Newport Camp Mate Power Pedestal	V1-T5-36
Park Light Power Pedestal	V1-T5-39
Firehouse	V1-T5-42
Digital Electronic Kilowatthour Meters	V1-T5-44
Distribution Equipment—Ground Fault Monitor	V1-T5-46
Distribution Equipment—Substations.	V1-T5-49
Distribution Equipment—Panels.	V1-T5-49
Distribution Equipment—Transformers.	V1-T5-50

Distribution Equipment—Ground Fault Monitor

Product Description

New to our product offering are ground fault monitoring systems designed to detect fault currents in the AC shore power system that are too low to trip a circuit breaker. The Ground Fault Monitor helps reduce the risk of injury or property damage, which may result from stray fault currents. Our ground fault monitoring system provides information to the maintenance staff on the overall condition of the AC electrical system. The ground fault monitoring system operates 24 hours a day and can be monitored by non-technical personnel.

Features

- UL listed current transformers
- Adjustable trip level 10 mA to 10 A
- Current transformers up to 8 1/4-inch diameter
- Visual and/or audible alarm
- Housing of fiberglass or powder coated stainless steel available

Power Guard

The ground fault monitor detects ground fault currents by means of current transformers (CT), which are placed around main or branch circuits. If a ground fault occurs, the CT will detect the amount of fault current and send a signal to the ground fault monitoring device where the amount of fault current is displayed with the faulty circuit identified. The detected fault can either activate an indicator alarm or disconnect the faulted circuit.

Substations



Side-by-Side Substation

5

Distribution Equipment—Substations

Product Description

The introduction of substations into the marina and recreational vehicle market allows Eaton to be your complete marina and RV park electrical products supplier. We are able to assist in the design and layout of your marina or RV park electrical system from the primary service provider to your power pedestal. Our substations are designed for any coastal or inland environment and are constructed of powder-coated stainless steel NEMA 3R housing cabinets. All substation cabinets come with our limited lifetime warranty. All of our substations use Eaton's panels and circuit breakers, providing our customers the utmost in circuit protection and quality.

Application Description

The aluminum and Galvaneal cabinets are recommended for inland applications. The substations can be configured with 50 to 330 kVA single-phase or three-phase copper wound transformers and up to 20 single-phase or 12 three-phase branch breakers. An optional three-sided double-wall cabinet is available that provides air flow between the panels. All substations come standard with temperature-controlled cooling fans.

Contents

<i>Description</i>	<i>Page</i>
Power Pedestals	V1-T5-28
Powerhouse Power Pedestal	V1-T5-30
Powerhouse—Stainless Steel (SS) Power Pedestal	V1-T5-33
Newport Camp Mate Power Pedestal	V1-T5-36
Park Light Power Pedestal	V1-T5-39
Firehouse	V1-T5-42
Digital Electronic Kilowatt-hour Meters	V1-T5-44
Distribution Equipment—Ground Fault Monitor	V1-T5-45
Distribution Equipment—Substations	
Features, Benefits and Functions	V1-T5-47
Available Options	V1-T5-48
Standards and Certifications	V1-T5-48
Dimensions	V1-T5-48
Distribution Equipment—Panels	V1-T5-49
Distribution Equipment—Transformers	V1-T5-50

Product Selection Guide

Panel and Transformer Combinations

Panel	Transformer
Single-Phase	
200 A	50 kVA
300 A	75 kVA
400 A	100 kVA
600 A	150 kVA
700 A	167.5 kVA
800 A	200 kVA
1000 A	250 kVA
1200 A	330 kVA
Three-Phase	
100 A	45 kVA
200 A	75 kVA
300 A	112.5 kVA
400 A	150 kVA
600 A	225 kVA
800 A	300 kVA

Features, Benefits and Functions

- Limited lifetime warranty on the housing
- All stainless steel hardware
- Temperature controlled cooling fans in the transformer and circuit breaker compartments
- Lockable door

Ventilation

The substation ventilation is designed to optimize air circulation over and around the transformers and through the panel compartment so that the substation operates at lower temperatures.

Substations come equipped with temperature-controlled cooling fans for exhausting hot air from the cabinet and solar shield.

In addition, substations are available with a double-walled cabinet and solar shield, which allow for cooling of both the exterior surface of the cabinet and the internal components.

Substations

Stainless steel housing with polyester powder coating

Limited lifetime warranty on the housing

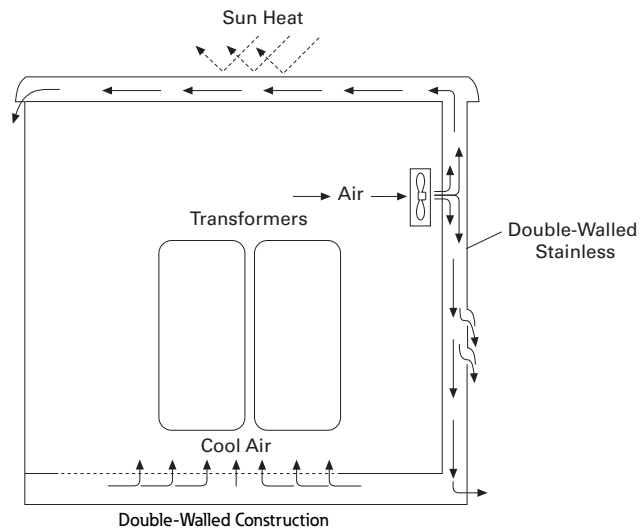
Stainless steel hardware with locking doors

Temperature-controlled fans for cooling



Custom made to your specifications: Single-phase or three-phase copper wound transformers 50 to 330 kVA

Up to 1200 A main circuit breaker with 20 single-phase or 12 three-phase branch circuit breakers



Available Options

- Powder-coated cabinets made of stainless steel or fiberglass
- Limited lifetime warranty on housing. Transformer and secondary distribution panel in a single enclosure have a one-year limited warranty
- Stainless steel housing and hardware with locking doors
- Single-phase and three-phase models
- Overload capacity meets ANSI L57.96–01.250
- Optional double-walled construction
- Temperature-controlled fans for cooling
- Custom-made copper wound single-phase or three-phase transformers from 50 to 330 kVA
- Up to 1200 A main circuit breaker with 15 single-phase branch circuit breakers or 10 three-phase branch circuit breakers
- Substations can be equipped with photocells to turn on and off lights
- A 20 A GFI can be installed in the cabinet, as well as a ground fault monitoring system

Standards and Certifications

- cULus listed

**Dimensions**

Approximate Dimensions in Inches (mm)

Substations**Standard Substation**

Height	53.00 (1346.2)
Width	51.00 (1295.4)
Depth	33.00 (838.2)

Side-by-Side Substation

Height	53.00 (1346.2)
Width	66.00 (1676.4)
Depth	30.00 (762.0)

Double Panel Substation

Height	53.00 (1346.2)
Width	63.00 (1600.2)
Depth	33.00 (838.2)

Panels



Contents

<i>Description</i>	<i>Page</i>
Power Pedestals	V1-T5-28
Powerhouse Power Pedestal	V1-T5-30
Powerhouse—Stainless Steel (SS) Power Pedestal	V1-T5-33
Newport Camp Mate Power Pedestal	V1-T5-36
Park Light Power Pedestal	V1-T5-39
Firehouse	V1-T5-42
Digital Electronic Kilowatthour Meters	V1-T5-44
Distribution Equipment—Ground Fault Monitor	V1-T5-45
Distribution Equipment—Substations.	V1-T5-46
Distribution Equipment—Panels	V1-T5-46
Distribution Equipment—Transformers.	V1-T5-50

Distribution Equipment—Panels

Product Description

We now can offer our customers Eaton’s PRL-3A and PRL-4 panels as stand-alone units or in one of our substations. All of our busses are made of copper and are load rated, breakers are bolt-on type. Distribution panels can be single-phase or three-phase based on your system requirements. Distribution panels can also have a main breaker or a main lug. Branch circuit breakers are provided based on customer requirements.

Features

- All internal wiring is fine stranded 2000 V insulated copper
- Copper busbars
- All exterior hardware is stainless steel

Available Options

- NEMA 3R or 4X
- Powder-coated stainless steel
- Main breaker up to 1200 A
- Branch breaker 20 to 1200 A
- Main lug only
- We also offer 480 V models—single-phase and three-phase

Standards and Certifications

- UL listed
- cULus listed



Single-Phase

- Up to 1200 A main circuit breakers
- Up to 42 branch circuit breakers

Three-Phase

- Up to 1200 A main circuit breakers
- Up to 42 branch circuit breakers

Transformers



5

Distribution Equipment—Transformers

Product Description

Because of the high humidity and corrosive conditions of coastal environments, our transformers are wound with Class H heavily insulated copper bar and are double dipped in tough insulating varnish that protects the copper, as well as reduces the hum that is typical in a transformer that is not double dipped. For marine applications, we provide a third overcoat of high temperature epoxy to protect against the severe saltwater environment. We can provide this transformer in single-phase, from 50 to 500 kVA, and three-phase, from 45 to 300 kVA.

Features

- Copper wound transformer coils double dipped in high temperature baking varnish
- Copper terminations
- Marine transformers with epoxy overcoat
- All copper-to-copper connections

Contents

Description

<i>Description</i>	<i>Page</i>
Power Pedestals	V1-T5-28
Product Selection Guide	V1-T5-29
Powerhouse Power Pedestal	V1-T5-30
Powerhouse—Stainless Steel (SS) Power Pedestal	V1-T5-33
Newport Camp Mate Power Pedestal	V1-T5-36
Park Light Power Pedestal	V1-T5-39
Firehouse	V1-T5-42
Digital Electronic Kilowatt-hour Meters	V1-T5-44
Distribution Equipment—Ground Fault Monitor	V1-T5-45
Distribution Equipment—Substations	V1-T5-46
Distribution Equipment—Panels	V1-T5-49
Distribution Equipment—Transformers	

Available Options

- Single-phase: 50–500 kVA
- Three-phase: 45–300 kVA
- Epoxy overcoat for non-marine applications

Standards and Certifications

- cULus listed



Primary Voltages

- 480 wye three-phase
- 480 V three-phase delta three-wire + ground
- 480 V single-phase two-wire + ground

Secondary Voltages

- 127/220 V three-phase wye four-wire
- 120/208 V three-phase wye four-wire
- 120/240 V single-phase three-wire

Marina Power Distribution Transformer kVA Availabilities

- Single-phase: 50, 75, 100, 150, 167.5, 200, 250, 330, 500 kVA
- Three-phase: 45, 75, 112.5, 150, 225, 300 kVA

Marina Power and Lighting Equipment



High-Quality, Weatherproof Electrical Equipment

Contents

<i>Description</i>	<i>Page</i>
Power Pedestals	
Product Selection Guide	V1-T5-52
Lighthouse	V1-T5-54
Lighthouse-SS	V1-T5-58
Admiral-SS	V1-T5-62
Newport Harbor Mate.	V1-T5-65
Hatteras Light	V1-T5-69
Firehouse	V1-T5-73
Smart Start	V1-T5-79
Mariner	V1-T5-80
Digital Electronic Kilowatthour Meters	V1-T5-81
Distribution Equipment—Ground Fault Monitor	V1-T5-82
Distribution Equipment—Mega Yacht Powerpoint	V1-T5-83
Distribution Equipment—Substations.	V1-T5-86
Distribution Equipment—Panels.	V1-T5-89
Distribution Equipment—Transformers.	V1-T5-90



Power Pedestals

Product Overview

Known as a leader in electrical control, power distribution, and industrial automation products and services, Eaton is a quality driven company that constantly looks for ways to provide enhanced product and service solutions for their customers. Eaton will be able to provide Marina developers a complete electrical solution. For more information on the other products available from Eaton, visit us online at www.eaton.com or www.marinapower.com.

What Eaton has to Offer

- Eaton has more marina power outlets in service than all other suppliers combined
- We offer complementary comprehensive in-house electrical designs for your complete marina development using all high quality Eaton products
- We can provide your marina development with complete remote wireless digital electronic meter reading
- Not only can Eaton provide your marina with the highest quality power pedestals and marine distribution equipment, we can also supply your entire electrical needs for your surrounding development and beyond from safety switches to loadcenters and much more

Product Selection Guide

Power Pedestal Quick Guide

	Lighthouse	Lighthouse-SS	Hatteras Light	Newport Harbor Mate	Admiral-SS	Firehouse	Mariner	Lookout	Power Point
Main housing	Engineered resin	Stainless steel	Engineered resin	Engineered resin	Stainless steel	Stainless steel	Engineered resin	Stainless steel	Stainless steel
Top	Engineered resin	Engineered resin	Engineered resin	Engineered resin	Stainless steel	Engineered resin	Engineered resin	Stainless steel	Stainless steel
Optional stand	—	—	—	Stainless steel	—	—	PVC	—	—
External hardware	Stainless steel	Stainless steel	Stainless steel	Stainless steel	Stainless steel	Stainless steel	Stainless steel	Stainless steel	Stainless steel
Standard lightwattage(s)	13 W	13 W	13 W	7 W	13 W	13 W	5 W, 7 W & 13 W	—	13 W
LED lighting option	Yes	Yes	Yes	No	Yes	Yes	No	No	Yes
Photocell	Yes	Yes	Yes	Yes	Yes	Yes	No	No	Yes
Lockable doors	Yes	Yes	Yes	Yes	Yes	—	—	—	Yes
Hose hangers	Yes	Yes	No	No	Yes	No	No	No	No
Electric meters	Yes—up to 4	Yes—up to 4	Yes—up to 2	Yes—up to 2	Yes—up to 4	No	No	No	Yes—up to 6
Remote meter reading	Yes	Yes	Yes	Yes	Yes	No	No	No	Yes
Water	Two 3/4"	Two 3/4"	Two 1/2"	Two 3/4"	Two 3/4"	None	None	None	One 3/4" or more
Water meters	Yes	Yes	No	Yes	Yes	No	No	No	Yes
Telephone	Yes	Yes	Yes	Yes	Yes	No	No	No	Yes
Cable TV	Yes	Yes	Yes	Yes	Yes	No	No	No	Yes
Internet	Yes	Yes	Yes	Yes	Yes	No	No	No	Yes
Fire extinguisher	No	No	No	No	No	Yes—up to 20 lbs	No	No	No
Life ring	No	No	No	No	No	Yes—24"	No	No	No
Alarm and strobe light	No	No	No	No	No	Yes	No	No	No
20 A 110 V GFI	Yes	Yes	Yes	Yes	Yes	No	No	No	Yes
30 A 125 V twist—lock	Yes	Yes	Yes	Yes	Yes	No	No	No	Yes
50 A 125/250 V twist—lock	Yes	Yes	Yes	Yes	Yes	No	No	No	Yes
100 A 120/240 V pin and sleeve	Yes	Yes	No	No	Yes	No	No	No	Yes
100 A 120/208 V pin and sleeve	Yes	Yes	No	No	Yes	No	No	No	Yes
100 A 277/480 V pin and sleeve	Yes	Yes	No	No	Yes	No	No	No	Yes
100 A 480 V pin and sleeve	Yes	Yes	No	No	Yes	No	No	No	Yes
200 A 480 V pin and sleeve	No	No	No	No	Yes	No	No	No	Yes
Hardwire compatible	No	No	No	No	No	No	No	No	Yes
TVSS compatible	Yes	Yes	No	No	Yes	No	No	No	Yes
Card swipe compatible	Yes	Yes	No	Yes	Yes	No	No	No	Yes
Security camera compatible	No	No	No	No	No	No	No	Yes	No
Busbar rating	Up to 500 A	Up to 500 A	Up to 140 A	Up to 140 A	Up to 500 A	—	—	—	Up to 800 A
Maximum wire size—single feed	350 kcmil	350 kcmil	#2/0	#2/0	350 kcmil	—	—	—	(3) 500 kcmil
Maximum wire size—loop feed	#4/0	#4/0	#1	#1	350 kcmil	—	—	—	(3) 500 kcmil
Height	44"	40"	30"	36"	48"	43.5"	24" to 72"	72" to 96"	50"
Width	13.75"	9.875"	7.5"	10.5"	14"	9.875"	7"	9"	50"
Depth	13.75"	9.875"	7.5"	14.5"	14"	9.875"	7"	9"	36"
Warranty									
Housing	Limited lifetime	Limited lifetime	Limited lifetime	Limited lifetime	Limited lifetime	Limited lifetime	Limited lifetime	Limited lifetime	Limited lifetime
Receptacles and breakers	2 years	2 years	2 years	2 years	2 years	—	—	—	2 years
Lighting assembly	1 year	1 year	1 year	1 year	1 year	1 year	1 year	—	1 year

Receptacles

Side One		Side Two	
None	None	None	None
30 A	None	None	None
30 A	30 A	None	None
30 A	None	30 A	None
30 A	30 A	30 A	30 A
30 A	50 A	None	None
30 A	None	50 A	None
30 A	50 A	30 A	50 A
50 A	None	None	None
50 A	50 A	None	None
50 A	None	50 A	None
50 A	50 A	50 A	50 A
100 A 120/240 V	None	None	None
100 A 120/240 V	None	50–50 A	None
100 A 120/240 V	None	100 A 120/240 V	None
100 A 120/240 V	50–50 A	100 A 120/240 V	50–50 A
100 A 120/208 V	None	None	None
100 A 120/208 V	None	100 A 120/240 V	None
100 A 120/240 V	100 A 120/240 V	100 A 120/240 V	100 A 120/240 V
100 A 120/208 V	100 A 120/208 V	100 A 120/208 V	100 A 120/208 V
100 A 120/240 V	100 A 120/240 V	100 A 120/208 V	100 A 120/208 V

Receptacle Configuration Availability

Lighthouse	Lighthouse–SS	Admiral–SS	Hatteras Light	Newport Harbor Mate
Receptacle Available with GFI Receptacles				
Yes	Yes	Yes	Yes	Yes
Yes	Yes	Yes	Yes	Yes
Yes	Yes	Yes	No	Yes
Yes	Yes	Yes	Yes	No
Yes	Yes	Yes	No	No
Yes	Yes	Yes	No	Yes
Yes	Yes	Yes	Yes ^①	No
Yes	Yes	Yes	No	No
Yes	Yes	Yes	Yes	Yes
Yes	Yes	Yes	No	Yes
Yes	Yes	Yes	No	No
Yes	Yes	Yes	No	No
Yes	Yes	Yes	No	No
Yes	Yes	Yes	No	No
No	No	Yes	No	No
Yes	Yes	Yes	No	No
Yes	Yes	Yes	No	No
No	No	Yes	No	No
No	No	Yes	No	No
No	No	Yes	No	No

Note

① Configuration available with no additional GFI receptacles.

Lighthouse



5

Lighthouse

Product Description

One of our most popular units, the all-purpose Lighthouse® pedestal has a wide range of features. With units in service around the world, this stylish power pedestal is recognized for its practicality and exceptional durability.

Engineered to withstand the most severe weather conditions, Lighthouse power pedestals can be found in marinas from Alaska to the tropics.

Note: Custom paint color.

Note: Wireless remote reading of electronic kilowatt meters.

Note: Clear lens.

Features, Benefits and Functions

- Photocell controlled 13 watt fluorescent light (clear lens or amber lens for bug reduction)
- Lockable weatherproof doors that protect breakers and receptacles while in use (a requirement of NFPA 303 and NEC Article 555)
- Hose and cable brackets
- Heavy resin housing with a two-part polyurethane coating for a UV-resistant, long-lasting finish
- Copper busbar with ratings from 250 to 500 A
- New “hingeless” base providing easy access for both installation and maintenance
- Backlit faceplate for easy receptacle plug-in at night

Contents

<i>Description</i>	<i>Page</i>
Power Pedestals	V1-T5-51
Lighthouse	
Available Options	V1-T5-55
Catalog Number Selection	V1-T5-56
Accessories	V1-T5-57
Dimensions	V1-T5-57
Lighthouse—SS	V1-T5-58
Admiral—SS	V1-T5-62
Newport Harbor Mate	V1-T5-65
Hatteras Light	V1-T5-69
Firehouse	V1-T5-73
Smart Start	V1-T5-79
Mariner	V1-T5-80
Digital Electronic Kilowatthour Meters	V1-T5-81
Distribution Equipment—Ground Fault Monitor	V1-T5-82
Distribution Equipment—Mega Yacht Powerpoint	V1-T5-83
Distribution Equipment—Substations	V1-T5-86
Distribution Equipment—Panels	V1-T5-89
Distribution Equipment—Transformers	V1-T5-90

Lighthouse



360° controlled 13 watt fluorescent light with amber lens for bug reduction

Digital electronic metering for each side

Lockable weatherproof doors that protect breakers and receptacles

Receptacle configuration available
30 A, 50 A, 30 A / 30 A, 30 A / 50 A, 50 A / 50 A, 100 A, Empty
Note: Custom configurations also available

Hose and cable brackets

1/4-inch Resin housing with a two-part polyurethane coating for a UV resistant, long-lasting finish

20 A / 125 V GFI receptacle

Phone and cable TV connections

High-speed Internet connections (RJ45) for each side

Available Options

- Digital electronic metering (one, two or three element meters available)
- Built-in meter socket
- 20 A / 125 V GFI receptacle (max. of two GFI receptacles per pedestal)

Note: 20 A GFI receptacles are not to be used for shore power.

- High-speed Internet connections
- Wireless remote metering for electric and water
- Transient voltage surge suppressor (TVSS) to protect from voltage surges, spikes or lightning on the AC power line (extends warranty on internal parts to three years)
- Stainless steel door hinge on receptacle main doors
- Single or dual steel 1/4-turn ball valves with 3/4-inches
- Hose bibs and stainless steel handles
- Single or dual phone and/or cable TV connections
- Base cap
- Base extension
- LED lighting



Copper Busbar with Ratings from 250 to 500 A



Cable and Internet Connections



New Hingeless Base



Optional Meter Socket

Catalog Number Selection

5

L D U 4 7 0 0 0 0 0 0 1 2 K M

Type

L = Lighthouse
S = LHSS

Sides and Receptacles

	R1S1	R2S1	R3S1	R4S1	R1S2	R2S2	R3S2	R4S2
0	0	0	0	0	0	0	0	0
1	1	1	1	1	1	1	1	1
2	2	2	2	2	2	2	2	2
3	3	3	3	3	3	3	3	3
4	4	4	4	4	4	4	4	4
5	5	5	5	5	5	5	5	5
6	6	6	6	6	6	6	6	6
7	7	7	7	7	7	7	7	7
8	8	8	8	8	8	8	8	8

0 = None
1 = 20 A GFI duplex
2 = 30 A, 125 V
3 = 50 A, 125 V
4 = 50 A, 125/250 V
5 = 100 A, 208 V
6 = 100 A, 250 V
7 = 100 A, 277/480 V
8 = 100 A, 480 V

Water Option ①

0 = 0
1 = 1
2 = 2
3 = Single water meter
4 = Dual water meter
5 = Single meter, 2 V
6 = 1 frost free
7 = 2 frost free

Extra Unmetered GFI Receptacles ②

0 = None
1 = 1
2 = 2

Lighting and Lens Color

A = 7 W light	Amber
B = Dual 7 W light	Amber
C = 9 W light	Amber
D = 13 W light	Amber
E = Dual 13 W light	Amber
F = No lighting	Amber
G = 7 W light	Clear
H = Dual 7 W light	Clear
I = 9 W light	Clear
J = 13 W light	Clear
K = Dual 13 W light	Clear
L = No lighting	Clear
M = 7 W light	Special
N = Dual 7 W light	Special
O = 9 W light	Special
P = 13 W light	Special
Q = Dual 13 W light	Special
R = No lighting	Special
S = 350 MA LED	Amber
T = 700 MA LED	Amber
U = 350 MA LED	Clear
V = 700 MA LED	Clear
W = 350 MA LED	Special
Y = 700 MA LED	Special

Metering Type

U = Unmetered
D = Digital electronic meters (side one)
T = Digital electronic meters (side two)
B = Digital electronic meters (both sides)
R = Receptacles metered individually
M = One meter socket (100 A)
N = Two meter socket (100 A each)
V = 200 A meter socket

Phone Cable TV and Internet Options

Phone Jack	Cable TV Jack	Internet Option
A = 1	0	0
B = 1	0	1
C = 1	0	2
D = 1	1	0
E = 1	1	1
F = 1	1	2
G = 1	2	0
H = 1	2	1
I = 1	2	2
J = 2	0	0
K = 2	0	1
L = 2	0	2
M = 2	1	0
N = 2	1	1
O = 2	1	2
P = 2	2	0
Q = 2	2	1
R = 2	2	2
S = 0	2	2
T = 0	0	1
U = 0	0	2
V = 0	1	0
W = 0	1	1
X = 0	1	2
Y = 0	2	0
Z = 0	2	1
o = 0	0	0

Bus

S = Single-phase 3/8-inch copper busbar
F = Three-phase 3/8-inch copper busbar
C = Single-phase 3/8-inch Canadian busbar
T = Three-phase 3/8-inch Canadian busbar
M = Single-phase 300 kcmil mechanical lug bus
Z = Three-phase 300 kcmil mechanical lug bus
L = Single-phase 350 kcmil mechanical lug bus
P = Three-phase 350 kcmil mechanical lug bus
N = Single-phase 1/4-inch copper busbar
Q = Single-phase 1/4-inch split mechanical busbar

Receptacle: R1S1 = Receptacle 1, Side 1
R2S1 = Receptacle 2, Side 1
R1S2 = Receptacle 1, Side 2
R2S2 = Receptacle 2, Side 2

Notes

- ① Number represents the quantity of 1/4-turn ball valves with 3/4-inch hose bibs.
- ② Quantity of 20 A GFI duplex receptacles.

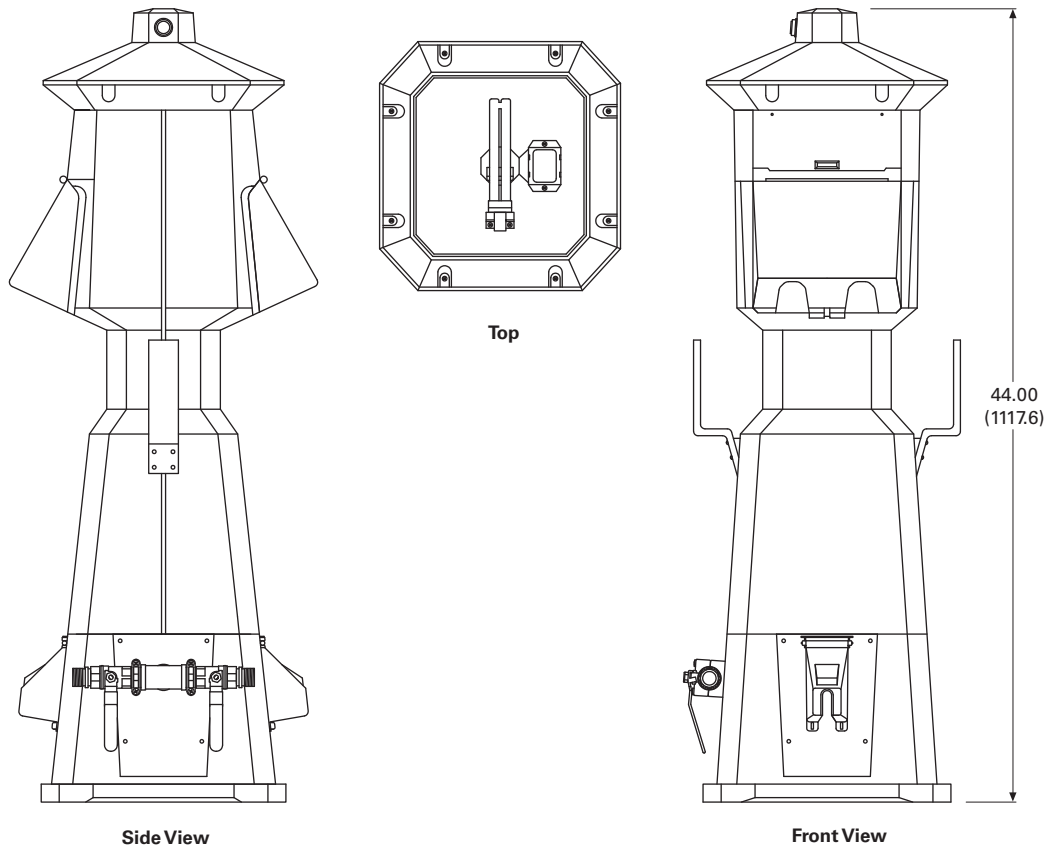
Accessories

See **Page V1-T5-75**.

Dimensions

Approximate Dimensions in Inches (mm)

Lighthouse

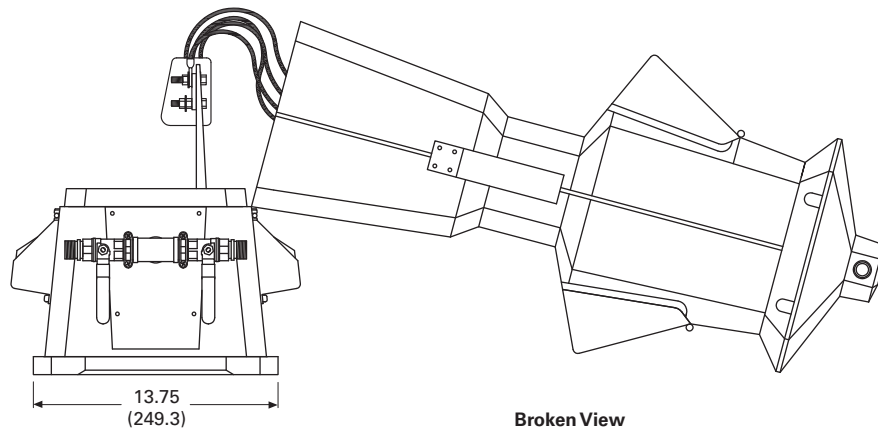


Side View

Top

Front View

44.00
(1117.6)



Broken View

13.75
(249.3)

Lighthouse-SS



5

Lighthouse-SS

Product Description

The Lighthouse-SS offers the same standard features and available options as the standard Lighthouse. But, like all of the stainless steel products manufactured here, the Lighthouse-SS is made with high-quality 316L stainless steel for superior quality and performance.

Note: 20/125 A GFI receptacle.

Note: Wireless remote reading of electronic kilowatt meters.

Note: Clear lens.

Note: Meter socket for each side powered (to accept glass style meter).

Note: Receptacle configurations available:

- 30 A
- 30 A / 30 A
- 30 A / 50 A
- 50 A / 50 A
- 100 A (single-phase) 120/240 V
- 100 A (three-phase) 120/208 V
- 200 A (three-phase) 480 V

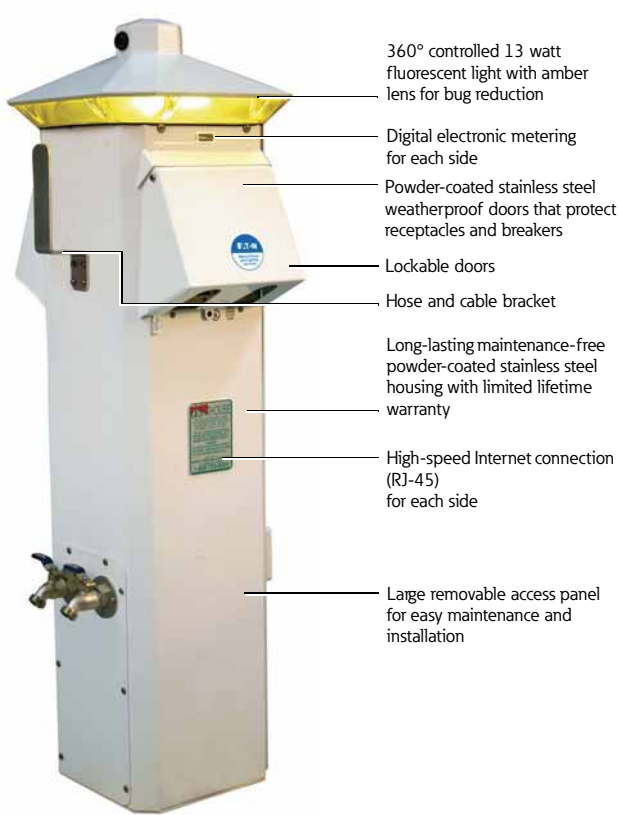
Features, Benefits and Functions

- Photocell controlled 13 watt fluorescent light (clear lens or amber lens for bug reduction)
- Available with lockable weatherproof doors
- Hose and cable brackets
- Long-lasting maintenance-free 316L stainless steel housing with limited lifetime warranty
- Copper busbar with ratings from 250 to 500 A
- Large removable access panel for easy maintenance and installation
- Backlit faceplate for easy receptacle plug-in at night

Contents

<i>Description</i>	<i>Page</i>
Power Pedestals	V1-T5-51
Lighthouse	V1-T5-54
Lighthouse-SS	
Available Options	V1-T5-59
Catalog Number Selection	V1-T5-60
Accessories	V1-T5-61
Dimensions	V1-T5-61
Admiral-SS	V1-T5-62
Newport Harbor Mate	V1-T5-65
Hatteras Light	V1-T5-69
Firehouse	V1-T5-73
Smart Start	V1-T5-79
Mariner	V1-T5-80
Digital Electronic Kilowatt-hour Meters	V1-T5-81
Distribution Equipment—Ground Fault Monitor	V1-T5-82
Distribution Equipment—Mega Yacht Powerpoint	V1-T5-83
Distribution Equipment—Substations	V1-T5-86
Distribution Equipment—Panels	V1-T5-89
Distribution Equipment—Transformers	V1-T5-90

Lighthouse-SS



Available Options

- Digital electronic metering (one, two or three element meters available)
- 20 A / 125 V GFI receptacle (max. of two GFI receptacles per pedestal)

Note: 20 A GFI receptacles are not to be used for shore power.

- High-speed Internet connection
- Wireless remote metering available for water and electricity
- Transient voltage surge suppressor (TVSS) to protect from voltage surges, spikes or lightning on the AC power line (extends warranty on internal parts to three years)
- Single or dual phone and/or cable TV connections
- Single or dual 3/4-inch hose bibs with stainless steel
- Handles LED lighting



Phone and Cable TV Connections



New Door



Copper Busbar with Ratings from 250 to 500 A



Backlit Faceplate to Aid in Hooking Up at Night

Catalog Number Selection

5

L D U 4 7 0 0 0 0 0 0 1 2 K M

Type	
L	= Lighthouse
S	= LHSS

Sides and Receptacles							
R1S1	R2S1	R3S1	R4S1	R1S2	R2S2	R3S2	R4S2
0	0	0	0	0	0	0	0
1	1	1	1	1	1	1	1
2	2	2	2	2	2	2	2
3	3	3	3	3	3	3	3
4	4	4	4	4	4	4	4
5	5	5	5	5	5	5	5
6	6	6	6	6	6	6	6
7	7	7	7	7	7	7	7
8	8	8	8	8	8	8	8

Water Option ^①	
0	= 0
1	= 1
2	= 2
3	= Single water meter
4	= Dual water meter
5	= Single meter, 2 V
6	= 1 frost free
7	= 2 frost free

Extra Unmetered GFI Receptacles ^②	
0	= None
1	= 1
2	= 2

Lighting and Lens Color		
A	= 7 W light	Amber
B	= Dual 7 W light	Amber
C	= 9 W light	Amber
D	= 13 W light	Amber
E	= Dual 13 W light	Amber
F	= No lighting	Amber
G	= 7 W light	Clear
H	= Dual 7 W light	Clear
I	= 9 W light	Clear
J	= 13 W light	Clear
K	= Dual 13 W light	Clear
L	= No lighting	Clear
M	= 7 W light	Special
N	= Dual 7 W light	Special
O	= 9 W light	Special
P	= 13 W light	Special
Q	= Dual 13 W light	Special
R	= No lighting	Special
S	= 350 MA LED	Amber
T	= 700 MA LED	Amber
U	= 350 MA LED	Clear
V	= 700 MA LED	Clear
W	= 350 MA LED	Special
Y	= 700 MA LED	Special

Metering Type	
U	= Unmetered
D	= Digital electronic meters (side one)
T	= Digital electronic meters (side two)
B	= Digital electronic meters (both sides)
R	= Receptacles metered individually
M	= One meter socket (100 A)
N	= Two meter socket (100 A each)
V	= 200 A meter socket

Phone Cable TV and Internet Options		
Phone Jack	Cable TV Jack	Internet Option
A	= 1	0
B	= 1	0
C	= 1	0
D	= 1	1
E	= 1	1
F	= 1	2
G	= 1	2
H	= 1	2
I	= 1	2
J	= 2	0
K	= 2	0
L	= 2	0
M	= 2	1
N	= 2	1
O	= 2	1
P	= 2	2
Q	= 2	2
R	= 2	2
S	= 0	2
T	= 0	0
U	= 0	0
V	= 0	1
W	= 0	1
X	= 0	1
Y	= 0	2
Z	= 0	2
0	= 0	0

Bus	
S	= Single-phase 3/8-inch copper busbar
F	= Three-phase 3/8-inch copper busbar
C	= Single-phase 3/8-inch Canadian busbar
T	= Three-phase 3/8-inch Canadian busbar
M	= Single-phase 300 kcmil mechanical lug bus
Z	= Three-phase 300 kcmil mechanical lug bus
L	= Single-phase 350 kcmil mechanical lug bus
P	= Three-phase 350 kcmil mechanical lug bus
N	= Single-phase 1/4-inch copper busbar
Q	= Single-phase 1/4-inch split mechanical busbar

Receptacle: R1S1 = Receptacle 1, Side 1
 R2S1 = Receptacle 2, Side 1
 R1S2 = Receptacle 1, Side 2
 R2S2 = Receptacle 2, Side 2

Notes

- ① Number represents the quantity of 1/4-turn ball valves with 3/4-inch hose bibs.
- ② Quantity of 20 A GFI duplex receptacles.

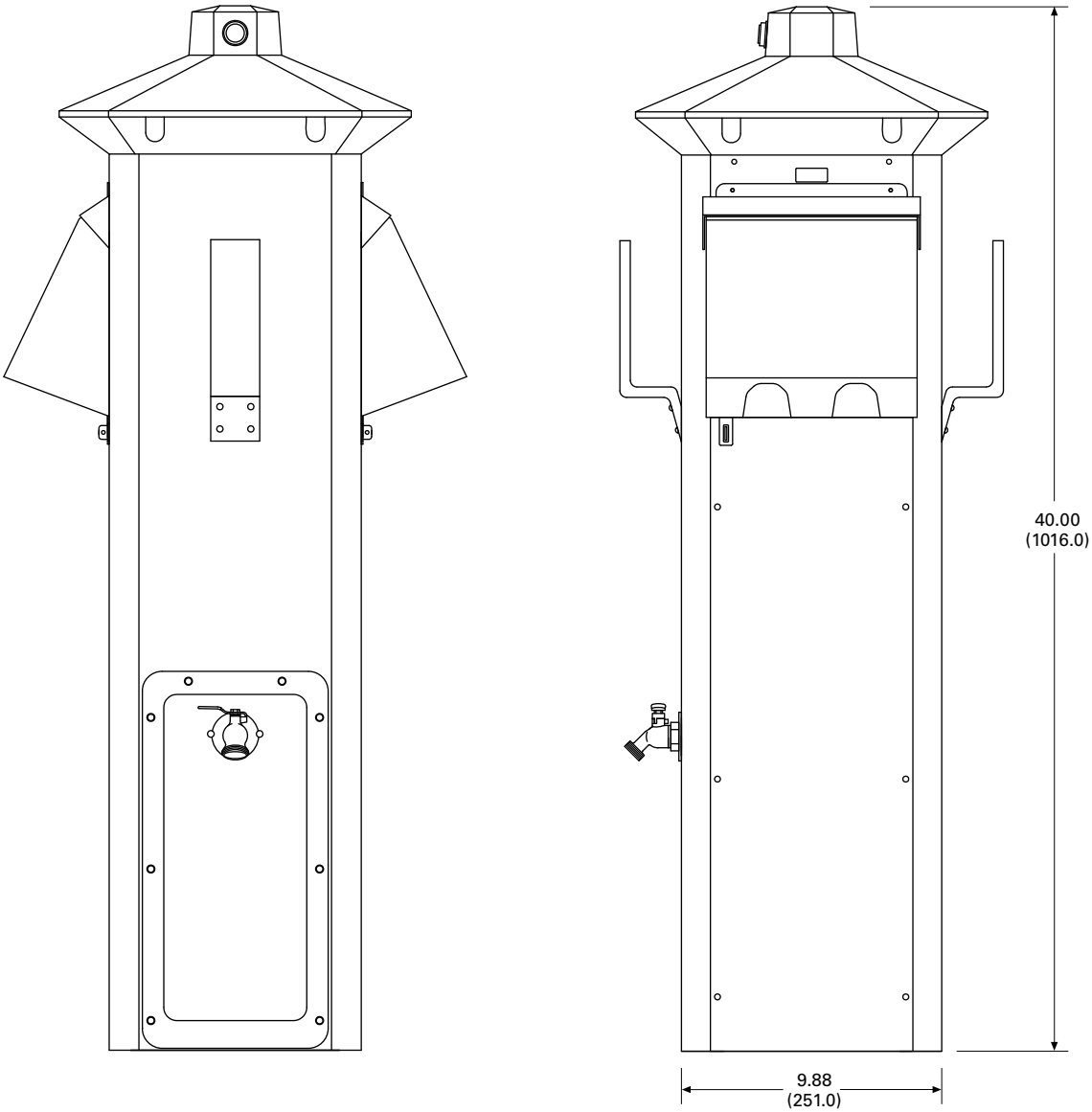
Accessories

See **Page V1-T5-75**.

Dimensions

Approximate Dimensions in Inches (mm)

Lighthouse-SS



Admiral-SS



5

Admiral-SS

Product Description

Truly the flagship of our unitized pedestal line, the Admiral-SS possesses amperage capabilities up to 500 A and voltages of 480/277 three-phase, 120/240 single-phase and combinations of these receptacles all in one unit to serve nearly any size Mega Yacht.

Features

- Heavy 316L stainless steel housing that is powder coated with a polyester resin
- Photocell controlled 13 watt fluorescent light with clear lens that provides 360 degrees of lighting

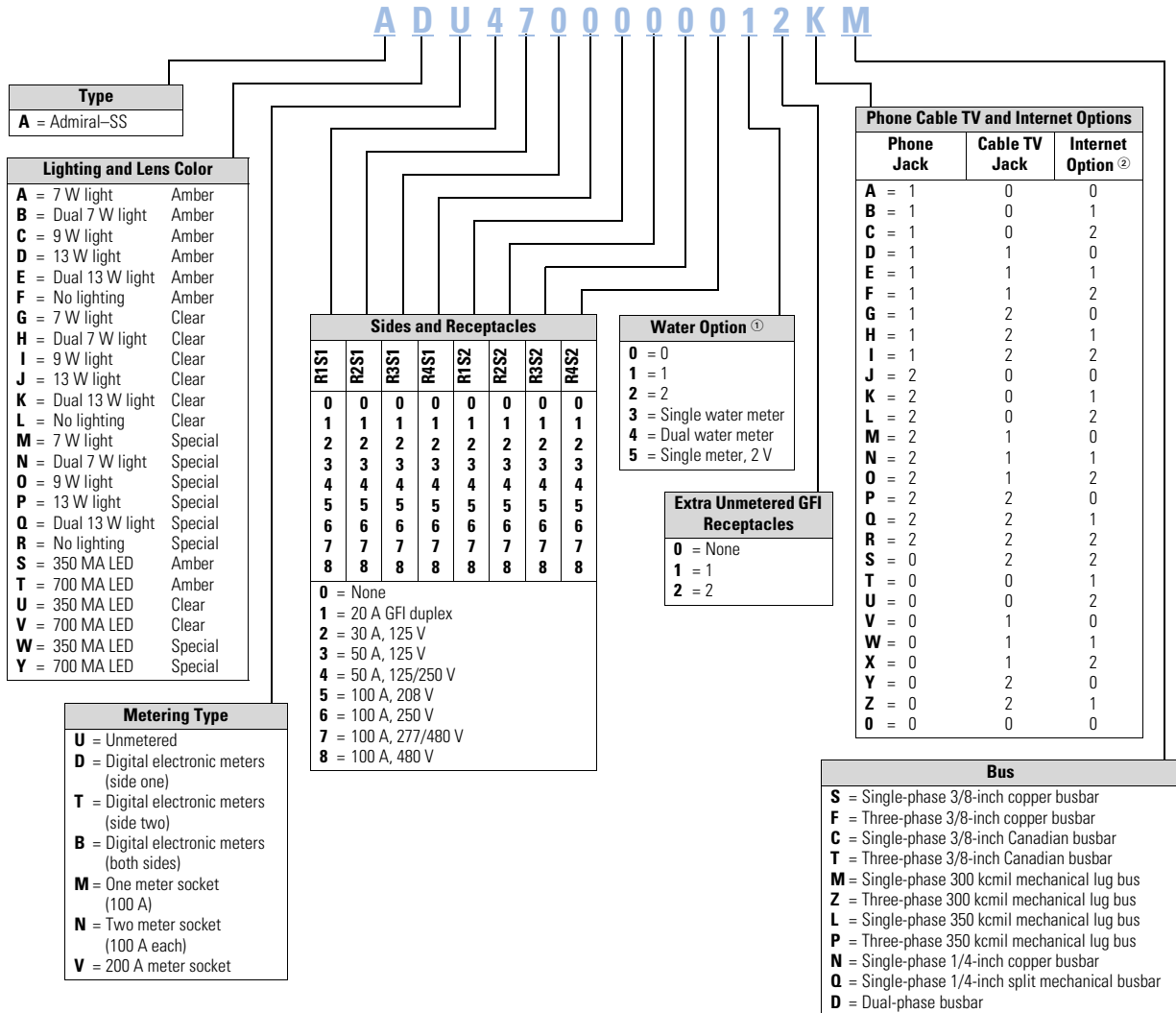
Contents

<i>Description</i>	<i>Page</i>
Power Pedestals	V1-T5-51
Lighthouse	V1-T5-54
Lighthouse-SS	V1-T5-58
Admiral-SS	
Catalog Number Selection	V1-T5-63
Accessories	V1-T5-64
Dimensions	V1-T5-64
Newport Harbor Mate	V1-T5-65
Hatteras Light	V1-T5-69
Firehouse	V1-T5-73
Smart Start	V1-T5-79
Mariner	V1-T5-80
Digital Electronic Kilowatt-hour Meters	V1-T5-81
Distribution Equipment—Ground Fault Monitor	V1-T5-82
Distribution Equipment—Mega Yacht Powerpoint	V1-T5-83
Distribution Equipment—Substations	V1-T5-86
Distribution Equipment—Panels	V1-T5-89
Distribution Equipment—Transformers	V1-T5-90

Available Options

- Dual phone and/or cable TV connections
 - Four 100 A receptacles of any two voltage combinations such as 277/480 three-phase, 120/208 three-phase or 120/240 single-phase
 - 200 A / 480 V receptacles
 - when the 100 A 120/240 V receptacles are used, two 50 A 120/240 V receptacles can also be provided for a total of 500 A
 - 20 A / 125 V GFI receptacle (max. of two GFI receptacles per pedestal)
- Note:** 20 A GFI receptacles are not to be used for shore power.
- Single or dual Cat5 high-speed Internet connections
 - Single or dual water 1/4-turn ball valves with 3/4-inch hose bibs and stainless steel handles
 - Digital metering available
 - Wireless remote metering available for water and electricity
 - LED lighting

Catalog Number Selection



Receptacles: R1S1 = Receptacle 1, Side 1
 R2S1 = Receptacle 2, Side 1
 R3S1 = Receptacle 3, Side 1
 R4S1 = Receptacle 3, Side 1
 R1S2 = Receptacle 1, Side 2
 R2S2 = Receptacle 2, Side 2
 R3S2 = Receptacle 3, Side 2
 R4S2 = Receptacle 3, Side 2

Notes

① Number represents the quantity of 1/4-turn ball valves with 3/4-inch hose bibs.

② Number represents the quantity of RJ-45 high-speed Internet jacks.

Internet option also available. Contact factory for details.

5.5

Power Pedestals

Marina Power and Lighting Equipment

Accessories

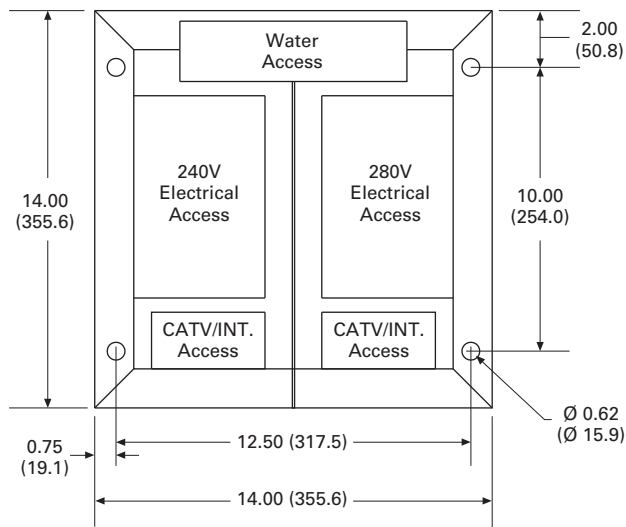
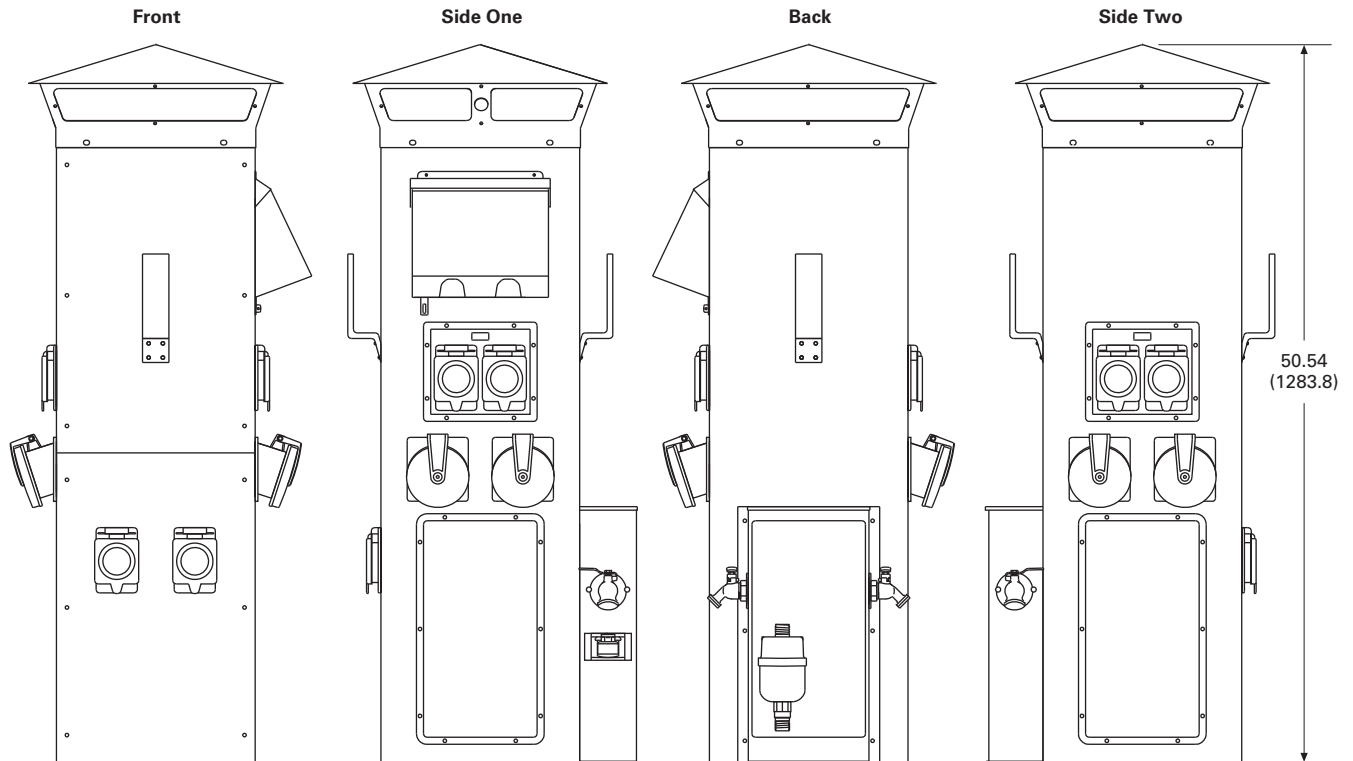
See **Page V1-T5-75**.

Dimensions

Approximate Dimensions in Inches (mm)

Admiral-SS

5



Base Footprint

Newport Harbor Mate



Contents

<i>Description</i>	<i>Page</i>
Power Pedestals	V1-T5-51
Lighthouse	V1-T5-54
Lighthouse-SS	V1-T5-58
Admiral-SS	V1-T5-62
Newport Harbor Mate	
Available Options	V1-T5-66
Catalog Number Selection	V1-T5-67
Accessories	V1-T5-68
Dimensions	V1-T5-68
Hatteras Light	V1-T5-69
Firehouse	V1-T5-73
Smart Start	V1-T5-79
Mariner	V1-T5-80
Digital Electronic Kilowatthour Meters	V1-T5-81
Distribution Equipment—Ground Fault Monitor	V1-T5-82
Distribution Equipment—Mega Yacht Powerpoint	V1-T5-83
Distribution Equipment—Substations.	V1-T5-86
Distribution Equipment—Panels.	V1-T5-89
Distribution Equipment—Transformers.	V1-T5-90

Newport Harbor Mate

Product Description

Five years of development and 30 prototype models have yielded this unit the most innovative mini-power center available. Host to a variety of electrical services, contained in a compact yet strong housing, the Newport Harbor Mate is packed with features.

Features, Benefits and Functions

- Tough and durable resin housing with UV inhibitor for lasting finish
- Photocell controlled 7 and 9 watt fluorescent light (clear lens or amber lens for bug reduction)
- Designed to mount on a dock box, piling or stainless steel stand
- Copper busbar with a maximum rating of 140 A

Newport Harbor Mate (Shown with Optional Stand)

Tough and durable resin housing with UV inhibitor for lasting finish

Available with single, dual or combo of 30 or 50 A receptacles

20 A / 125 V GFI receptacle

Phone, cable TV, high-speed Internet connections

Digital electronic meter

Lockable weatherproof door that protects receptacles and breakers

Photocell controlled 7 watt fluorescent light with amber lens for bug reduction

Single or dual 1/2-turn brass ball valve with 3/4-inch hose bibs

Stainless steel stand

Designed to mount on a dock box, piling, wall or optional stand (shown in photo)



Available Options

- Available with single, dual or combination of 30 A or 50 A receptacles
- 20 A / 125 V GFI receptacle (max. of two GFI receptacles per pedestal)

Note: 20 A GFI receptacles are not to be used for shore power.

- Single or dual phone, cable TV, high-speed Internet connections
- Electronic metering (one or two element meters available)
- 316L stainless steel stand
- LED lighting

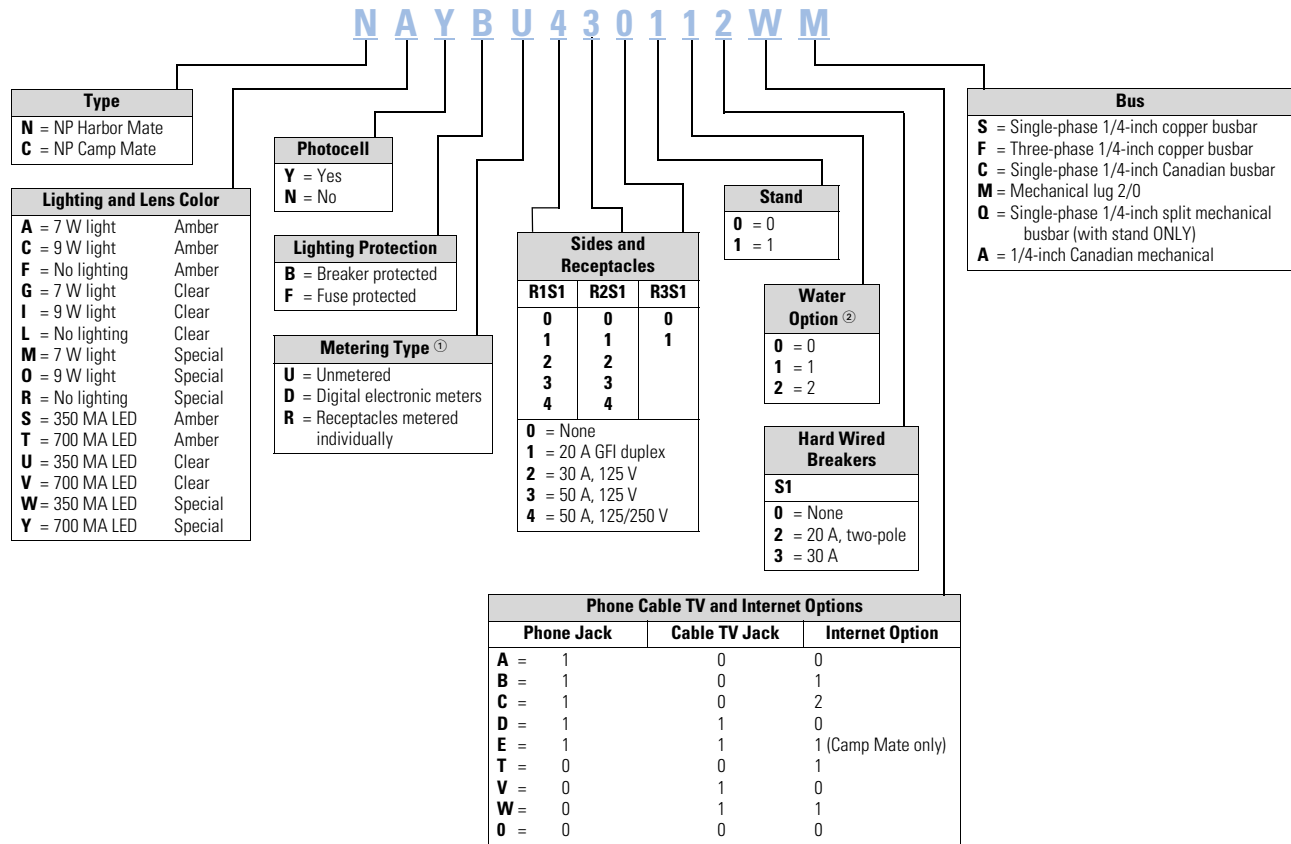


Mounting Option



Backlit Faceplate

Catalog Number Selection



Receptacles: R1 = Receptacle 1
R2 = Receptacle 2

Notes

- ① 20 A GFIs not metered.
- ② Number represents the quantity of 1/4-turn ball valves with 3/4-inch hose bibs (with stand only).

5.5

Power Pedestals

Marina Power and Lighting Equipment

Accessories

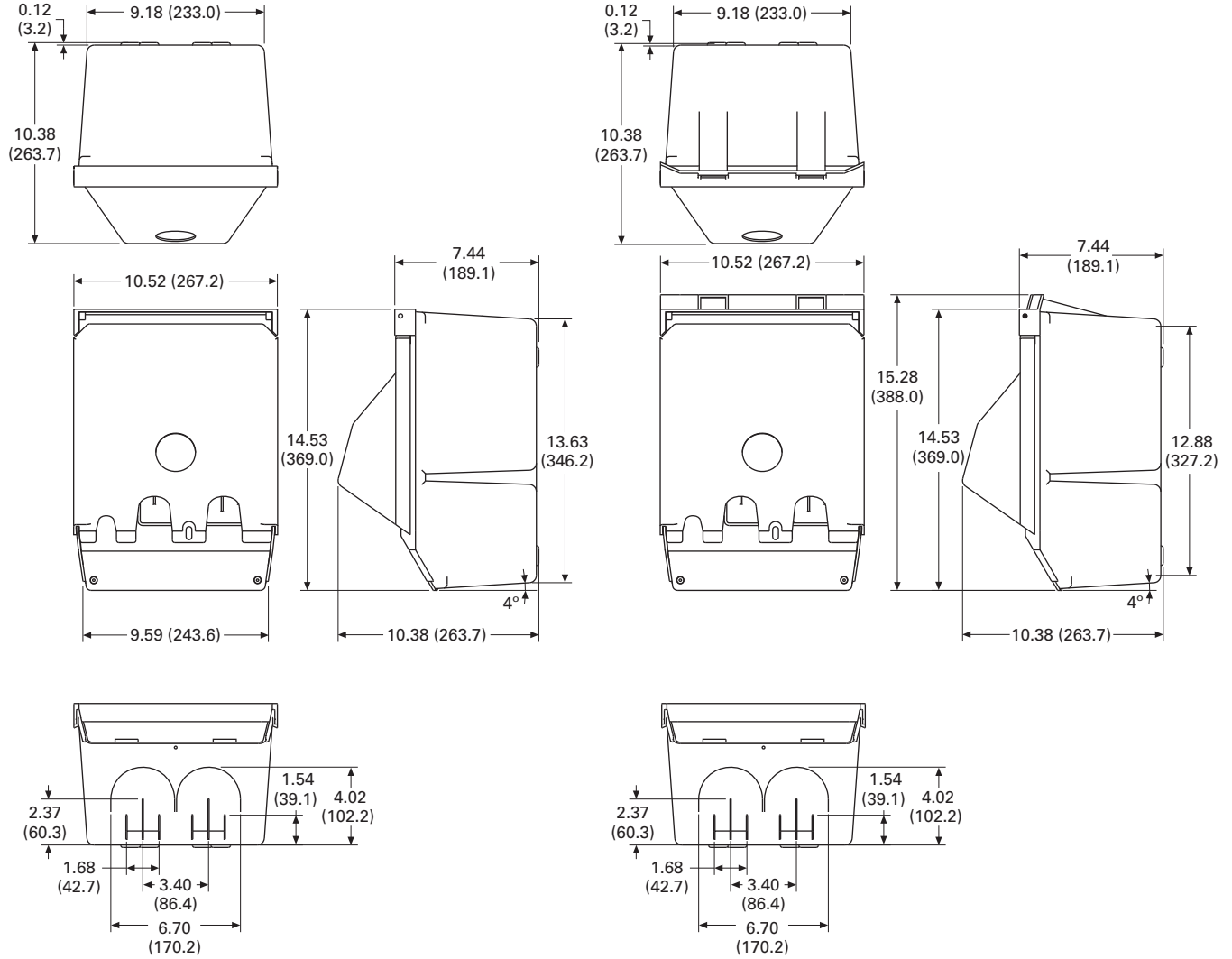
See **Page V1-T5-75**.

Dimensions

Approximate Dimensions in Inches (mm)

Newport Harbor Mate

5



Newport Redesign

Newport Redesign With Meters

Hatteras Light



Contents

<i>Description</i>	<i>Page</i>
Power Pedestals	V1-T5-51
Lighthouse	V1-T5-54
Lighthouse-SS	V1-T5-58
Admiral-SS	V1-T5-62
Newport Harbor Mate.	V1-T5-65
Hatteras Light	
Available Options	V1-T5-70
Catalog Number Selection	V1-T5-71
Accessories	V1-T5-72
Dimensions	V1-T5-72
Firehouse	V1-T5-73
Smart Start	V1-T5-79
Mariner	V1-T5-80
Digital Electronic Kilowatt-hour Meters	V1-T5-81
Distribution Equipment—Ground Fault Monitor	V1-T5-82
Distribution Equipment—Mega Yacht Powerpoint	V1-T5-83
Distribution Equipment—Substations.	V1-T5-86
Distribution Equipment—Panels.	V1-T5-89
Distribution Equipment—Transformers.	V1-T5-90

Hatteras Light

Product Description

The Hatteras® Light is an elegant and low cost alternative to the Lighthouse. It uses the same 360 degree light assembly as the Lighthouse, yet is only 30 inches tall. Thousands of these attractive pedestals are found not only in marinas, but also around pools, deck areas, boardwalks and landscape areas. The housing will never rust or corrode and comes with a limited lifetime warranty. This unit is popular for smaller slips at marinas with the Lighthouse and for private docks.

Note: Wireless remote reading of electronic kilowatt meters.

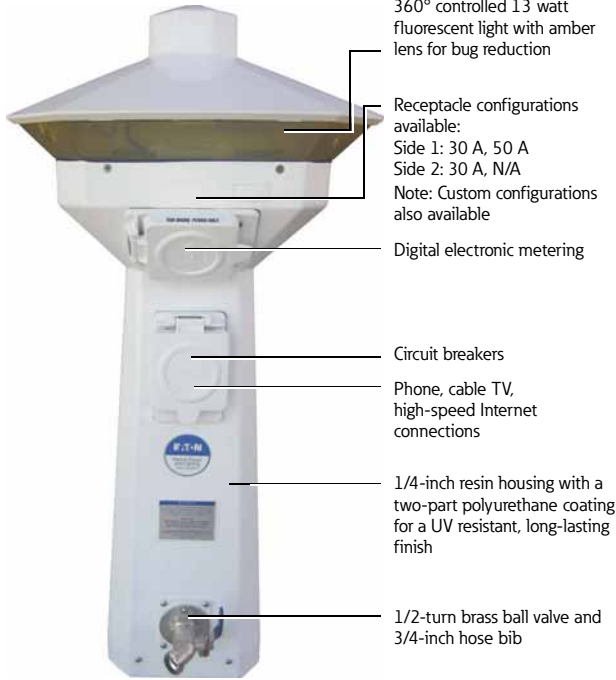
Note: Clear lens.

Note: Custom paint color.

Features, Benefits and Functions

- Photocell controlled 13 watt fluorescent light (clear lens or amber lens for bug reduction)
- Circuit breakers
- Heavy resin housing with a two-part polyurethane coating for a UV resistant, long-lasting finish
- Copper busbar with a maximum rating of 140 A

Hatteras Light



360° controlled 13 watt fluorescent light with amber lens for bug reduction

Receptacle configurations available:
Side 1: 30 A, 50 A
Side 2: 30 A, N/A
Note: Custom configurations also available

Digital electronic metering

Circuit breakers

Phone, cable TV, high-speed Internet connections

1/4-inch resin housing with a two-part polyurethane coating for a UV resistant, long-lasting finish

1/2-turn brass ball valve and 3/4-inch hose bib

Available Options

- 20 A / 125 V GFI receptacle (max. of two GFI receptacles per pedestal)

Note: 20 A GFI receptacles are not to be used for shore power.

- Digital electronic metering (one or two element meter available)
- Single or dual phone, cable TV, high-speed Internet connections
- Single or dual 1/2-inch or 3/4-inch silcock with stainless steel handles
- LED lighting



Copper Busbar with Ratings up to 140 A

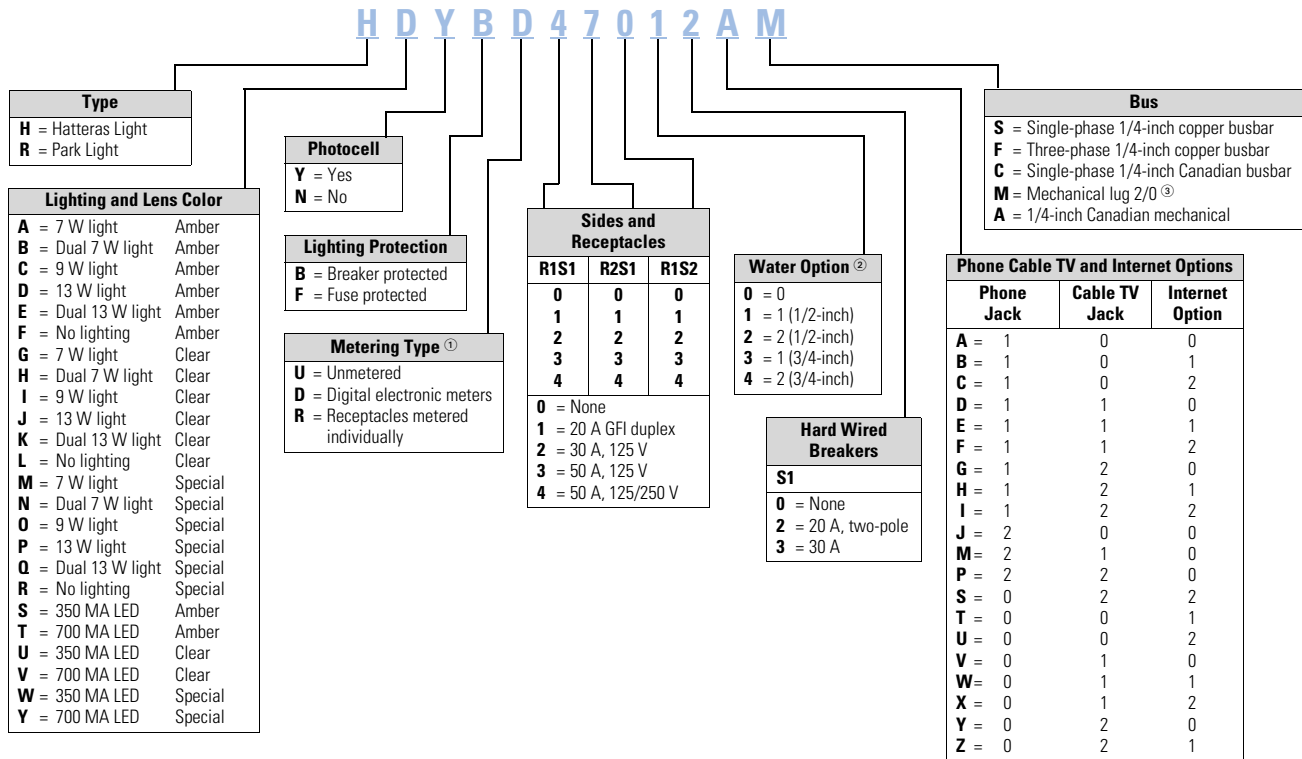


20 A / 125 V GFI Receptacle



Faceplate

Catalog Number Selection



Receptacles: R1 = Receptacle 1
R2 = Receptacle 2

Notes

- ① 20 A GFIs not metered.
- ② Number represents the quantity of 1/4-turn ball valves with 3/4-inch hose bibs.
- ③ Wire size #2/0 kcmil or less.

Accessories

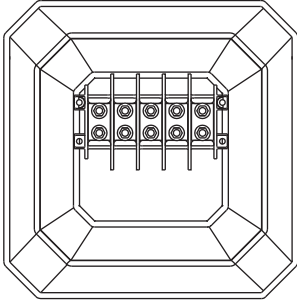
See **Page V1-T5-75**.

Dimensions

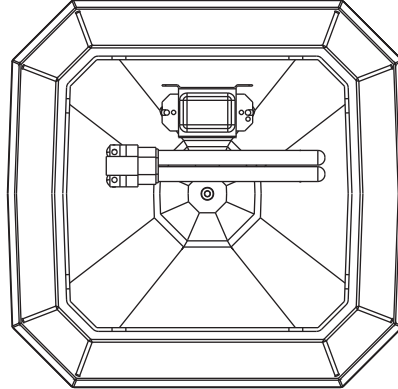
Approximate Dimensions in Inches (mm)

Hatteras

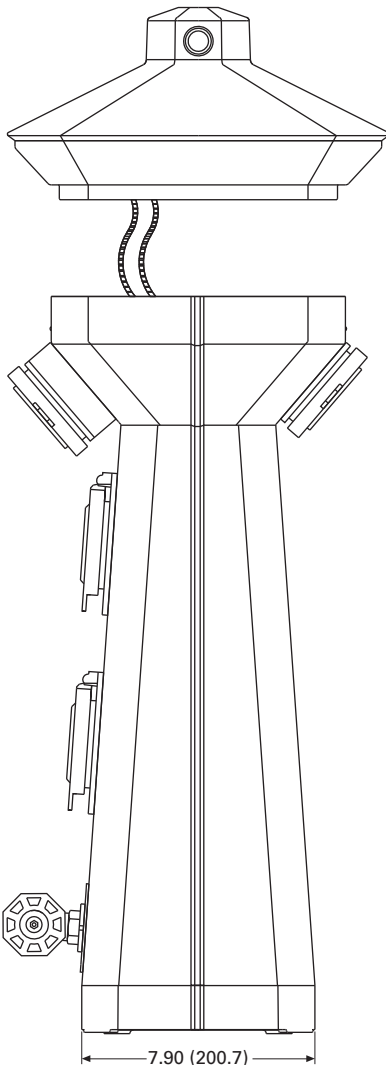
5



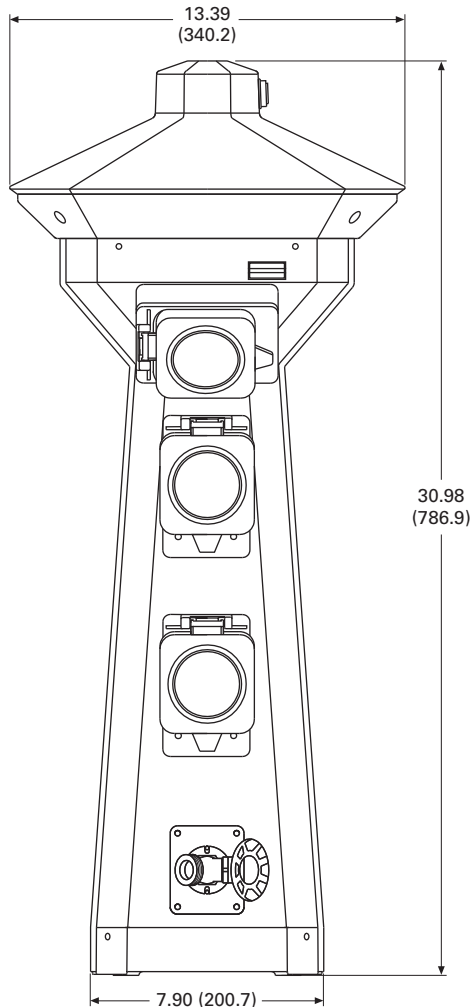
Busbar Access Top Removed



Inside Top



Side View



Front View

Firehouse



Contents

<i>Description</i>	<i>Page</i>
Power Pedestals	V1-T5-51
Lighthouse	V1-T5-54
Lighthouse-SS	V1-T5-58
Admiral-SS	V1-T5-62
Newport Harbor Mate	V1-T5-65
Hatteras Light	V1-T5-69
Firehouse	
Available Options	V1-T5-74
Catalog Number Selection	V1-T5-74
Accessories	V1-T5-75
Dimensions	V1-T5-78
Smart Start	V1-T5-79
Mariner	V1-T5-80
Digital Electronic Kilowatthour Meters	V1-T5-81
Distribution Equipment—Ground Fault Monitor	V1-T5-82
Distribution Equipment—Mega Yacht Powerpoint	V1-T5-83
Distribution Equipment—Substations	V1-T5-86
Distribution Equipment—Panels	V1-T5-89
Distribution Equipment—Transformers	V1-T5-90

Firehouse

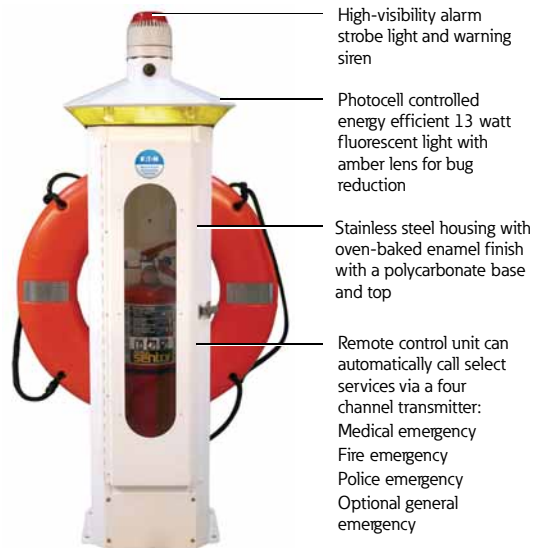
Product Description

Created as a complete solution for fire and rescue needs, this pedestal features fire extinguisher storage and a mounted alarm strobe light and siren, as well as an optional life ring. This unit is well equipped for any marina emergency. The alarm strobe light and siren can be automatically activated when the door is open or optional life ring is removed.

Features, Benefits and Functions

- Alarm strobe light and siren: automatically activated when door is open or optional life ring is removed
- Photocell controlled 13 watt fluorescent light (clear lens or amber lens for bug reduction)
- 10 lb ABC Type fire extinguisher
- 316L stainless steel polyester powder-coated housing
- Polycarbonate top assembly

Firehouse



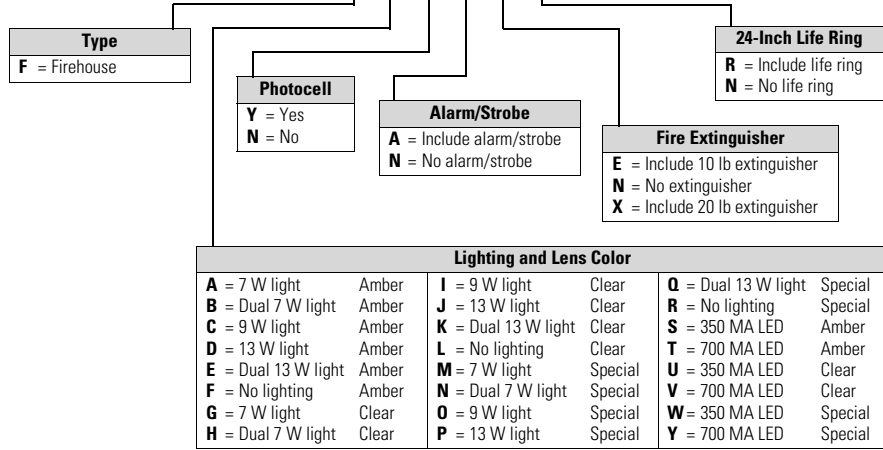
- High-visibility alarm strobe light and warning siren
- Photocell controlled energy efficient 13 watt fluorescent light with amber lens for bug reduction
- Stainless steel housing with oven-baked enamel finish with a polycarbonate base and top
- Remote control unit can automatically call select services via a four channel transmitter:
 - Medical emergency
 - Fire emergency
 - Police emergency
 - Optional general emergency

Available Options

- 24-inch life ring
- 20 lb ABC Type fire extinguisher available

Catalog Number Selection

F A Y A E N



Accessories

Accessories for Custom Design Marina Products, Resin and Stainless Steel Pedestals and Power Products

Replacement Parts Catalog Numbers

Description	Catalog Number
Receptacles	
20 A GFCI duplex	MPL3038
30 A 125 V twistlock	MPL3039
50 A 125 V twistlock	MPL3040
50 A 125/250 V twistlock	MPL3045
100 A 120/240 V pin and sleeve	MPL4100R12W
100 A 120/208 pin and sleeve	MPL5100R9W
100 A 480 V four-wire pin and sleeve	MPL4100R7W
100 A 480 V five-wire pin and sleeve	MPL5100R7W
200 A 277/480 V pin and sleeve (Russellstoll®)	MPL4200R7W
30 A 125 V RV	RV3042
50 A 125/250 V RV	RV3043
Circuit Breakers	
20 A 125 V single-pole	QCF1020
20 A 125 V single-pole GFCI	QCGF1020
30 A 125 V single-pole	QCF1030
30 A 125 V single-pole GFCI	QCGF1030
50 A 125 V single-pole	QCF1050
20 A 125/250 V two-pole	QCF2020
20 A 125/250 V two-pole GFCI	QCGF2020
30 A 125/250 V two-pole	QCF2030
30 A 125/250 V two-pole GFCI	QCGF2030
50 A 125/250 V two-pole	QCF2050
50 A 125/250 V two-pole GFCI	QCGF2050
60 A 125/250 V two-pole	QCF2060
100 A 125/250 V two-pole	GHC2100D
100 A 120/208 V three-pole	GHC3100D
200 A 277/480 V three-pole	JT2200FA
Fluorescent Light Assembly	
13 watt 120 V 60 Hz ballast	MPL2400
7 watt 120 V 60 Hz ballast	MPL2401
13 watt socket	MPL3079
7 watt socket	MPL3077
13 watt fluorescent bulb	MPL3018
7 watt fluorescent bulb	MPL3019
Photocell	MPL3044
Photocell nuts	MPL3034
Lighthouse in-line fuse	MPL3026
Lighthouse in-line fuse holder	MPL3027
Lighthouse, Lighthouse-SS, Powerhouse, Powerhouse-SS, Hatteras, Park Light	
Top with complete light and lens assembly	MPL6003A
Top with complete light and lens assembly—fused	MPL6003FA
Top only	MPL6003
Amber lens	MPL6005
Clear lens	MPL6008

Replacement Parts Catalog Numbers, continued

Description	Catalog Number
Lighthouse, Lighthouse-SS, Powerhouse, Powerhouse-SS, Hatteras, Park Light, continued	
20 A GFCI receptacle external cover set	MPL1101
30 A receptacle external cover set	MPL1102
50 A receptacle external cover set	MPL1105
Single-pole external breaker cover set	MPL11061
Two-pole external breaker cover set	MPL11062
Three-pole external breaker cover set	MPL11063
Lighthouse, Lighthouse-SS, Powerhouse, Powerhouse-SS	
Lighthouse/Powerhouse pedestal main housing	MPL6006
Lighthouse-SS/Powerhouse-SS pedestal main housing	MPL6006S
Lighthouse/Powerhouse main door	MPL6007
Lighthouse-SS/Powerhouse-SS main door	MPL6007S
Lighthouse/Powerhouse spring closure	MPL1099
Lighthouse Powerhouse top isolation plate	MPL6012
Lighthouse/Lighthouse-SS breaker plate	MPL1141
Powerhouse/Powerhouse-SS breaker plate	RV1112
Lighthouse/Lighthouse-SS/Powerhouse/Powerhouse-SS Hose and cable brackets	MPL1087
Lighthouse/Powerhouse stainless steel hinge	MPL1088
Lighthouse/Powerhouse complete pedestal base with busbar assembly	MPL6004A
Lighthouse/Powerhouse complete pedestal base with three-phase busbar assembly	MPL6004FA
Lighthouse/Powerhouse pedestal base without busbars	MPL6004
Lighthouse/Powerhouse aluminum blank access panel	MPL5500
Lighthouse/Lighthouse-SS/Powerhouse/Powerhouse-SS complete busbar assembly	MPL1140A
Lighthouse/Lighthouse-SS/Powerhouse/Powerhouse-SS complete three-phase busbar assembly	MPL1140FA
Copper busbar with nuts and washers	MPL3471
20 A GFCI—00 amber resin faceplate	MPL1120
30 A—20 GFCI amber resin faceplate	MPL1121
30—50 A amber resin faceplate	MPL1122
30—30 A amber resin faceplate	MPL1127
30—00 A amber resin faceplate	MPL1129
50—50 A amber resin faceplate	MPL1123
50 A—20 GFCI amber resin faceplate	MPL1124
20 GFCI—20 GFCI amber resin faceplate	MPL1125
00—00 amber resin faceplate	MPL1126
50 A—00 amber resin faceplate	MPL1128
100 A faceplate	MPL1142
20 A GFCI—00 amber resin faceplate assembly with breakers	MPL1120A
30 A—20 GFCI amber resin faceplate assembly with breakers	MPL1121A
30—50 A amber resin faceplate assembly with breakers	MPL1122A

Replacement Parts Catalog Numbers, continued

Description	Catalog Number
Lighthouse, Lighthouse-SS, Powerhouse, Powerhouse-SS, continued	
30-30 A amber resin faceplate assembly with breakers	MPL1127A
50-50 A amber resin faceplate assembly with breakers	MPL1123A
50 A—20 GFCI amber resin faceplate assembly with breakers	MPL1124A
20 GFCI—20 GFCI amber resin faceplate assembly with breakers	MPL1125A
50 A—00 amber resin faceplate assembly with breakers	MPL1128A
30-00 A faceplate assembly with breakers	MPL1129A
100 A faceplate assembly with breakers	MPL1142A
Powerhouse 30-50 receptacle plate	RV1143
Powerhouse (30 A—00) receptacle plate	RV11433
Powerhouse (50 A—00) receptacle plate	RV11435
Powerhouse breaker plate	RV1112
Phone, Cable, Internet Assemblies	
Lighthouse/Powerhouse complete phone and cable assembly	MPL1114/RV1114
Lighthouse-SS/Powerhouse-SS/Hatteras Light/Park Light complete phone and cable assembly	MPL1119/RV1119
Hatteras Light/Park Light complete phone and cable assembly	MPL1119
Newport Harbor Mate/Camp Mate phone and cable insert assembly	MPL1115/RV1115
Lighthouse/Powerhouse access plates with dual Internet jacks	MPL5501
Coax cable TV FCF female adpt. with lugnut and washer	MPL1086
RJ45 CAT5e high-speed internet jack	MPL3059
Marine phone receptacle	MPL3037
RJ12 CAT3 phone jack	RV3060
Water Assemblies	
Lighthouse/Powerhouse complete water manifold assembly (dual 3/4-inch hose bibs with 1/4-turn ball valves)	MPL11A
Newport Harbor Mate/Newport Camp Mate water manifold assembly (dual 3/4-inch hose bibs with 1/4-turn ball valves)	MPL11C
3/4-inch hose adapter	MPL7030
Lighthouse/Powerhouse water mounting plate with mounting brackets	MPL1132
Hatteras Light/Park Light aluminum water mounting plate	MPL6584
1/2-inch brass silcock (hose bib)	MPL7014
3/4-inch stainless steel silcock (hose bib)	MPL5271
3/4-inch brass ball valve	MPL7021
Watts 3/4-inch backflow preventer	MPL7015

Replacement Parts Catalog Numbers, continued

Description	Catalog Number
Digital Electronic Meters	
Single element, 14-pin quick disconnect (no CTs)	MPL17A1
Single element, 14-pin quick disconnect (with CTs)	MPL17A2 ^①
Single element, 14-pin quick disconnect (with CTs)	MPL17A2 ^②
Dual element, 14-pin quick disconnect (no CTs)	MPL17B1
Dual element, 14-pin quick disconnect (with CTs)	MPL17B2 ^①
Dual element, 14-pin quick disconnect (with CTs)	MPL17B2 ^②
Three element, 14-pin quick disconnect (no CTs)	MPL17C1
Three element, 14-pin quick disconnect (with CTs)	MPL17C2 ^①
Three element, 14-pin quick disconnect (with CTs)	MPL17C2 ^②
Single element coil transformers (CTs)	MPL30321 ^①
Single element coil transformers (CTs)	MPL30321 ^②
Dual element coil transformers (CTs)	MPL30322 ^①
Dual element coil transformers (CTs)	MPL30322 ^②
Three element coil transformers (CTs)	MPL30323 ^①
Three element coil transformers (CTs)	MPL30323 ^②
Counter (large—old style)	MPL3022
Counter (small—new style)	MPL3021
Hatteras Light (Marina) and Park Light (RV) ^③	
Pedestal main housing	MPL6002
Copper busbar with nuts and washers	MPL3468
Complete busbar assembly	MPL1108A
Complete three-phase busbar assembly	MPL1108FA
20 A GFCI external cover door	MPL1101
30 A external cover door	MPL1102
50 A external cover door	MPL1105
Light fuse	MPL3026
Fuse holder	MPL3027
Mounting feet (set of four)	MPL7004

Notes

- ^① Lighthouse, Lighthouse-SS, Powerhouse, Powerhouse-SS.
- ^② Hatteras Light, Park Light, Newport Camp Mate, Newport Harbor Mate.
- ^③ Please contact factory to determine configurations for replacement housing.

Replacement Parts Catalog Numbers, continued

Description	Catalog Number
Newport Harbor Mate (Marina) and Camp Mate (RV)	
Amber lens—three-piece	MPL1117
Clear lens—three-piece	MPL1109
Main housing	MPL6000
Main door	MPL6001
30–30 A faceplate ①	MPL1135
30–50 A faceplate ①	MPL1136
50–50 A faceplate ①	MPL1137
50 A–00 faceplate ①	MPL1138
30 A–00 faceplate ①	MPL1139
30–30 A faceplate assembly with breakers ①	MPL1135A
30–30–20 GFI faceplate assembly ①	MPL1135G/RV1135G
30–50 A faceplate assembly with breakers ①	MPL1136A
30–50–20 GFI faceplate assembly ①	MPL1136G/RV1136G
50–50 A faceplate assembly with breakers ①	MPL1137A
50–50–20 GFI faceplate assembly ①	MPL1137G/RV1137G
50 A–00 faceplate assembly with breakers ①	MPL1138A
50–20 GFI faceplate assembly ①	MPL1138G/RV1138G
30 A–00 faceplate assembly with breakers ①	MPL1139A
30–20 GFI faceplate assembly ①	MPL1139G/RV1139G
Mounting brackets	MPL7005
36-inch stainless steel stand	MPL5506
Copper busbar with nuts and washers	MPL3468
Complete busbar assembly	MPL1108A
Complete three-phase busbar assembly	MPL1108FA
Firehouse (Marina and RV)	
Red strobe light/siren	MPL3020
Firehouse top with lighting assembly and strobe	MPLFH6003A
Light fuse	MPL3029
Fuse holder	MPL3028
Door	MPL6013
24-inch life ring	MPL4201
Life ring bracket	MPL4201B
Blank access panel	MPL6015
Door/life ring switch (pre-2004)	MPL3030
Door/life ring switch (new)	MPL3050
Door hasp	MPL3950
Busbar (double barrel terminal block)	MPL3751
10-lb ABC Type fire extinguisher	MPL8025
20-lb ABC Type fire extinguisher	MPL8025X

Note

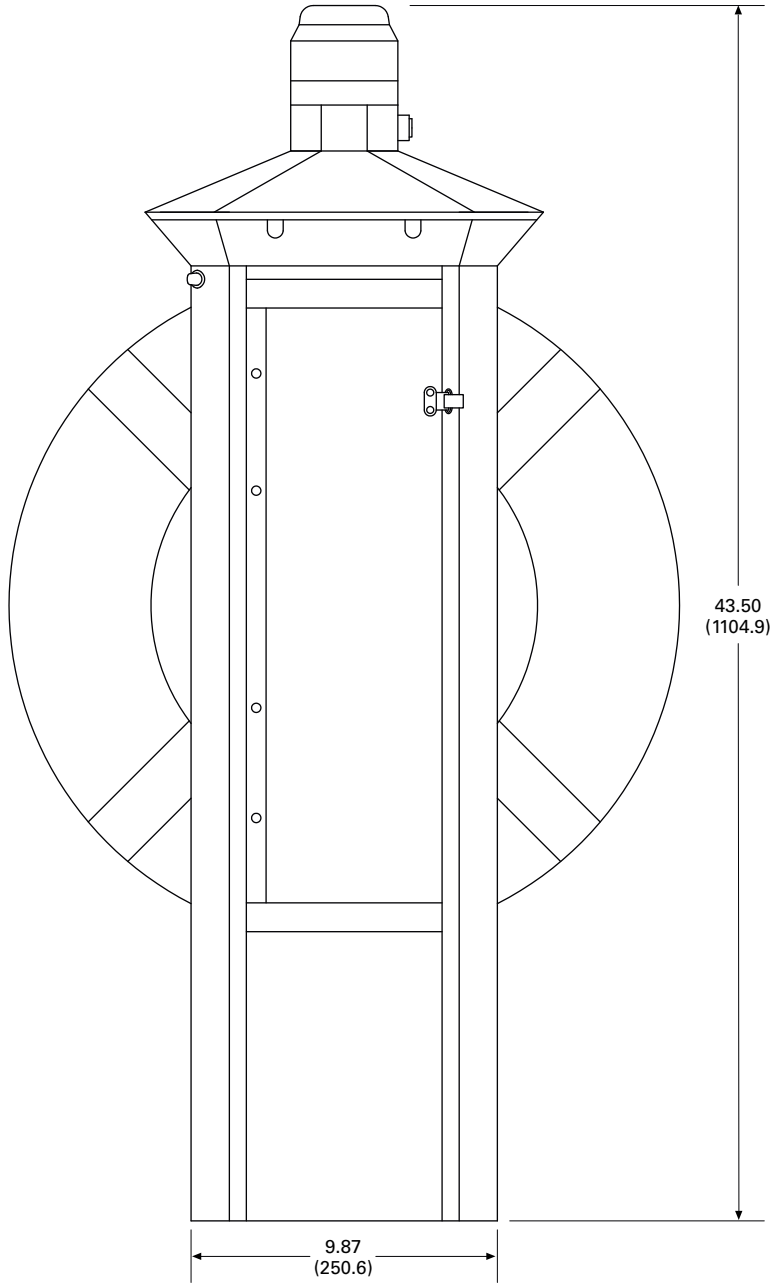
① For custom faceplates to include phone/cable or other accessories, please contact Eaton's Marina Power & Lighting facility at 1-800-723-8009.

Dimensions

Approximate Dimensions in Inches (mm)

Firehouse-SS

5



Smart Start



Contents

<i>Description</i>	<i>Page</i>
Power Pedestals	V1-T5-51
Lighthouse	V1-T5-54
Lighthouse-SS	V1-T5-58
Admiral-SS	V1-T5-62
Newport Harbor Mate.	V1-T5-65
Hatteras Light	V1-T5-69
Firehouse	V1-T5-73
Smart Start	
Mariner	V1-T5-80
Digital Electronic Kilowatthour Meters	V1-T5-81
Distribution Equipment—Ground Fault Monitor	V1-T5-82
Distribution Equipment—Mega Yacht Powerpoint	V1-T5-83
Distribution Equipment—Substations.	V1-T5-86
Distribution Equipment—Panels.	V1-T5-89
Distribution Equipment—Transformers.	V1-T5-90

Smart Start

Product Description

If you have transient boat slips, Eaton Marina Power and Lighting has developed their newest product for your situation.

The new “Smart Start” pedestal is activated by the swipe of a credit card. A kiosk will be centrally located at the marina and will control up to 32 power pedestals. When a boater wants to use a slip, they will enter the slip number and amount of time they would like and will then be asked to swipe a card in order to activate the pedestal. Once the chosen time is up, the pedestal will shut down. No more free power!

The “Smart Start” pedestal will not only prevent transient boaters from stealing power, but it will also eliminate the need for 24-hour monitoring of the slips. Boaters will be able to come in at any time of the day and activate a pedestal.

Features

- Lighted 316L stainless steel kiosk enclosure
- Programmable slip time blocks
- Programmable slip rates printable receipts

Standards and Certifications

- UL listing pending



Dimensions

Approximate Dimensions in Inches (mm)

Smart Start	
Height	60.05 (1525.3)
Width	14.15 (359.4)
Depth	14.24 (361.9)

Marina Power and Lighting Equipment



Mariner

5

Mariner

Product Description

The Mariner is a lighting bollard that can stand from 1.5 to 4 feet tall and can be used in various applications from marina docks, to landscaped areas, golf courses and beyond. The Mariner will have a lifetime warranty on the engineered resin housing that will withstand the harsh marine and land environments from Alaska to the tropics.

Features

- Can be configured with a 7 watt, 9 watt or 13 watt fluorescent bulb
- Mounting base and painted pole supplied for desired height
- Limited lifetime warranty on engineered resin housing
- Custom colors available
- Side-mounted option

Contents

Description

<i>Description</i>	<i>Page</i>
Power Pedestals	V1-T5-51
Lighthouse	V1-T5-54
Lighthouse-SS	V1-T5-58
Admiral-SS	V1-T5-62
Newport Harbor Mate.	V1-T5-65
Hatteras Light	V1-T5-69
Firehouse	V1-T5-73
Smart Start	V1-T5-79
Mariner	
Digital Electronic Kilowatthour Meters	V1-T5-81
Distribution Equipment—Ground Fault Monitor	V1-T5-82
Distribution Equipment—Mega Yacht Powerpoint	V1-T5-83
Distribution Equipment—Substations.	V1-T5-86
Distribution Equipment—Panels.	V1-T5-89
Distribution Equipment—Transformers.	V1-T5-90

Dimensions

Approximate Dimensions in Inches (mm)

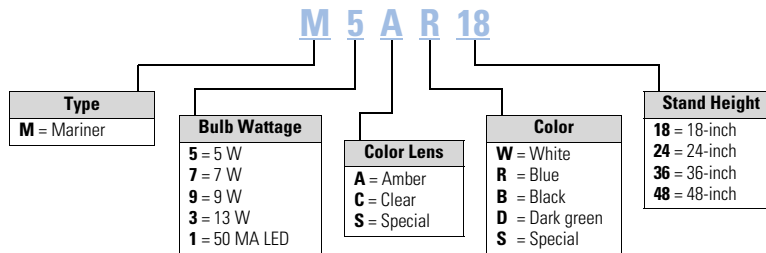
Mariner

7 watt	14.15 (359.4)
9 watt/13 watt	14.24 (361.9)

Mounting Base and Pole

1.5 feet–4 feet

Catalog Number Selection



Digital Electronic Kilowatt Hour Meters



Contents

<i>Description</i>	<i>Page</i>
Power Pedestals	V1-T5-51
Lighthouse	V1-T5-54
Lighthouse-SS	V1-T5-58
Admiral-SS	V1-T5-62
Newport Harbor Mate.	V1-T5-65
Hatteras Light	V1-T5-69
Firehouse	V1-T5-73
Smart Start	V1-T5-79
Mariner	V1-T5-80
Digital Electronic Kilowatthour Meters	
Distribution Equipment—Ground Fault Monitor	V1-T5-82
Distribution Equipment—Mega Yacht Powerpoint	V1-T5-83
Distribution Equipment—Substations.	V1-T5-86
Distribution Equipment—Panels.	V1-T5-89
Distribution Equipment—Transformers.	V1-T5-90

Digital Electronic Kilowatthour Meters

Product Description

Using the latest surface mount technology, Eaton manufactures a digital electronic kilowatthour meter that exceeds the +/- 2% accuracy required by ANSI (American National Standards Institute) C-12.1 and is approved by the state of California at +/- 1% over the full range of 0–100 A from a 0.5–1 power factor and is available for both single- and three-phase applications.

The meter drives an electro-mechanical counter that requires a 12 V pulse each tenth of a kilowatthour, providing 10 pulses per kilowatt used. The meter output can be hard wired or connected to a transmitter in the pedestal for wireless transmission to a receiver displaying the output on a PC for direct billing of up to 1,000 individual customers.

Features

Our meter is designed to be user friendly in that all connections from external sources and the meter output are through one 14-pin locking connector. This feature eliminates many common problems, such as reverse line polarity and improper coil polarity. Simple LEDs, both red and green, indicate line and load condition and the pulsed LED indicates the rate of power consumption.

Wireless System

All of our meters are “wireless capable” to allow for wireless meter reading. This technology enables the marina or RV park to get meter readings from one central location rather than visiting every site to read the counters.

Meter Socket Capabilities

Meter sockets are available on the Lighthouse and Lighthouse-SS.

Standard

- Four jaw
- Ring-type
- 100 A

Available Options

- 200 A (SS only)
- Lockable hasp
- Ringless (SS only)
- Five jaw
- Seven jaw (SS only)

Product Selection



One Element Meter



Two Element Meter



Three Element Meter

Ground Fault Monitor



5

Distribution Equipment—Ground Fault Monitor

Product Description

Our ground fault monitoring systems are designed to detect fault currents in the AC shore power system that are too low to trip a circuit breaker. The ground fault monitor helps reduce the risk of injury or property damage that may result from stray fault currents. Our ground fault monitoring system provides information to the maintenance staff on the overall condition of the AC electrical system. The ground fault monitoring system operates 24 hours a day and can be monitored by non-technical personnel.

Features

- Adjustable trip level 10 mA to 10 A
- Current transformers up to 8 1/4-inch diameter
- Visual and/or audible alarm
- Housing of fiberglass or powder-coated stainless steel available

Power Guard

The ground fault monitor detects ground fault currents by means of current transformers (CT), which are placed around main or branch circuits. If a ground fault occurs, the CT will detect the amount of fault current and send a signal to the ground fault monitoring device where the amount of fault current is displayed with the faulty circuit identified. The detected fault can either activate an indicator alarm or disconnect the faulted circuit.

Contents

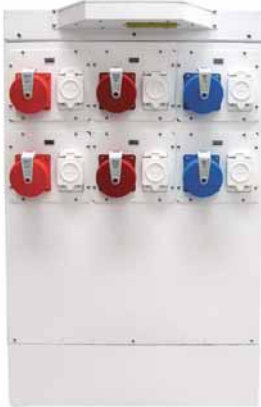
<i>Description</i>	<i>Page</i>
Power Pedestals	V1-T5-51
Lighthouse	V1-T5-54
Lighthouse-SS	V1-T5-58
Admiral-SS	V1-T5-62
Newport Harbor Mate	V1-T5-65
Hatteras Light	V1-T5-69
Firehouse	V1-T5-73
Smart Start	V1-T5-79
Mariner	V1-T5-80
Digital Electronic Kilowatt-hour Meters	V1-T5-81
Distribution Equipment—Ground Fault Monitor	
Distribution Equipment—Mega Yacht Powerpoint	V1-T5-83
Distribution Equipment—Substations	V1-T5-86
Distribution Equipment—Panels	V1-T5-89
Distribution Equipment—Transformers	V1-T5-90

Standards and Certifications

- UL listed current transformers



Marina Power and Lighting Equipment



Contents

<i>Description</i>	<i>Page</i>
Power Pedestals	V1-T5-51
Lighthouse	V1-T5-54
Lighthouse-SS	V1-T5-58
Admiral-SS	V1-T5-62
Newport Harbor Mate.	V1-T5-65
Hatteras Light	V1-T5-69
Firehouse	V1-T5-73
Smart Start	V1-T5-79
Mariner	V1-T5-80
Digital Electronic Kilowatthour Meters	V1-T5-81
Distribution Equipment—Ground Fault Monitor	V1-T5-82
Distribution Equipment—Mega Yacht Powerpoint Wiring Diagram	V1-T5-84
Dimensions	V1-T5-85
Distribution Equipment—Substations.	V1-T5-86
Distribution Equipment—Panels.	V1-T5-89
Distribution Equipment—Transformers.	V1-T5-90

Distribution Equipment—Mega Yacht Powerpoint

Product Description

From the company that is known for its high-quality innovations, Eaton is the only company to offer a self-contained dual-phase mega yacht unit. Made out of long-lasting stainless steel, this mega yacht unit has a copper-wound, low-noise transformer that is double insulated and epoxy overcoated. The mega yacht unit delivers both single-phase and three-phase power to serve most mega yachts. Helping to keep your marina environment tranquil, the mega yacht unit has a low-noise, highly efficient transformer that has isolation mounts to ensure a very quiet operation.

Features

- Thermostatically controlled fans in transformer compartment for cooling
- Heavy stainless steel (316L) cabinet with a polyester powder coating
- Ventilated sun shields to help unit run cooler in tropical climates
- Limited lifetime warranty on housing
- Two or three light 13 watt photocell controlled fluorescent lights on the sun shield for optimal night lighting

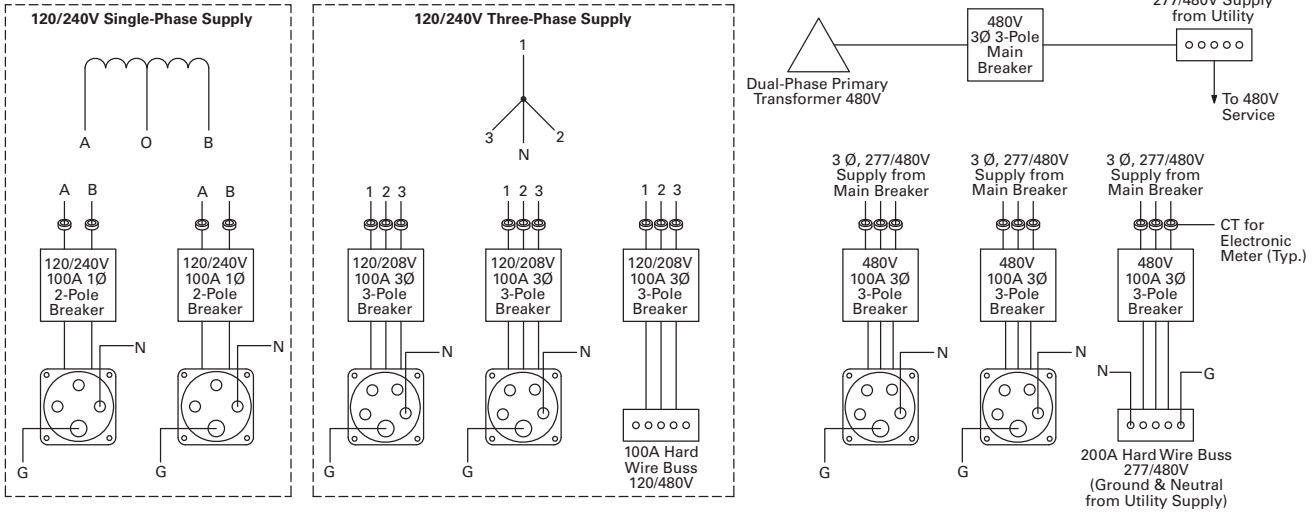
Available Options

- 200 A–480 V three-phase receptacles
- 100% rated breakers
- Hard wiring busbars for all voltages with breaker protection
- Two 3/4 inch water outlets with a water meter
- Two phone, two CATV and two CAT5 high-speed Internet connections
- Digital electronic meters on all receptacles
- Primary breaker
- Two 480 V delta or wye 125 A three-phase receptacles (IEC)
- Two 120/208 V 100 A three-phase receptacles (IEC)
- Two 120/240 V 100 A single-phase receptacles (IEC)
- Up to four 50 A 120/240 V locking receptacles (NEMA)
- Up to four 30 A 120 V locking receptacles (NEMA)
- Wireless remote metering for electric and water
- 20 A GFI receptacle
- Primary side 480 V maximum 600 A
- Secondary side single-phase 120/240 V maximum 100 kVA
- Secondary side three-phase 120/208 V maximum 125 kVA
- Fire extinguisher—10 or 20 lbs

Wiring Diagram

Powerpoint

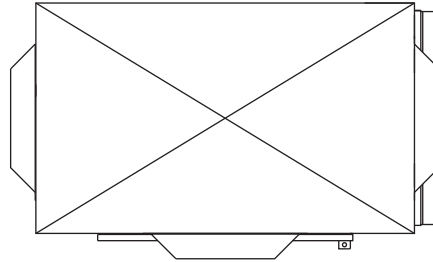
5



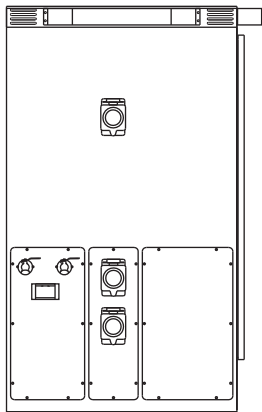
Dimensions

Approximate Dimensions in Inches (mm)

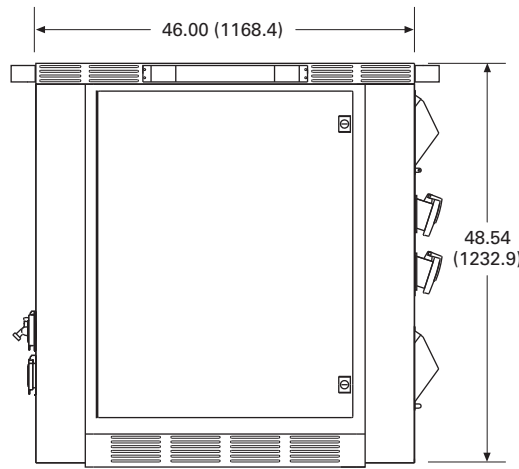
Powerpoint Unit



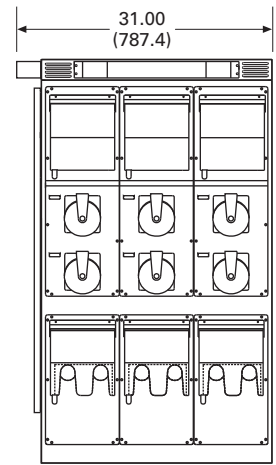
Top With Solar Shield



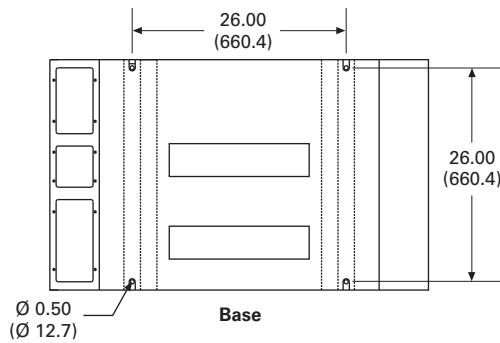
Left Side



Front



Right Side



Base

Substations



Double Panel Substation

5

Contents

<i>Description</i>	<i>Page</i>
Power Pedestals	V1-T5-51
Lighthouse	V1-T5-54
Lighthouse-SS	V1-T5-58
Admiral-SS	V1-T5-62
Newport Harbor Mate	V1-T5-65
Hatteras Light	V1-T5-69
Firehouse	V1-T5-73
Smart Start	V1-T5-79
Mariner	V1-T5-80
Digital Electronic Kilowatt-hour Meters	V1-T5-81
Distribution Equipment—Ground Fault Monitor	V1-T5-82
Distribution Equipment—Mega Yacht Powerpoint	V1-T5-83
Distribution Equipment—Substations	
Features, Benefits and Functions	V1-T5-87
Available Options	V1-T5-88
Standards and Certifications	V1-T5-88
Dimensions	V1-T5-88
Distribution Equipment—Panels	V1-T5-89
Distribution Equipment—Transformers	V1-T5-90

Distribution Equipment—Substations

Product Description

The introduction of substations into the marina and recreational vehicle market allows Eaton to be your complete marina and RV park electrical products supplier. We are able to assist in the design and layout of your marina or RV park electrical system from the primary service provider, to your power pedestal. Our substations are designed for any coastal or inland environment and are constructed of powder-coated stainless steel NEMA 3R housing cabinets. All substation cabinets come with our limited lifetime warranty. All of our substations use Eaton's panels and circuit breakers providing our customers the utmost in circuit protection and quality.

Application Description

The aluminum and Galvaneal cabinets are recommended for inland applications. The substations can be configured with 50–330 kVA single-phase or three-phase copper wound transformers and up to 20 single-phase or 12 three-phase branch breakers. An optional three-sided double-wall cabinet is available that provides air flow between the panels. All substations come standard with temperature controlled cooling fans.

Product Selection Guide

Panel and Transformer Combinations

Panel	Transformer
Single-Phase	
200 A	50 kVA
300 A	75 kVA
400 A	100 kVA
600 A	150 kVA
700 A	167.5 kVA
800 A	200 kVA
1000 A	250 kVA
1200 A	330 kVA
Three-Phase	
100 A	45 kVA
200 A	75 kVA
300 A	112.5 kVA
400 A	150 kVA
600 A	225 kVA
800 A	300 kVA

Features, Benefits and Functions

- Limited lifetime warranty on the housing
- All stainless steel hardware
- Temperature controlled cooling fans in the transformer and circuit breaker compartments
- Lockable door

Ventilation

The substation ventilation is designed to optimize air circulation over and around the transformers and through the panel compartment so that the substation operates at lower temperatures.

Substations come equipped with temperature controlled cooling fans for exhausting hot air from the cabinet and solar shield.

In addition, substations are available with a double-walled cabinet and solar shield, which allow for cooling of both the exterior surface of the cabinet and the internal components.

Substations

Stainless steel housing with polyester powder coating



Limited lifetime warranty on the housing

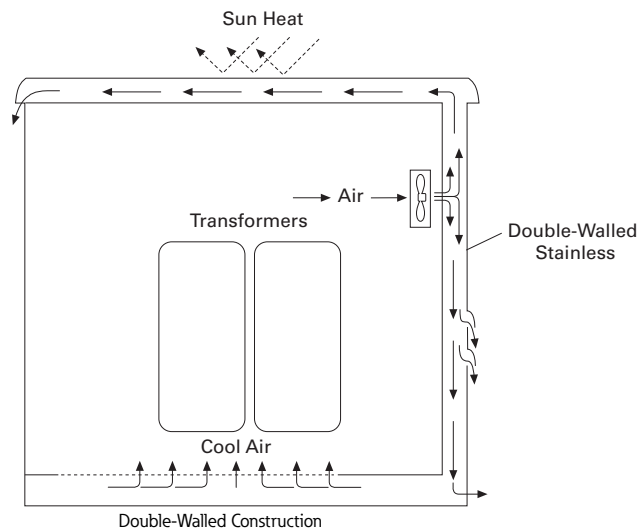
Stainless steel hardware with locking doors

Temperature-controlled fans for cooling



Custom made to your specifications:
Single-phase or three-phase copper wound transformers
50 to 330 kVA

Up to 1200 A main circuit breaker with
20 single-phase or 12 three-phase
branch circuit breakers



Available Options

- Powder-coated cabinets made of stainless steel or fiberglass
- Limited lifetime warranty on housing. Transformer and secondary distribution panel in a single enclosure have a one-year limited warranty
- Stainless steel housing and hardware with locking doors
- Single-phase and three-phase models
- Overload capacity meets ANSI L57.96–01.250
- Optional double-walled construction
- Temperature controlled fans for cooling
- Custom-made copper wound single-phase or three-phase transformers from 50–330 kVA
- Up to 1200 A main circuit breaker with 15 single-phase branch circuit breakers or 10 three-phase branch circuit breakers
- Substations can be equipped with photocells to turn on and off lights
- A 20 A GFI can be installed in the cabinet, as well as a ground fault monitoring system

Standards and Certifications

- cULus listed

**Dimensions**

Approximate Dimensions in Inches (mm)

Substations**Standard Substation**

Height	53.00 (1346.2)
Width	51.00 (1295.4)
Depth	33.00 (838.2)

Side-by-Side Substation

Height	53.00 (1346.2)
Width	66.00 (1676.4)
Depth	30.00 (762.0)

Double Panel Substation

Height	53.00 (1346.2)
Width	63.00 (1600.2)
Depth	33.00 (838.2)

Panels



Panel (Stainless Steel Shown)

Contents

<i>Description</i>	<i>Page</i>
Power Pedestals	V1-T5-51
Lighthouse	V1-T5-54
Lighthouse-SS	V1-T5-58
Admiral-SS	V1-T5-62
Newport Harbor Mate.	V1-T5-65
Hatteras Light	V1-T5-69
Firehouse	V1-T5-73
Smart Start	V1-T5-79
Mariner	V1-T5-80
Digital Electronic Kilowatthour Meters	V1-T5-81
Distribution Equipment—Ground Fault Monitor	V1-T5-82
Distribution Equipment—Mega Yacht Powerpoint	V1-T5-83
Distribution Equipment—Substations.	V1-T5-86
Distribution Equipment—Panels	
Distribution Equipment—Transformers.	V1-T5-90

Distribution Equipment—Panels

Product Description

Two of the many products we can offer our customers are Eaton’s PRL-3A and PRL-4 panels as standalone units or in one of our substations. All of our busses are made of copper and are load rated; breakers are bolt-on type. Distribution panels can be 120/240 V single-phase, 120/208 V three-phase, 277/480 V three-phase or 220Y/127 V three-phase based on your system requirements. Distribution panels can also have a main breaker or a main lug. Branch circuit breakers are provided based on customer requirements.

Features

- All internal wiring is fine stranded 1000 V insulated copper
- Copper busbars
- All exterior hardware is stainless steel

Available Options

- NEMA 3R or 4X
- Powder-coated stainless steel
- Main breaker up to 1200 A
- Branch breaker 20–1200 A
- Main lug only
- We also offer 480 V models—single-phase and three-phase

Standards and Certifications

- UL listed
- cULus listed



Single-Phase

- Up to 1200 A main circuit breakers
- Up to 42 branch circuit breakers

Three-Phase

- Up to 1200 A main circuit breakers
- Up to 42 branch circuit breakers

Transformers



Three-Phase Transformer

5

Contents

<i>Description</i>	<i>Page</i>
Power Pedestals	V1-T5-51
Lighthouse	V1-T5-54
Lighthouse-SS	V1-T5-58
Admiral-SS	V1-T5-62
Newport Harbor Mate	V1-T5-65
Hatteras Light	V1-T5-69
Firehouse	V1-T5-73
Smart Start	V1-T5-79
Mariner	V1-T5-80
Digital Electronic Kilowatt-hour Meters	V1-T5-81
Distribution Equipment—Ground Fault Monitor	V1-T5-82
Distribution Equipment—Mega Yacht Powerpoint	V1-T5-83
Distribution Equipment—Substations	V1-T5-86
Distribution Equipment—Panels	V1-T5-89
Distribution Equipment—Transformers	

Distribution Equipment—Transformers

Product Description

Because of the high humidity and corrosive conditions of coastal environments, our transformers are wound with Class H heavily insulated copper bar and are double dipped in tough insulating varnish that protects the copper, as well as reduces the hum that is typical in a transformer that is not double dipped. We provide a second overcoat of high temperature epoxy to protect against the severe saltwater environment. We can provide this transformer in single-phase, from 50 to 500 kVA, and three-phase, from 45 to 300 kVA.

Features

- Copper wound transformer coils double dipped in high temperature baking varnish
- All internal wiring is fine stranded 2000 V insulated copper
- Copper busbars
- Marine transformers with epoxy overcoat
- All copper-to-copper connections

Available Options

- Single-phase: 50–500 kVA
- Three-phase: 45–300 kVA
- Epoxy overcoat for non-marine applications

Primary Voltages

- 480 wye three-phase
- 480 V three-phase delta three-wire + ground
- 480 V single-phase two-wire + ground

Secondary Voltages

- 127/220 V three-phase wye four-wire
- 120/208 V three-phase wye four-wire
- 120/240 V single-phase three-wire

Marina Power Distribution Transformer kVA Availabilities

- Single-phase: 50, 75, 100, 150, 167.5, 200, 250, 330, 500 kVA
- Three-phase: 45, 75, 112.5, 150, 225, 300 kVA

Standards and Certifications

- cULus listed

