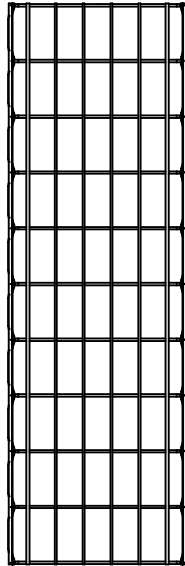


# CF 54 CABLOFIL CABLE TRAY

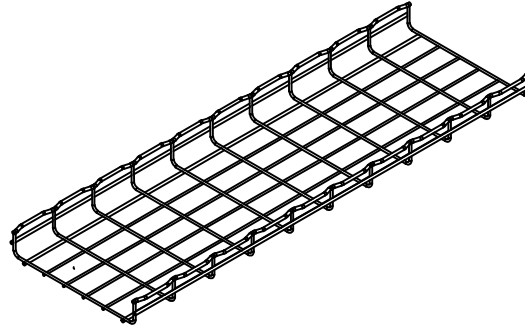
# CABLOFIL®

INNOVATORS IN CABLE MANAGEMENT

8319 State Route 4  
 Mascoutah IL 62258  
 Phone: 800-658-4641  
 618-566-3230  
 Fax: 618-566-3250  
[www.cablofil.com](http://www.cablofil.com)



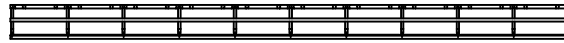
TOP



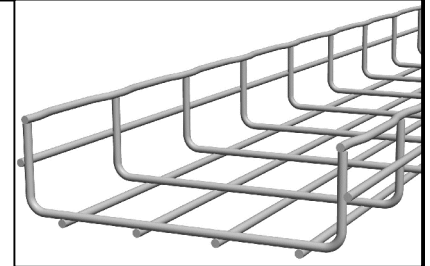
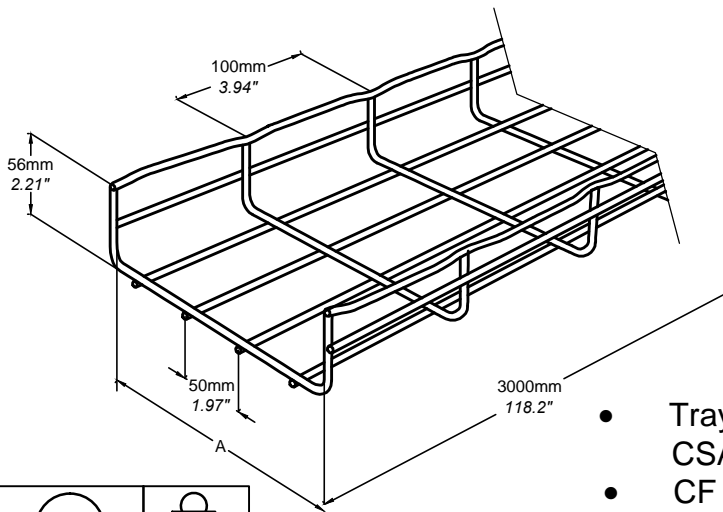
ISOMETRIC



FRONT



SIDE



- Tray designed per NEMA VE-1, CSA C22.2 No. 126
- CF has top wave wire (shown)
- ZF has straight top wire

in	mm
lb	

ZF* & CF54 50	1.967	50	5.3
ZF* & CF54 100	3.937	100	6.5
ZF* & CF54 150	5.904	150	7.8
ZF* & CF54 200	7.872	200	9.0
ZF* & CF54 300	11.81	300	13.4
ZF* & CF54 400	15.75	400	22.8
ZF* & CF54 450	17.71	450	25
ZF* & CF54 500	19.68	500	24.4
ZF* & CF54 550	21.65	550	25.9
ZF* & CF54 600	23.62	600	27.5
ZF54 750*	29.53	750	32.6
ZF54 900*	35.43	900	37.7

\* Top Wire Is Straight Type



BL	PE	316L
EZ	GC	304L

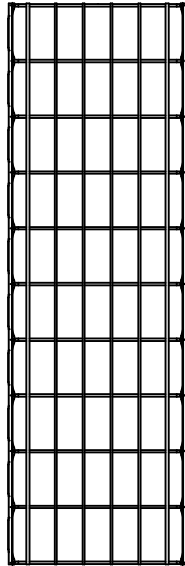
	Material	Finish
EZ	Carbon Steel ASTM A510 Grade 1008	Electroplated Zinc, ASTM B633
GC	Carbon Steel ASTM A510 Grade 1008	Hot-Dip Galvanized ASTM A123
BL	Carbon Steel ASTM A510 Grade 1008	Black Painted ASTM D 3451
PE	Carbon Steel ASTM A510 Grade 1008	Custom Painted ASTM D 3451
304L	AISI TYPE 304L	Passivated ASTM A 380
316L	AISI TYPE 316L	Passivated ASTM A 380

# CF 54 CABLOFIL CABLE TRAY

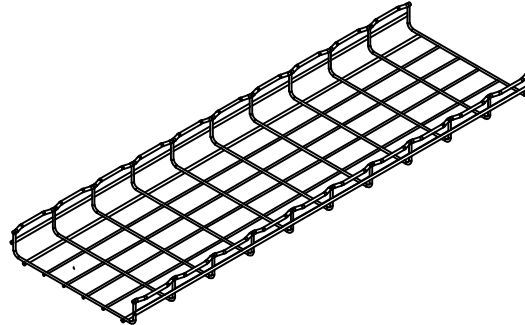
# CABLOFIL®

INNOVATORS IN CABLE MANAGEMENT

8319 State Route 4  
 Mascoutah IL 62258  
 Phone: 800-658-4641  
 618-566-3230  
 Fax: 618-566-3250  
[www.cablofil.com](http://www.cablofil.com)



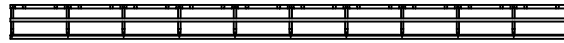
TOP



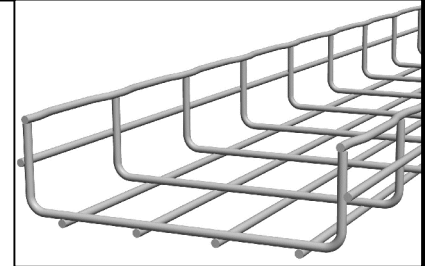
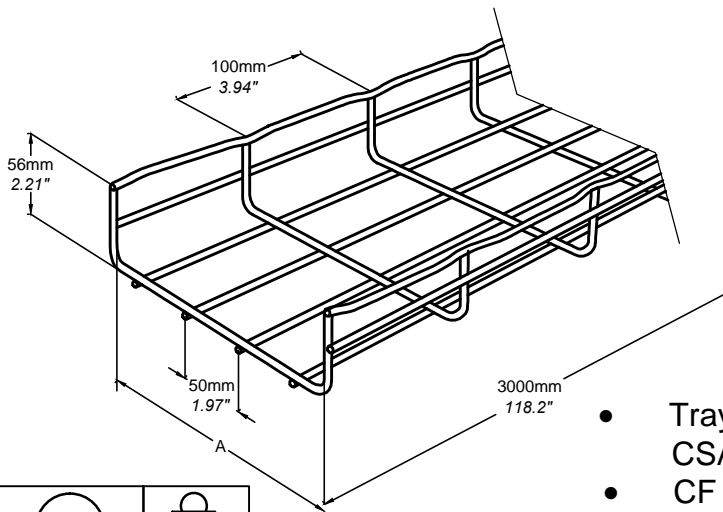
ISOMETRIC



FRONT



SIDE



- Tray designed per NEMA VE-1, CSA C22.2 No. 126
- CF has top wave wire (shown)
- ZF has straight top wire

in	mm
lb	

ZF* & CF54 50	1.967	50	5.3
ZF* & CF54 100	3.937	100	6.5
ZF* & CF54 150	5.904	150	7.8
ZF* & CF54 200	7.872	200	9.0
ZF* & CF54 300	11.81	300	13.4
ZF* & CF54 400	15.75	400	22.8
ZF* & CF54 450	17.71	450	25
ZF* & CF54 500	19.68	500	24.4
ZF* & CF54 550	21.65	550	25.9
ZF* & CF54 600	23.62	600	27.5
ZF54 750*	29.53	750	32.6
ZF54 900*	35.43	900	37.7

\* Top Wire Is Straight Type



BL	PE	316L
EZ	GC	304L

	Material	Finish
EZ	Carbon Steel ASTM A510 Grade 1008	Electroplated Zinc, ASTM B633
GC	Carbon Steel ASTM A510 Grade 1008	Hot-Dip Galvanized ASTM A123
BL	Carbon Steel ASTM A510 Grade 1008	Black Painted ASTM D 3451
PE	Carbon Steel ASTM A510 Grade 1008	Custom Painted ASTM D 3451
304L	AISI TYPE 304L	Passivated ASTM A 380
316L	AISI TYPE 316L	Passivated ASTM A 380