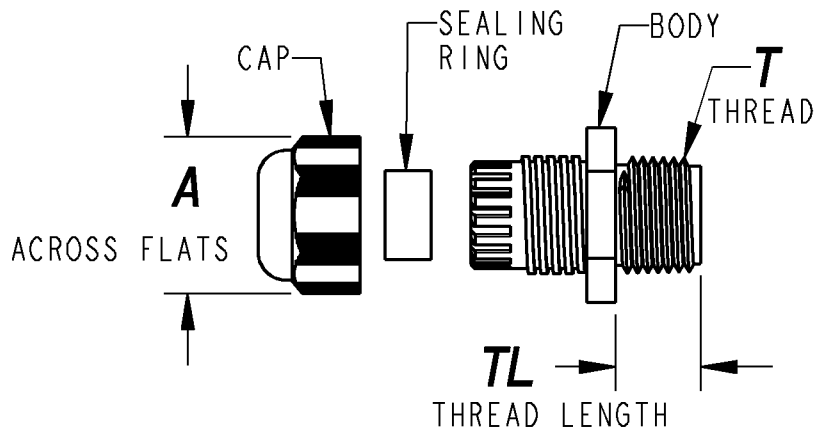
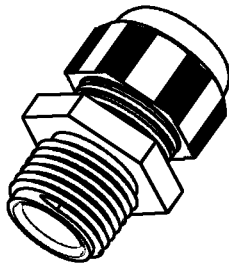




T&B Portable Cord Fittings



MATERIAL: BODY AND CAP- POLYANIDE 6
 SEALING RING: NEOPRENE
 COLOR: GRAY (RAL 7001)
 BLACK (RAL 9005)
 TEMPERATURE RANGE: -30°C TO 80°C PERMANENT
 OPERATING TEMPERATURE: UP TO +150°C INTERMITTENT

SEE SHEET 2 FOR ADDITIONAL DATA & AGENCY CERTIFICATIONS.

CC-PG36-G	PG36
CC-PG29-G	PG29
CC-PG21-G	PG21
CC-PG16-G	PG16
CC-PG135-G	PG13.5
CC-PG11-G	PG11
CC-PG9-G	PG9
CC-PG7-G	PG7
CATALOG NUMBER	SIZE

CC-IS032-G	IS032
CC-IS025-G	IS025
CC-IS020-G	IS020
CC-IS016-G	IS016
CATALOG NUMBER	SIZE

CC-NPT1-B	1"
CC-NPT1-G	1"
CC-NPT34-B	3/4"
CC-NPT34-G	3/4"
CC-NPT12-B	1/2"
CC-NPT12-G	1/2"
CC-NPT38-B	3/8"
CC-NPT38-G	3/8"
CATALOG NUMBER	SIZE

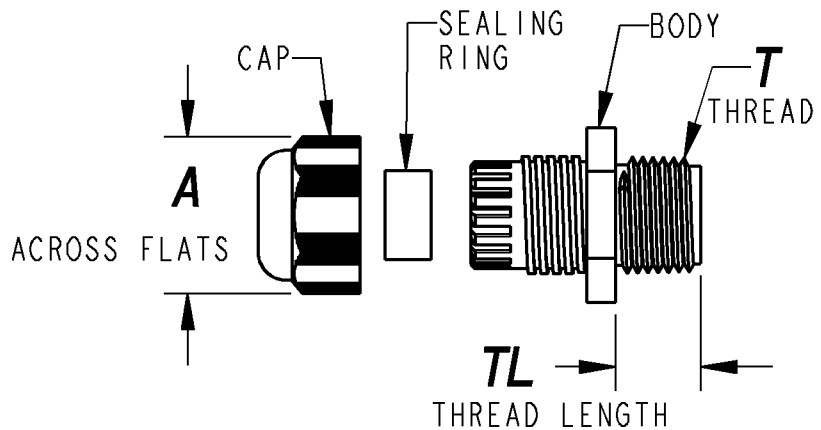
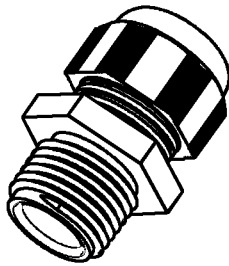
GENERAL NOTES		Thomas & Betts A Member of the ABB Group			
1. ALL DIMENSIONS ARE FOR REFERENCE ONLY. 2. DIMENSIONS IN BRACKETS [] ARE IN METRIC UNITS.					
REVISIONS		DESCRIPTION:			
2 SEE ERN 2016115 FOR APPROVAL SIGNATURES & RELEASE DATE. PROJECT NO: RM401887		NON-METALLIC NPT THREAD CABLE GLAND			
		ORIGINAL PROJECT NO / (ERN NO)	SHEET NO:	REV. NO:	DRAWING NO:
		RM401810 / (2002527)	1 OF 2	2	WSD-000004

CC-PG36-G	GRAY	1.260	.867	2.086	PG36	.512	UL, cCSAus	DRY LOCATION
CC-PG29-G	GRAY	.984	.709	1.653	PG29	.433	cULus, cCSAus	LIQUID-TIGHT
CC-PG21-G	GRAY	.709	.511	1.300	PG21	.433	UL, cCSAus	DRY LOCATION
CC-PG16-G	GRAY	.551	.394	1.063	PG16	.394	cULus, cCSAus	LIQUID-TIGHT
CC-PG135-G	GRAY	.473	.236	.945	PG13.5	.354	UL, cCSAus	DRY LOCATION
CC-PG11-G	GRAY	.394	.197	.866	PG11	.315	cURus, cCSAus	LIQUID-TIGHT
CC-PG9-G	GRAY	.315	.157	.748	PG9	.315	UR, cCSAus	DRY LOCATION
CC-PG7-G	GRAY	.256	.118	.590	PG7	.315	UR, cCSAus	DRY LOCATION
CC-ISO32-G	GRAY	.984	.709	1.653	ISO32	.590	cULus, cCSAus	LIQUID-TIGHT
CC-ISO25-G	GRAY	.709	.511	1.300	ISO25	.590	UL, cCSAus	LIQUID-TIGHT
CC-ISO20-G	GRAY	.473	.236	.945	ISO20	.394	UL, cCSAus	DRY LOCATION
CC-ISO16-G	GRAY	.394	.197	.866	ISO16	.394	cURus, cCSAus	LIQUID-TIGHT
CC-NPT1-B	BLACK	.984	.709	1.654	1-11 1/2 NPT	.790	cULus, cCSAus	LIQUID-TIGHT
CC-NPT1-G	GRAY	.984	.709	1.654	1-11 1/2 NPT	.790	cULus, cCSAus	LIQUID-TIGHT
CC-NPT34-B	BLACK	.709	.511	1.299	3/4-14 NPT	.590	UL, cCSAus	DRY LOCATION
CC-NPT34-G	GRAY	.709	.511	1.299	3/4-14 NPT	.590	UL, cCSAus	DRY LOCATION
CC-NPT12-B	BLACK	.551	.394	1.063	1/2-14 NPT	.590	cULus, cCSAus	DRY LOCATION
CC-NPT12-G	GRAY	.551	.394	1.063	1/2-14 NPT	.590	cULus, cCSAus	DRY LOCATION
CC-NPT38-B	BLACK	.394	.197	.866	3/8-18 NPT	.590	cULus, cCSAus	LIQUID-TIGHT
CC-NPT38-G	GRAY	.394	.197	.866	3/8-18 NPT	.590	cULus, cCSAus	LIQUID-TIGHT
CATALOG NUMBER	COLOR	MAXIMUM	MINIMUM	ACROSS FLATS	THREAD	THREAD LENGTH	AGENCY	CONDITIONS OF USE
		CLAMPING RANGE						

www.tnb.com		Thomas & Betts A Member of the ABB Group	
DESCRIPTION: NON-METALLIC NPT THREAD CABLE GLAND			
SHEET NO: 2 OF 2		REV. NO: 2	DRAWING NO: WSD-000004



T&B Portable Cord Fittings



MATERIAL: BODY AND CAP- POLYANIDE 6
 SEALING RING: NEOPRENE
 COLOR: GRAY (RAL 7001)
 BLACK (RAL 9005)
 TEMPERATURE RANGE: -30°C TO 80°C PERMANENT
 OPERATING TEMPERATURE: UP TO +150°C INTERMITTENT

SEE SHEET 2 FOR ADDITIONAL DATA & AGENCY CERTIFICATIONS.

CC-PG36-G	PG36
CC-PG29-G	PG29
CC-PG21-G	PG21
CC-PG16-G	PG16
CC-PG135-G	PG13.5
CC-PG11-G	PG11
CC-PG9-G	PG9
CC-PG7-G	PG7
CATALOG NUMBER	SIZE

CC-IS032-G	IS032
CC-IS025-G	IS025
CC-IS020-G	IS020
CC-IS016-G	IS016
CATALOG NUMBER	SIZE

CC-NPT1-B	1"
CC-NPT1-G	1"
CC-NPT34-B	3/4"
CC-NPT34-G	3/4"
CC-NPT12-B	1/2"
CC-NPT12-G	1/2"
CC-NPT38-B	3/8"
CC-NPT38-G	3/8"
CATALOG NUMBER	SIZE

GENERAL NOTES		Thomas & Betts A Member of the ABB Group			
1. ALL DIMENSIONS ARE FOR REFERENCE ONLY. 2. DIMENSIONS IN BRACKETS [] ARE IN METRIC UNITS.					
REVISIONS		DESCRIPTION:			
2 SEE ERN 2016115 FOR APPROVAL SIGNATURES & RELEASE DATE. PROJECT NO: RM401887		NON-METALLIC NPT THREAD CABLE GLAND			
		ORIGINAL PROJECT NO / (ERN NO)	SHEET NO:	REV. NO:	DRAWING NO:
		RM401810 / (2002527)	1 OF 2	2	WSD-000004

CC-PG36-G	GRAY	1.260	.867	2.086	PG36	.512	UL, cCSAus	DRY LOCATION
CC-PG29-G	GRAY	.984	.709	1.653	PG29	.433	cULus, cCSAus	LIQUID-TIGHT
CC-PG21-G	GRAY	.709	.511	1.300	PG21	.433	UL, cCSAus	DRY LOCATION
CC-PG16-G	GRAY	.551	.394	1.063	PG16	.394	cULus, cCSAus	LIQUID-TIGHT
CC-PG135-G	GRAY	.473	.236	.945	PG13.5	.354	UL, cCSAus	DRY LOCATION
CC-PG11-G	GRAY	.394	.197	.866	PG11	.315	cURus, cCSAus	LIQUID-TIGHT
CC-PG9-G	GRAY	.315	.157	.748	PG9	.315	UR, cCSAus	DRY LOCATION
CC-PG7-G	GRAY	.256	.118	.590	PG7	.315	UR, cCSAus	DRY LOCATION
CC-ISO32-G	GRAY	.984	.709	1.653	ISO32	.590	cULus, cCSAus	LIQUID-TIGHT
CC-ISO25-G	GRAY	.709	.511	1.300	ISO25	.590	UL, cCSAus	LIQUID-TIGHT
CC-ISO20-G	GRAY	.473	.236	.945	ISO20	.394	UL, cCSAus	DRY LOCATION
CC-ISO16-G	GRAY	.394	.197	.866	ISO16	.394	cURus, cCSAus	LIQUID-TIGHT
CC-NPT1-B	BLACK	.984	.709	1.654	1-11 1/2 NPT	.790	cULus, cCSAus	LIQUID-TIGHT
CC-NPT1-G	GRAY	.984	.709	1.654	1-11 1/2 NPT	.790	cULus, cCSAus	LIQUID-TIGHT
CC-NPT34-B	BLACK	.709	.511	1.299	3/4-14 NPT	.590	UL, cCSAus	DRY LOCATION
CC-NPT34-G	GRAY	.709	.511	1.299	3/4-14 NPT	.590	UL, cCSAus	DRY LOCATION
CC-NPT12-B	BLACK	.551	.394	1.063	1/2-14 NPT	.590	cULus, cCSAus	DRY LOCATION
CC-NPT12-G	GRAY	.551	.394	1.063	1/2-14 NPT	.590	cULus, cCSAus	DRY LOCATION
CC-NPT38-B	BLACK	.394	.197	.866	3/8-18 NPT	.590	cULus, cCSAus	LIQUID-TIGHT
CC-NPT38-G	GRAY	.394	.197	.866	3/8-18 NPT	.590	cULus, cCSAus	LIQUID-TIGHT
CATALOG NUMBER	COLOR	MAXIMUM	MINIMUM	ACROSS FLATS	THREAD	THREAD LENGTH	AGENCY	CONDITIONS OF USE
		CLAMPING RANGE						

www.tnb.com		Thomas & Betts A Member of the ABB Group	
DESCRIPTION: NON-METALLIC NPT THREAD CABLE GLAND			
SHEET NO: 2 OF 2		REV. NO: 2	DRAWING NO: WSD-000004