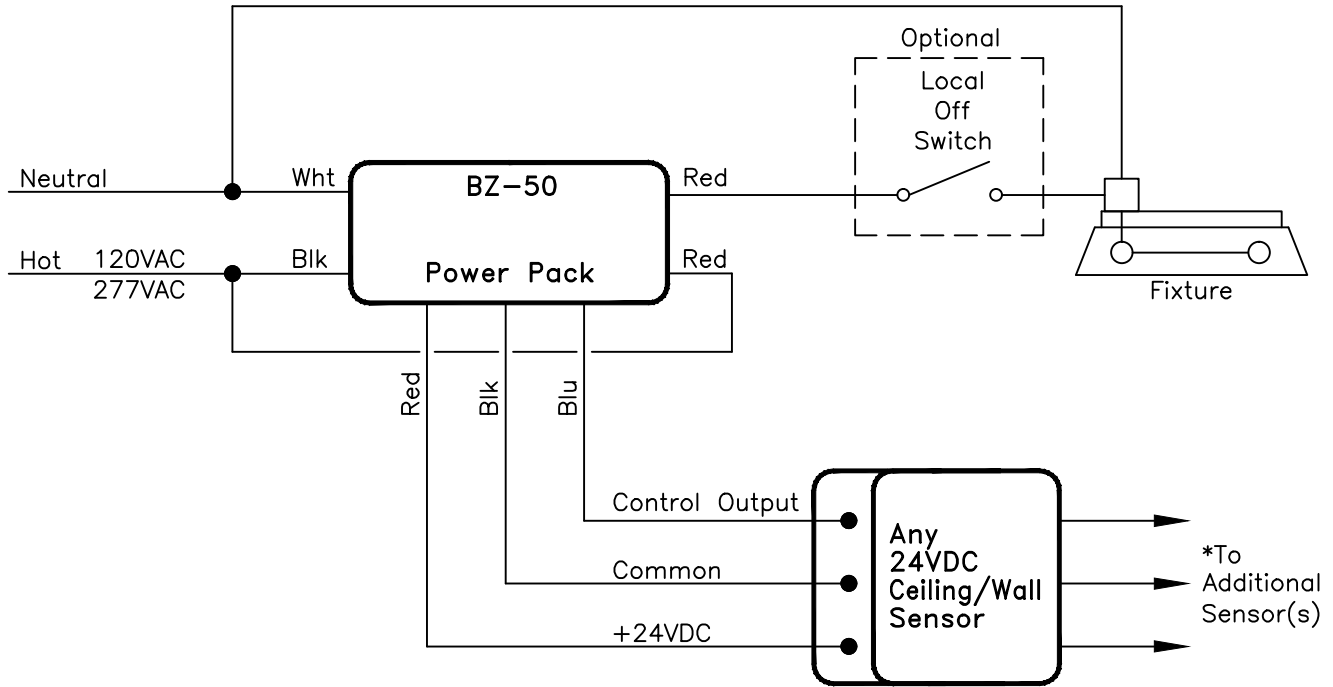


One BZ-50 Power Pack and Sensor(s)



\* At least 3 Sensors can be powered by the power pack. See Sensor data sheet.

<b>Watt Stopper/Legrand</b> 800-879-8585			
<b>Title</b> One BZ-50 Power Pack and Sensor(s)			
<b>Scale</b>	<b>Drawing#</b>	<b>Date</b>	<b>Rev.</b>
None	57-003	08/06/15	4