

General Accessories

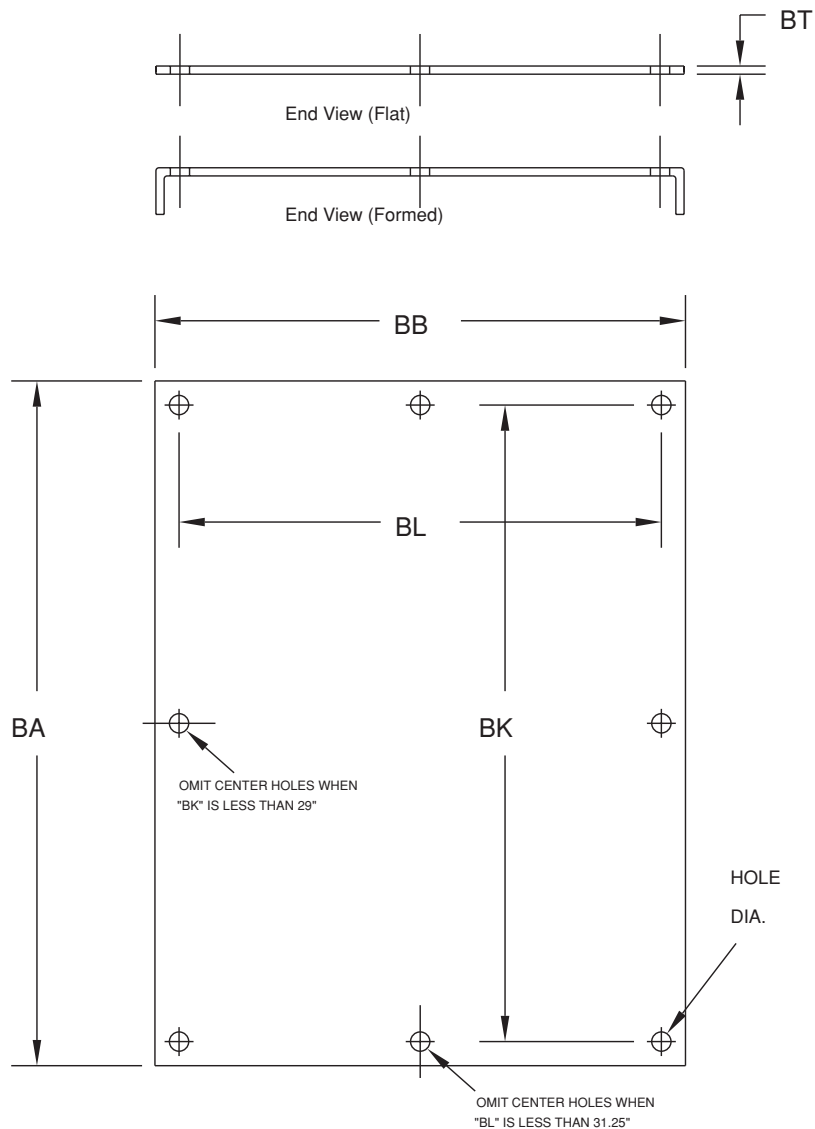
Back Panels



Back Panels

| CATALOG SUFFIX | MATERIAL | GRADE | FINISH | MISC. |
|----------------|-----------------|-----------|----------------------|---------|
| AL | Aluminum | 3003 H14 | None | |
| SS | Stainless Steel | 304 | None | |
| FG | Fiberglass | | | UL94-V0 |
| CS | Carbon Steel | 1008/1010 | Painted White Enamel | |

Note: Available for all product families unless otherwise specified



Enclosure Specific Accessories

Typical Series Designators: DS, J, JCC, RJ, CL, PC, F Back Panel Dimensions

| SIZE ID NUMBER | BA | BB | BK | BL | BT (AL) | BT (FG) | BT (SS) | BT (CS) | PANEL TYPE | HOLE DIA. | # OF HOLES | Weight (Aluminum) Suffix: AL | Weight (Fiberglass) Suffix: FG | Weight (Stainless) Suffix: SS | Weight (Carbon Steel) Suffix: CS |
|----------------|----------------|----------------|----------------|----------------|-------------|-------------|-------------|-------------|------------|------------|------------|---------------------------------|-----------------------------------|----------------------------------|-------------------------------------|
| BP64 | 4.88 (124) | 2.88 (73) | 4.25 (108) | 2.25 (57) | .080 (2) | .125 (3) | .060 (2) | .075 (2) | Flat | .25 (6) | 4 | 2 oz. | 2 oz. | 5 oz. | 6 oz. |
| BP66 | 4.88 (124) | 4.88 (124) | 4.25 (108) | 4.25 (108) | .080 (2) | .125 (3) | .060 (2) | .075 (2) | Flat | .25 (6) | 4 | 3 oz. | 3 oz. | 6 oz. | 8 oz. |
| BP76 | 6 (152) | 4.88 (124) | 5.38 (137) | 4.25 (108) | .080 (2) | .125 (3) | .060 (2) | .075 (2) | Flat | .25 (6) | 4 | 4 oz. | 4 oz. | 9 oz. | 10 oz. |
| BP86 | 6.88 (175) | 4.88 (124) | 6.25 (159) | 4.25 (108) | .080 (2) | .125 (3) | .060 (2) | .075 (2) | Flat | .25 (6) | 4 | 4 oz. | 4 oz. | 12 oz. | 12 oz. |
| BP88 | 6.88 (175) | 6.88 (175) | 6.25 (159) | 6.25 (159) | .080 (2) | .125 (3) | .060 (2) | .075 (2) | Flat | .25 (6) | 4 | 5 oz. | 5 oz. | 15 oz. | 15 oz. |
| BP96 | 8.25 (210) | 4.88 (124) | 7.63 (194) | 4.25 (108) | .080 (2) | .125 (3) | .060 (2) | .075 (2) | Flat | .25 (6) | 4 | 5 oz. | 5 oz. | 12 oz. | 14 oz. |
| BP108 | 8.88 (225) | 6.88 (175) | 8.25 (210) | 6.25 (159) | .080 (2) | .125 (3) | .060 (2) | .075 (2) | Flat | .25 (6) | 4 | 8 oz. | 8 oz. | 1.2 lb. | 1.3 lb. |
| BP1210 | 10.88 (276) | 8.88 (225) | 10.25 (260) | 8.25 (210) | .080 (2) | .125 (3) | .060 (2) | .075 (2) | Flat | .25 (6) | 4 | 12 oz. | 14 oz. | 1.9 lb. | 2.1 lb. |
| BP1212 | 10.88 (276) | 10.88 (276) | 10.25 (260) | 10.25 (260) | .080 (2) | .125 (3) | .060 (2) | .075 (2) | Flat | .25 (6) | 4 | 1 lb. | 1.1 lb. | 2.3 lb. | 2.4 lb. |
| BP1407 | 12.88 (327) | 5.88 (149) | 12.25 (311) | 5.25 (133) | .080 (2) | .125 (3) | .060 (2) | .075 (2) | Flat | .25 (6) | 4 | 14 oz. | 14 oz. | 2 lb. | 2.1 lb. |
| BP1412 | 12.88 (327) | 10.88 (276) | 12.25 (311) | 10.25 (260) | .080 (2) | .125 (3) | .060 (2) | .075 (2) | Flat | .25 (6) | 4 | 1.125 lb. | 1.3 lb. | 2.8 lb. | 3 lb. |
| BP1614 | 14.88 (378) | 12.88 (327) | 14.25 (362) | 12.25 (311) | .080 (2) | .125 (3) | .060 (2) | .075 (2) | Flat | .25 (6) | 4 | 1.5 lb. | 1.4 lb. | 3.8 lb. | 4.1 lb. |
| BP1816 | 16.88 (429) | 14.88 (378) | 16.25 (413) | 14.25 (362) | .080 (2) | .125 (3) | .060 (2) | .075 (2) | Flat | .25 (6) | 4 | 1.94 lb. | 2 lb. | 5.5 lb. | 5.4 lb. |
| BPJ2016 | 18.88 (479) | 14.88 (378) | 18.25 (463) | 14.25 (362) | .080 (2) | .125 (3) | .060 (2) | .075 (2) | Flat | .25 (6) | 4 | 2.25 lb. | 2.1 lb. | 6.1 lb. | 6.1 lb. |

Caution: Metric units are for reference do not convert.

Note: When specifying combine Size ID Number and Material Suffix

Example: BP64SS for 6x4 Stainless Steel Back Panel

Typical Series Designators: C - Disconnect Back Panel Dimensions

| SIZE ID NUMBER | BA | BB | BK | BL | Panel Thickness BT | Panel Type | Hole Dia. | # of Holes | Weight (Steel) (suffix: CS) | Fits Typical Enclosure Size |
|----------------|----------------|----------------|----------------|----------------|-----------------------|------------|--------------|------------|--------------------------------|------------------------------|
| BP2016CD | 16.88 (429) | 13.38 (340) | 15.25 (387) | 11.25 (286) | 0.13 (2) | Formed | 0.31 (8) | 4 | 7.3 lbs. | 20 x 16 Disconnect Enclosure |
| BP2412CD | 20.88 (530) | 9.38 (238) | 19.25 (489) | 7.25 (184) | 0.13 (2) | Formed | 0.50 (13) | 4 | 6.5 lbs. | 24 x 12 Disconnect Enclosure |
| BP2424CD | 20.88 (530) | 21.38 (543) | 19.25 (489) | 19.25 (489) | 0.13 (2) | Formed | 0.50 (13) | 4 | 14 lbs. | 24 x 24 Disconnect Enclosure |
| BP3024CD | 26.88 (683) | 21.38 (543) | 25.25 (641) | 19.25 (489) | 0.13 (2) | Formed | 0.50 (13) | 4 | 19 lbs. | 30 x 24 Disconnect Enclosure |
| BP3630CD | 32.88 (835) | 27.38 (695) | 31.25 (794) | 25.25 (641) | 0.13 (2) | Formed | 0.50 (13) | 6 | 29 lbs. | 36 x 30 Disconnect Enclosure |

Caution: Metric units are for reference do not convert.

Note: Carbon Steel (CS) available only

General Accessories

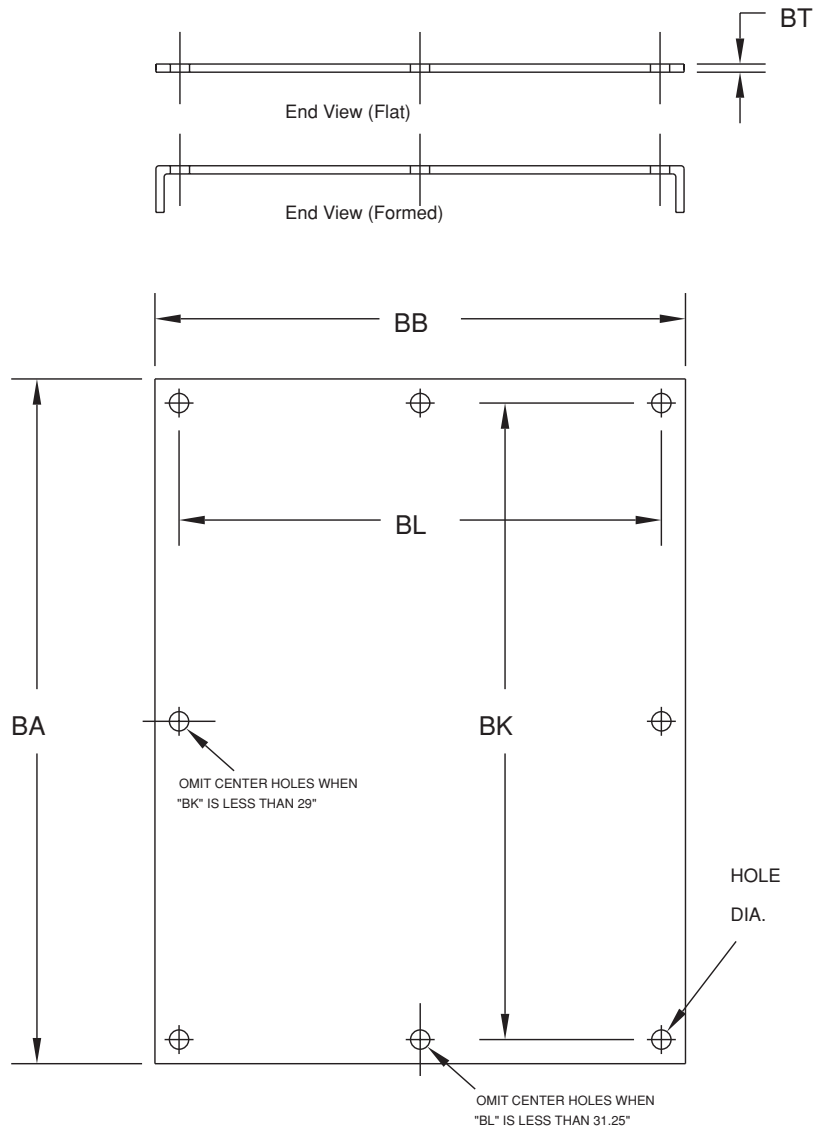
Back Panels



Back Panels

| CATALOG SUFFIX | MATERIAL | GRADE | FINISH | MISC. |
|----------------|-----------------|-----------|----------------------|---------|
| AL | Aluminum | 3003 H14 | None | |
| SS | Stainless Steel | 304 | None | |
| FG | Fiberglass | | | UL94-V0 |
| CS | Carbon Steel | 1008/1010 | Painted White Enamel | |

Note: Available for all product families unless otherwise specified



Enclosure Specific Accessories

Typical Series Designators: DS, J, JCC, RJ, CL, PC, F Back Panel Dimensions

| SIZE ID NUMBER | BA | BB | BK | BL | BT (AL) | BT (FG) | BT (SS) | BT (CS) | PANEL TYPE | HOLE DIA. | # OF HOLES | Weight (Aluminum) Suffix: AL | Weight (Fiberglass) Suffix: FG | Weight (Stainless) Suffix: SS | Weight (Carbon Steel) Suffix: CS |
|----------------|----------------|----------------|----------------|----------------|-------------|-------------|-------------|-------------|------------|------------|------------|---------------------------------|-----------------------------------|----------------------------------|-------------------------------------|
| BP64 | 4.88 (124) | 2.88 (73) | 4.25 (108) | 2.25 (57) | .080 (2) | .125 (3) | .060 (2) | .075 (2) | Flat | .25 (6) | 4 | 2 oz. | 2 oz. | 5 oz. | 6 oz. |
| BP66 | 4.88 (124) | 4.88 (124) | 4.25 (108) | 4.25 (108) | .080 (2) | .125 (3) | .060 (2) | .075 (2) | Flat | .25 (6) | 4 | 3 oz. | 3 oz. | 6 oz. | 8 oz. |
| BP76 | 6 (152) | 4.88 (124) | 5.38 (137) | 4.25 (108) | .080 (2) | .125 (3) | .060 (2) | .075 (2) | Flat | .25 (6) | 4 | 4 oz. | 4 oz. | 9 oz. | 10 oz. |
| BP86 | 6.88 (175) | 4.88 (124) | 6.25 (159) | 4.25 (108) | .080 (2) | .125 (3) | .060 (2) | .075 (2) | Flat | .25 (6) | 4 | 4 oz. | 4 oz. | 12 oz. | 12 oz. |
| BP88 | 6.88 (175) | 6.88 (175) | 6.25 (159) | 6.25 (159) | .080 (2) | .125 (3) | .060 (2) | .075 (2) | Flat | .25 (6) | 4 | 5 oz. | 5 oz. | 15 oz. | 15 oz. |
| BP96 | 8.25 (210) | 4.88 (124) | 7.63 (194) | 4.25 (108) | .080 (2) | .125 (3) | .060 (2) | .075 (2) | Flat | .25 (6) | 4 | 5 oz. | 5 oz. | 12 oz. | 14 oz. |
| BP108 | 8.88 (225) | 6.88 (175) | 8.25 (210) | 6.25 (159) | .080 (2) | .125 (3) | .060 (2) | .075 (2) | Flat | .25 (6) | 4 | 8 oz. | 8 oz. | 1.2 lb. | 1.3 lb. |
| BP1210 | 10.88 (276) | 8.88 (225) | 10.25 (260) | 8.25 (210) | .080 (2) | .125 (3) | .060 (2) | .075 (2) | Flat | .25 (6) | 4 | 12 oz. | 14 oz. | 1.9 lb. | 2.1 lb. |
| BP1212 | 10.88 (276) | 10.88 (276) | 10.25 (260) | 10.25 (260) | .080 (2) | .125 (3) | .060 (2) | .075 (2) | Flat | .25 (6) | 4 | 1 lb. | 1.1 lb. | 2.3 lb. | 2.4 lb. |
| BP1407 | 12.88 (327) | 5.88 (149) | 12.25 (311) | 5.25 (133) | .080 (2) | .125 (3) | .060 (2) | .075 (2) | Flat | .25 (6) | 4 | 14 oz. | 14 oz. | 2 lb. | 2.1 lb. |
| BP1412 | 12.88 (327) | 10.88 (276) | 12.25 (311) | 10.25 (260) | .080 (2) | .125 (3) | .060 (2) | .075 (2) | Flat | .25 (6) | 4 | 1.125 lb. | 1.3 lb. | 2.8 lb. | 3 lb. |
| BP1614 | 14.88 (378) | 12.88 (327) | 14.25 (362) | 12.25 (311) | .080 (2) | .125 (3) | .060 (2) | .075 (2) | Flat | .25 (6) | 4 | 1.5 lb. | 1.4 lb. | 3.8 lb. | 4.1 lb. |
| BP1816 | 16.88 (429) | 14.88 (378) | 16.25 (413) | 14.25 (362) | .080 (2) | .125 (3) | .060 (2) | .075 (2) | Flat | .25 (6) | 4 | 1.94 lb. | 2 lb. | 5.5 lb. | 5.4 lb. |
| BPJ2016 | 18.88 (479) | 14.88 (378) | 18.25 (463) | 14.25 (362) | .080 (2) | .125 (3) | .060 (2) | .075 (2) | Flat | .25 (6) | 4 | 2.25 lb. | 2.1 lb. | 6.1 lb. | 6.1 lb. |

Caution: Metric units are for reference do not convert.

Note: When specifying combine Size ID Number and Material Suffix

Example: BP64SS for 6x4 Stainless Steel Back Panel

Typical Series Designators: C - Disconnect Back Panel Dimensions

| SIZE ID NUMBER | BA | BB | BK | BL | Panel Thickness BT | Panel Type | Hole Dia. | # of Holes | Weight (Steel) (suffix: CS) | Fits Typical Enclosure Size |
|----------------|----------------|----------------|----------------|----------------|-----------------------|------------|--------------|------------|--------------------------------|------------------------------|
| BP2016CD | 16.88 (429) | 13.38 (340) | 15.25 (387) | 11.25 (286) | 0.13 (2) | Formed | 0.31 (8) | 4 | 7.3 lbs. | 20 x 16 Disconnect Enclosure |
| BP2412CD | 20.88 (530) | 9.38 (238) | 19.25 (489) | 7.25 (184) | 0.13 (2) | Formed | 0.50 (13) | 4 | 6.5 lbs. | 24 x 12 Disconnect Enclosure |
| BP2424CD | 20.88 (530) | 21.38 (543) | 19.25 (489) | 19.25 (489) | 0.13 (2) | Formed | 0.50 (13) | 4 | 14 lbs. | 24 x 24 Disconnect Enclosure |
| BP3024CD | 26.88 (683) | 21.38 (543) | 25.25 (641) | 19.25 (489) | 0.13 (2) | Formed | 0.50 (13) | 4 | 19 lbs. | 30 x 24 Disconnect Enclosure |
| BP3630CD | 32.88 (835) | 27.38 (695) | 31.25 (794) | 25.25 (641) | 0.13 (2) | Formed | 0.50 (13) | 6 | 29 lbs. | 36 x 30 Disconnect Enclosure |

Caution: Metric units are for reference do not convert.

Note: Carbon Steel (CS) available only