

Panel Mounted Fuse Holders for 1/4" x 1 1/4" Fuses

HKP, HKP-L, HKP-W

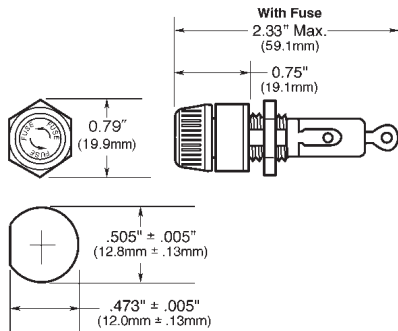


Specifications
 Description: Standard fuse holders.
 Dimensions: See Dimensions illustration.
 Ratings:
 Volts: — 250V
 Amps: — 30A

Catalog Numbers

Catalog Numbers	Fuse Description
HKP	—
HKP-L	HKP w/ 2250V stand-off barrier
HKP-W	HKP w/ drip-proof knob

Dimensions - in (mm)



Data Sheet: 2106

HKP-BBHH, HKP-HH and HKP-LW-HH

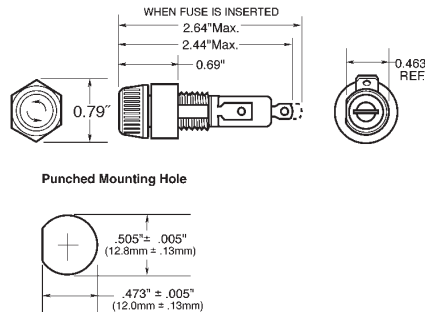


Specifications
 Description: Fuse holders with 1/4" quick-connects.
 Dimensions: See Dimensions illustration.
 Ratings:
 Volts: — 250V
 Amps: — 15A

Catalog Numbers

Catalog Numbers	Fuse Description
HKP-BBHH	HKP w/ 1/4" quick-connects, nut and washer assembled.
HKP-HH	HKP w/ 1/4" quick-connect.
HKP-LW-HH	HKP w/ drip-proof knob, 2250V stand-off barrier and 1/4" quick-connects.

Dimensions - in (mm)



Data Sheet: 2106

HKP-OO

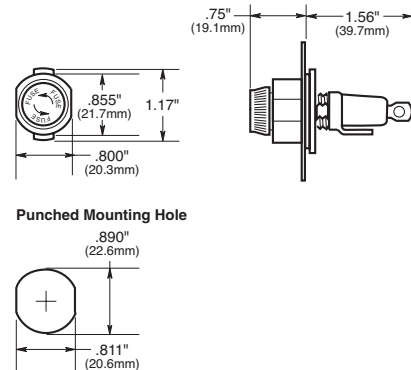


Specifications
 Description: Snap-lock fuse holders.
 Dimensions: See Dimensions illustration.
 Ratings:
 Volts: — 250V
 Amps: — 30A

Catalog Numbers

Catalog Number	Fuse Description
HKP-OO	HKP with snap-lock

Dimensions - in (mm)



Data Sheet: 2106

Specifications

- Terminals: Bayonet-type knob.
Vibration resistant.
For panels up to 5/16" (7.9mm) thick.
- Agency Information: CE (HKP, HKP-L, HKP-W, HKP-OO), UL Recognized — Guide IZLT2, File E14853, CSA Certified — Class 6225-01, File 47235
- Replacement Parts: Cap: 9435-1/2
Plastic Nut: BK/1A4287 (100 pieces minimum)
Metal Nut: BK/1A4806-2 (100 pieces minimum)
Washer: 9732