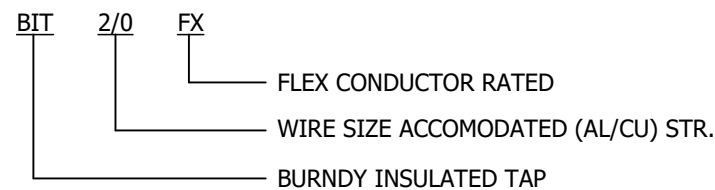
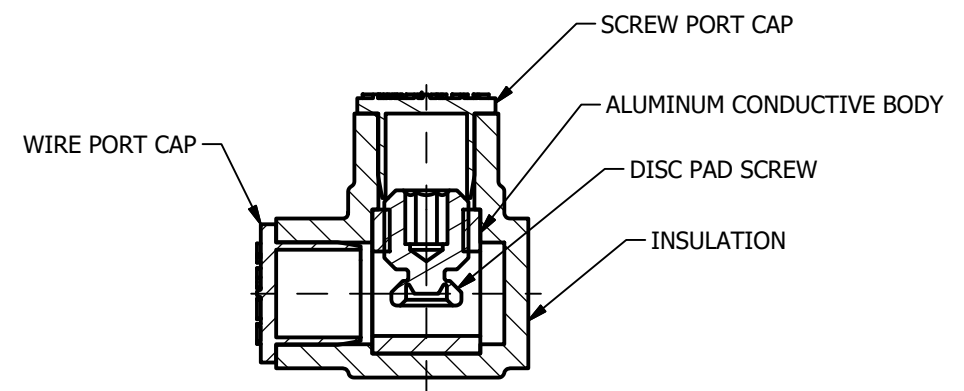
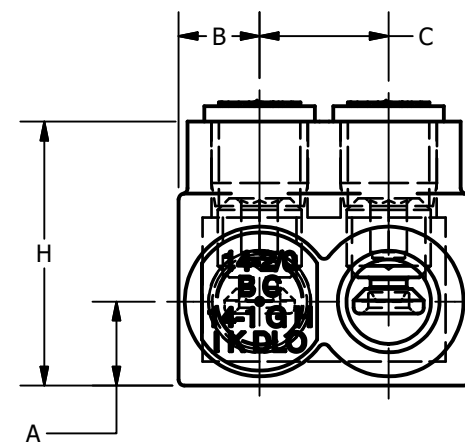
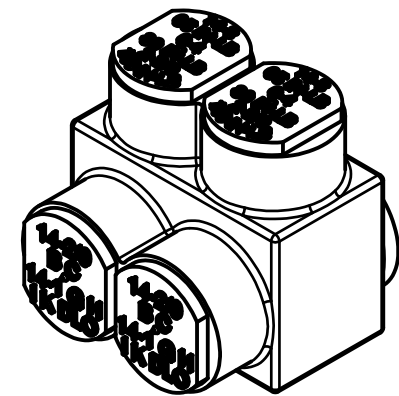
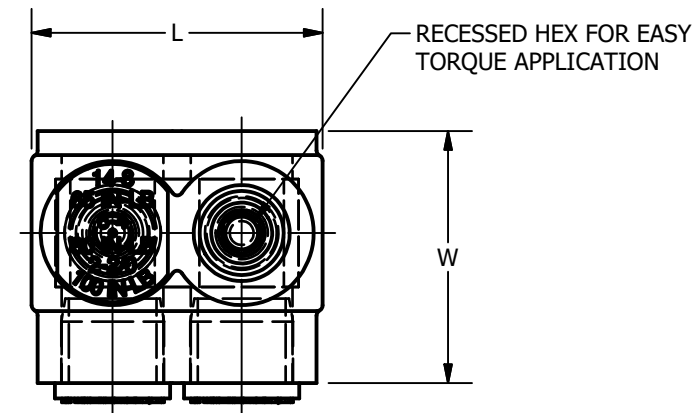


CATALOG NUMBER	ITEM NUMBER	WIRE RANGE	L	W	H	A	B	C	HEX KEY	STRIP LENGTH +/-1/32	TORQUE, IN-LBS		COLOR CODE	AMP RATING
											#14-#8 AL	#14-#8 CU		
BIT4FX	50046814	#14-#4 CLASS B, C #14-#6 CLASS	1.08	1.13	1.25	.44	.32	.44	1/8	9/16	#14-#8 AL 10 #14-#8 CU 25 #6-#4 30		BROWN	85
BIT2/0FX	50046821	#14-2/0 CLASS B, C #14-#1 CLASS	1.52	1.31	1.38	.44	.42	.67	3/16	5/8	#14-#6 80 #4-2/0 100		BLACK	175
BIT250FX	50046831	#10-250 CLASS B, C #10-3/0 CLASS	2.03	2.13	2.13	.58	.55	.94	5/16	15/16	#10-#1 180 1/0-250 300 #10-4/0 220		YELLOW	255
BIT350FX	50046841	#10-350 CLASS B, C #10-250 CLASS	2.22	2.38	2.50	.69	.66	.91	5/16	1-1/16	250-300 450		RED	310
BIT600FX	50046851	#4-600 CLASS B, C #4-373 CLASS	2.75	2.38	2.75	.81	.72	1.28	3/8	1-1/16	375		GREEN	420
BIT750FX	50046861	#2-750 CLASS B, C #2-535 CLASS	2.88	2.75	3.00	.90	.75	1.38	3/8	1-7/16	375		BLACK	475

REV	DATE	DESCRIPTION	ECO	BY	C'H'K.
E	04/07/2020	UPDATED SHEET TABLES	53308	JL	TR



- LISTED TO 486A-B, FILE E9498
- CERTIFIED TO C22.2, NO. 65, FILE 042860_C_000

NOTES:

- DIMENSIONS IN BRACKETS [] ARE IN MILLIMETERS ROUNDED OFF TO THE NEAREST MILLIMETER, UNLESS OTHERWISE SPECIFIED AND ARE FOR REFERENCE ONLY.
- THIS DRAWING TO BE INTERPRETED PER ASME Y14.5M-2009.
- MATERIAL: BODY - TIN PLATED ALUMINUM
SCREW - CLEAR COATED ALUMINUM
INSULATION - PLASTISOL
CAPS - POLYETHOLENE
- OPERATING TEMPERATURE - -40°C TO 135°C.
- VOLTAGE RATING - 600 V.

- 6 AMPERAGE RATING - SEE TABLE.
- 7 NOT UL LISTED OR CSA CERTIFIED.

FEATURES	BENEFITS
PLASTISOL COVERED AL 6060-T6 BODY	SAVES TIME, LOWERS INSTALLATION COST, ELIMINATES TAPING
CLEAR PLASTISOL	ALLOWS VISUAL CONFIRMATION THAT CONDUCTOR IS PROPERLY INSERTED
OXIDE-INHIBITOR IS PREFILLED	INHIBITS MOISTURE AND CONTAMINANTS FROM ENTERING THE CONTACT AREA
RANGE-TAKING IN BOTH CODE AND FLEX	REDUCES THE NUMBER OF CONNECTORS CARRIED IN INVENTORY
WIRE AND SCREW PORT COVERS	PROTECTS AGAINST CONTAMINATION AND ACCIDENTAL CONTACT OF ENERGIZED PARTS.
WIRE RANGE AND TORQUE REQUIREMENTS PRINTED ONTO THE CAPS	ALLOWS FOR EASY REFERENCE TO IMPORTANT INSTALLATION INFORMATION
UNIQUE DISC PAD SCREW	IMPROVES WIRE CONTACT AREA

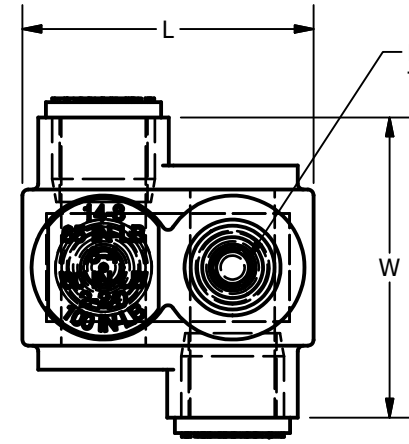
TO ORDER BURNDY® PRODUCTS CALL		FULLY INSULATED DISTRIBUTION BLOCKS-UNITAP™	
UNITED STATES 1-800-346-4175 (LONDONDERRY, NH)		ITEM NO: SEE TABLE	
CANADA: 1-800-361-6975 (QUEBEC) 1-800-387-6487 (ALL OTHER PROVINCES)		CAT. NO: SEE TABLE	
FOR PRODUCT INFO: http://www.burndy.com		DRAWN BY: T.REYNOLDS 8/14/2014	
		CHECKER: T.REYNOLDS 8/27/2014	
		DSN APRVL: T.REYNOLDS 12/20/2015	
		MFG APRVL: --	
		QA APRVL: C. KOWALCZYK 12/20/2015	
		MKT APRVL: M.BAILLY 12/20/2015	
		PROD FAM: --	
		DRAWING NO	
		50046931	
		REV	
		E	
		SHEET 1 OF 15	

CATALOG NUMBER	ITEM NUMBER	WIRE RANGE	L	W	H	A	B	C	HEX KEY	STRIP LENGTH +/-1/32	TORQUE, IN-LBS		COLOR CODE	AMP RATING
											#14-#8 AL	#14-#8 CU		
BITO4FX	50046802	#14-#4 CLASS B, C #14-#6	1.08	1.50	1.25	.44	.32	.44	1/8	9/16	#14-#8 AL 10 #14-#8 CU 25 #6-#4 30	BROWN	85	
BITO2/0FX	50046804	#14-2/0 CLASS B, C #14-#1	1.52	1.56	1.38	.44	.42	.67	3/16	5/8	#14-#6 80 #4-2/0 100	BLACK	175	
BITO250FX	50046806	#10-250 CLASS B, C #10-3/0	2.03	2.63	2.13	.58	.55	.94	5/16	15/16	#10-#1 180 1/0-250 300	YELLOW	255	
BITO350FX	50046808	#10-350 CLASS B, C #10-250	2.22	2.75	2.50	.69	.66	.91	5/16	1- 1/16	#10-4/0 220 250-300 450	RED	310	
BITO600FX	50046810	#4-600 CLASS B, C #4-373	2.75	2.75	2.75	.81	.72	1.28	3/8	1- 1/16	#4-1/0 300 2/0-4/0 350 250-600 400	GREEN	420	
BITO750FX	50046812	#2-750 CLASS B, C #2-535	2.88	3.13	3.00	.90	.75	1.38	3/8	1-7/16	#2-1/0 300 2/0-4/0 350 250-750 400	BLACK	475	

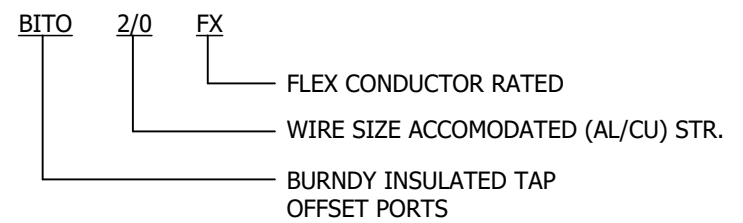
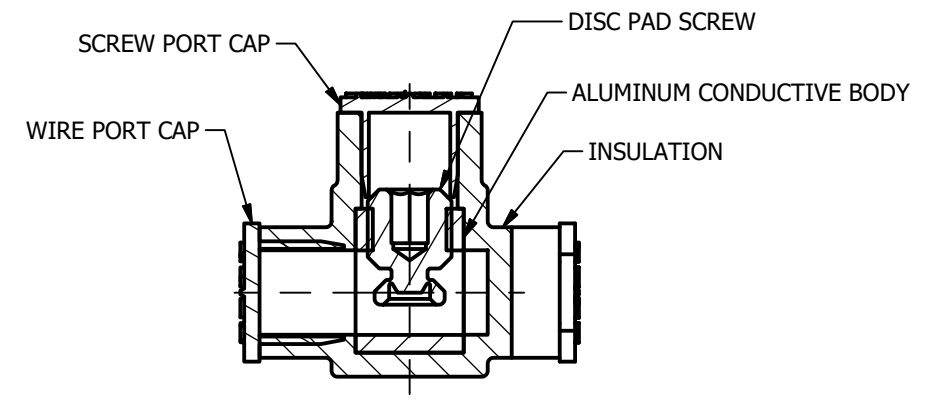
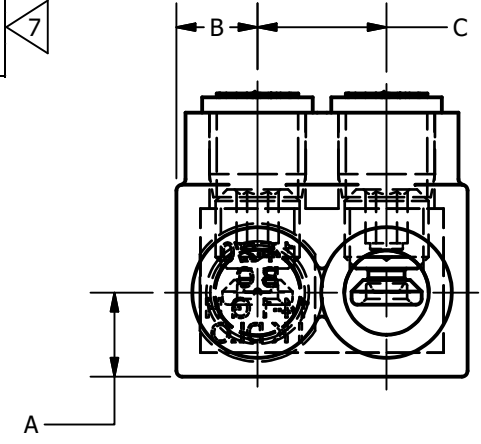
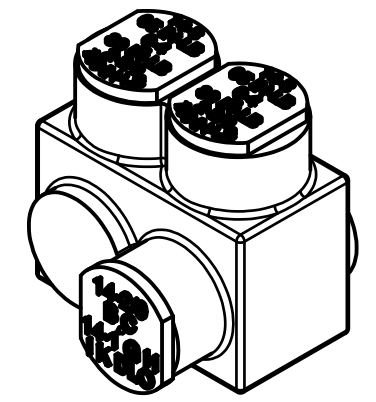
REV	DATE	DESCRIPTION	ECO	BY	C'H'K.
E	04/07/2020	UPDATED SHEET TABLES	53308	JL	TR

6

7



RECESSED HEX FOR EASY TORQUE APPLICATION



UL LISTED TO 486A-B, FILE E9498
 CS CERTIFIED TO C22.2, NO. 65, FILE 042860_C_000

NOTES:

- DIMENSIONS IN BRACKETS [] ARE IN MILLIMETERS ROUNDED OFF TO THE NEAREST MILLIMETER, UNLESS OTHERWISE SPECIFIED AND ARE FOR REFERENCE ONLY.
- THIS DRAWING TO BE INTERPRETED PER ASME Y14.5M-2009.
- MATERIAL: BODY - TIN PLATED ALUMINUM
SCREW - CLEAR COATED ALUMINUM
INSULATION - PLASTISOL
CAPS - POLYETHOLENE
- OPERATING TEMPERATURE - -40°C TO 135°C.
- VOLTAGE RATING - 600 V.
- AMPERAGE RATING - SEE TABLE.

7 NOT UL LISTED OR CSA CERTIFIED

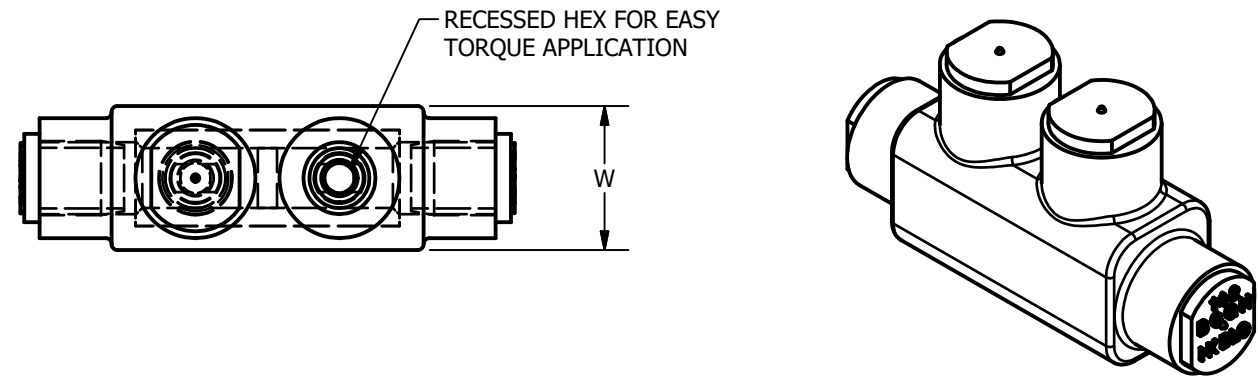
FEATURES	BENEFITS
PLASTISOL COVERED AL 6060-T6 BODY	SAVES TIME, LOWERS INSTALLATION COST, ELIMINATES TAPING
CLEAR PLASTISOL	ALLOWS VISUAL CONFIRMATION THAT CONDUCTOR IS PROPERLY INSERTED
OXIDE-INHIBITOR IS PREFILLED	INHIBITS MOISTURE AND CONTAMINANTS FROM ENTERING THE CONTACT AREA
RANGE-TAKING IN BOTH CODE AND FLEX	REDUCES THE NUMBER OF CONNECTORS CARRIED IN INVENTORY
WIRE AND SCREW PORT COVERS	PROTECTS AGAINST CONTAMINATION AND ACCIDENTAL CONTACT OF ENERGIZED PARTS.
WIRE RANGE AND TORQUE REQUIREMENTS PRINTED ONTO THE CAPS	ALLOWS FOR EASY REFERENCE TO IMPORTANT INSTALLATION INFORMATION
UNIQUE DISC PAD SCREW	IMPROVES WIRE CONTACT AREA

TO ORDER BURNDY® PRODUCTS CALL		FULLY INSULATED DISTRIBUTION BLOCKS-UNITAP™	
UNITED STATES 1-800-346-4175 (LONDONDERRY, NH)		ITEM NO: SEE TABLE	
CANADA: 1-800-361-6975 (QUEBEC) 1-800-387-6487 (ALL OTHER PROVINCES)		CAT. NO: SEE TABLE	
FOR PRODUCT INFO: http://www.burndy.com		DRAWN BY: T.REYNOLDS 8/14/2014	
		CHECKER: T.REYNOLDS 8/27/2014	
		DSN APRVL: T.REYNOLDS 12/20/2015	
		MFG APRVL: --	
		QA APRVL: C. KOWALCZYK 12/20/2015	
		MKT APRVL: M.BAILLY 12/20/2015	
		PROD FAM: --	
		DRAWING NO	
		50046931	
		REV	
		E	
		SHEET 2 OF 15	

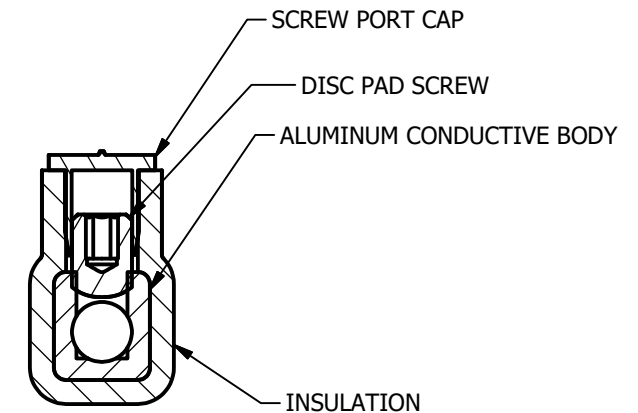
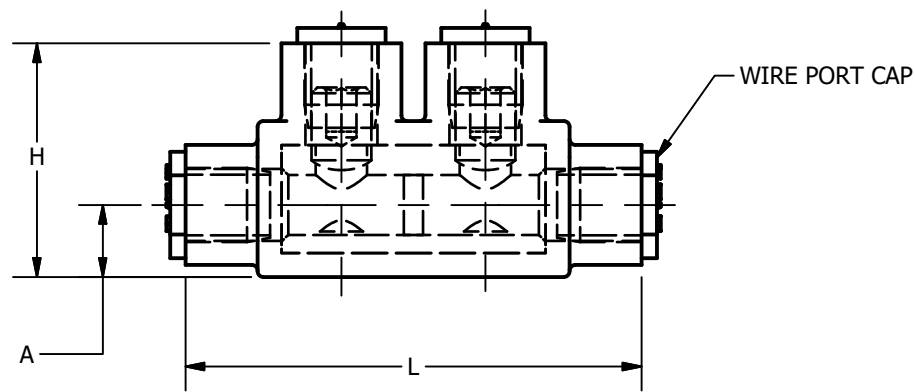
CATALOG NUMBER	ITEM NUMBER	WIRE RANGE	L	W	H	A	HEX KEY	STRIP LENGTH +/-1/32	TORQUE, IN-LBS	COLOR CODE	AMP RATING
BISR2FX	50046926	#14-#2 CLASS B, C	2.38	.75	1.22	.38	5/32	11/16	100	BROWN	115
BISR1/0FX	50046927	#14-1/0 CLASS B, C	2.91	.91	1.38	.45	3/16	15/16	120	PINK	150
BISR250FX	50046928	#10-250 CLASS B, C	4.00	1.19	2.09	.59	5/16	1-1/8	275	YELLOW	250
BISR350FX	50046929	#10-350 CLASS B, C	4.63	1.34	2.22	.67	5/16	1-3/8	275	RED	310
BISR500FX	50046930	#6-500 CLASS B, C	5.25	1.63	2.63	.81	3/8	1-5/8	375	BROWN	380

6

REV	DATE	DESCRIPTION	ECO	BY	C'H'K.
E	04/07/2020	UPDATED SHEET TABLES	53308	JL	TR

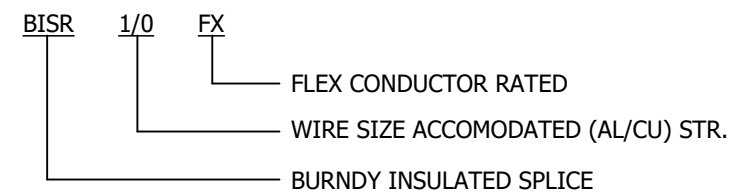


FEATURES	BENEFITS
PLASTISOL COVERED AL 6060-T6 BODY	SAVES TIME, LOWERS INSTALLATION COST, ELIMINATES TAPING
CLEAR PLASTISOL	ALLOWS VISUAL CONFIRMATION THAT CONDUCTOR IS PROPERLY INSERTED
OXIDE-INHIBITOR IS PREFILLED	INHIBITS MOISTURE AND CONTAMINANTS FROM ENTERING THE CONTACT AREA
RANGE-TAKING IN BOTH CODE AND FLEX	REDUCES THE NUMBER OF CONNECTORS CARRIED IN INVENTORY
WIRE AND SCREW PORT COVERS	PROTECTS AGAINST CONTAMINATION AND ACCIDENTAL CONTACT OF ENERGIZED PARTS.
WIRE RANGE AND TORQUE REQUIREMENTS PRINTED ONTO THE CAPS	ALLOWS FOR EASY REFERENCE TO IMPORTANT INSTALLATION INFORMATION
UNIQUE DISC PAD SCREW	IMPROVES WIRE CONTACT AREA



- NOTES:**
- DIMENSIONS IN BRACKETS [] ARE IN MILLIMETERS ROUNDED OFF TO THE NEAREST MILLIMETER, UNLESS OTHERWISE SPECIFIED AND ARE FOR REFERENCE ONLY.
 - THIS DRAWING TO BE INTERPRETED PER ASME Y14.5M-2009.
 - MATERIAL: BODY - TIN PLATED ALUMINUM
SCREW - CLEAR COATED ALUMINUM
INSULATION - PLASTISOL
CAPS - POLYETHYLENE
 - OPERATING TEMPERATURE - -40°C TO 135°C.
 - VOLTAGE RATING - 600 V.

- LISTED TO 486A-B, FILE E9498
- CERTIFIED TO C22.2, NO. 65, FILE 042860_C_000



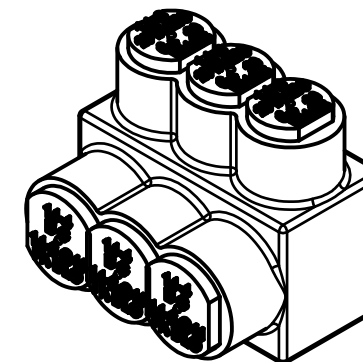
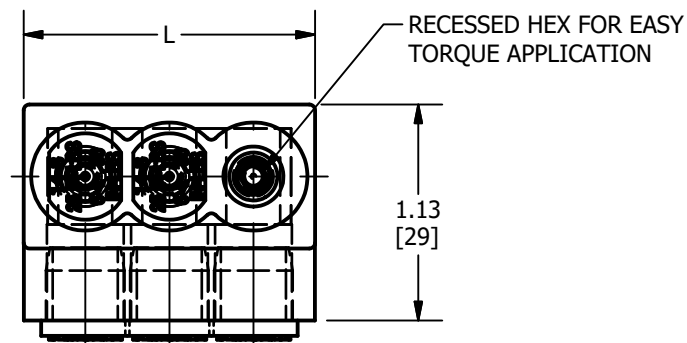
6. AMPERAGE RATING - SEE TABLE.

TO ORDER BURNDY® PRODUCTS CALL		FULLY INSULATED DISTRIBUTION BLOCKS-UNITAP™													
UNITED STATES 1-800-346-4175 (LONDONDERRY, NH)		ITEM NO: SEE TABLE													
CANADA: 1-800-361-6975 (QUEBEC) 1-800-387-6487 (ALL OTHER PROVINCES)		CAT. NO: SEE TABLE													
FOR PRODUCT INFO: http://www.burndy.com		<table border="1"> <tr> <td>DRAWN BY: T.REYNOLDS</td> <td>8/14/2014</td> </tr> <tr> <td>CHECKER: T.REYNOLDS</td> <td>8/27/2014</td> </tr> <tr> <td>DSN APRVL: T.REYNOLDS</td> <td>12/20/2015</td> </tr> <tr> <td>MFG APRVL: --</td> <td></td> </tr> <tr> <td>QA APRVL: C. KOWALCZYK</td> <td>12/20/2015</td> </tr> <tr> <td>MKT APRVL: M.BAILLY</td> <td>12/20/2015</td> </tr> </table>		DRAWN BY: T.REYNOLDS	8/14/2014	CHECKER: T.REYNOLDS	8/27/2014	DSN APRVL: T.REYNOLDS	12/20/2015	MFG APRVL: --		QA APRVL: C. KOWALCZYK	12/20/2015	MKT APRVL: M.BAILLY	12/20/2015
DRAWN BY: T.REYNOLDS	8/14/2014														
CHECKER: T.REYNOLDS	8/27/2014														
DSN APRVL: T.REYNOLDS	12/20/2015														
MFG APRVL: --															
QA APRVL: C. KOWALCZYK	12/20/2015														
MKT APRVL: M.BAILLY	12/20/2015														
<table border="1"> <tr> <td>PROD FAM: --</td> <td>DRAWING NO</td> <td>REV</td> </tr> <tr> <td>PROJECT #: LM15085</td> <td>SIZE</td> <td>50046931</td> </tr> <tr> <td>DOCUMENT TYPE: SALES</td> <td>B</td> <td>E</td> </tr> <tr> <td>REL LEVEL: Released</td> <td></td> <td>SHEET 3 OF 15</td> </tr> </table>		PROD FAM: --	DRAWING NO	REV	PROJECT #: LM15085	SIZE	50046931	DOCUMENT TYPE: SALES	B	E	REL LEVEL: Released		SHEET 3 OF 15		
PROD FAM: --	DRAWING NO	REV													
PROJECT #: LM15085	SIZE	50046931													
DOCUMENT TYPE: SALES	B	E													
REL LEVEL: Released		SHEET 3 OF 15													

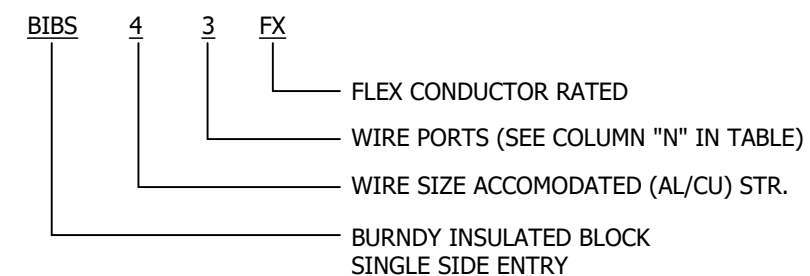
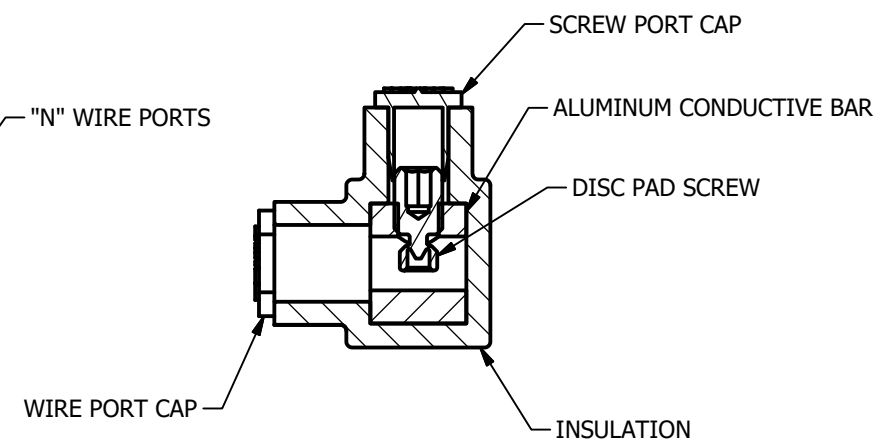
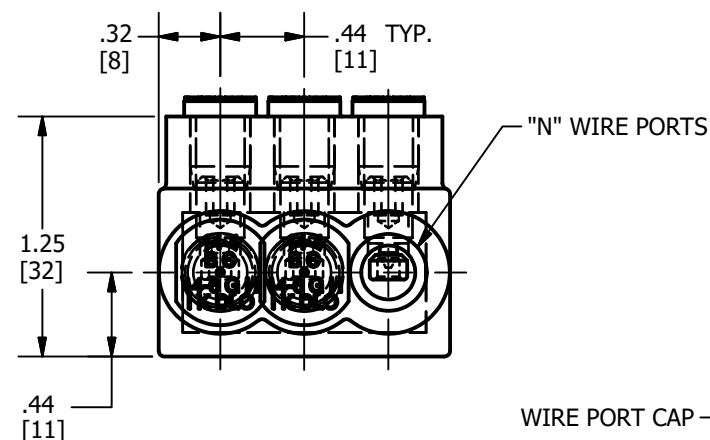
CATALOG NUMBER	ITEM NUMBER	L	N	STRIP LENGTH +/-1/32	COLOR CODE
BIBS43FX	50046815	1.268	3	9/16	BROWN
BIBS44FX	50046816	1.706	4		
BIBS45FX	50046817	2.144	5		
BIBS46FX	50046818	2.582	6		
BIBS48FX	50046819	3.458	8		

REV	DATE	DESCRIPTION	ECO	BY	C'H'K.
E	04/07/2020	UPDATED SHEET TABLES	53308	JL	TR

Wire Range	Torque, in-lbs	
#14 awg - #4 awg	#14-#8	25
	#6-#4	35



FEATURES	BENEFITS
PLASTISOL COVERED AL 6060-T6 BODY	SAVES TIME, LOWERS INSTALLATION COST, ELIMINATES TAPING
CLEAR PLASTISOL	ALLOWS VISUAL CONFIRMATION THAT CONDUCTOR IS PROPERLY INSERTED
OXIDE-INHIBITOR IS PREFILLED	INHIBITS MOISTURE AND CONTAMINANTS FROM ENTERING THE CONTACT AREA
RANGE-TAKING IN BOTH CODE AND FLEX	REDUCES THE NUMBER OF CONNECTORS CARRIED IN INVENTORY
WIRE AND SCREW PORT COVERS	PROTECTS AGAINST CONTAMINATION AND ACCIDENTAL CONTACT OF ENERGIZED PARTS.
WIRE RANGE AND TORQUE REQUIREMENTS PRINTED ONTO THE CAPS	ALLOWS FOR EASY REFERENCE TO IMPORTANT INSTALLATION INFORMATION
UNIQUE DISC PAD SCREW	IMPROVES WIRE CONTACT AREA



LISTED TO 486A-B, FILE E9498

CERTIFIED TO C22.2, NO. 65, FILE 042860_C_000

NOTES:

- DIMENSIONS IN BRACKETS [] ARE IN MILLIMETERS ROUNDED OFF TO THE NEAREST MILLIMETER, UNLESS OTHERWISE SPECIFIED AND ARE FOR REFERENCE ONLY.
- THIS DRAWING TO BE INTERPRETED PER ASME Y14.5M-2009.
- MATERIAL: BODY - TIN PLATED ALUMINUM
SCREW - CLEAR COATED ALUMINUM
INSULATION - PLASTISOL
CAPS - POLYETHOLENE
- OPERATING TEMPERATURE - -40°C TO 135°C.
- VOLTAGE RATING - 600 V.
- AMPERAGE RATING - 85 A.

TO ORDER BURNDY® PRODUCTS CALL
 UNITED STATES
 1-800-346-4175 (LONDONDERRY, NH)
 CANADA:
 1-800-361-6975 (QUEBEC)
 1-800-387-6487 (ALL OTHER PROVINCES)
 FOR PRODUCT INFO: <http://www.burndy.com>

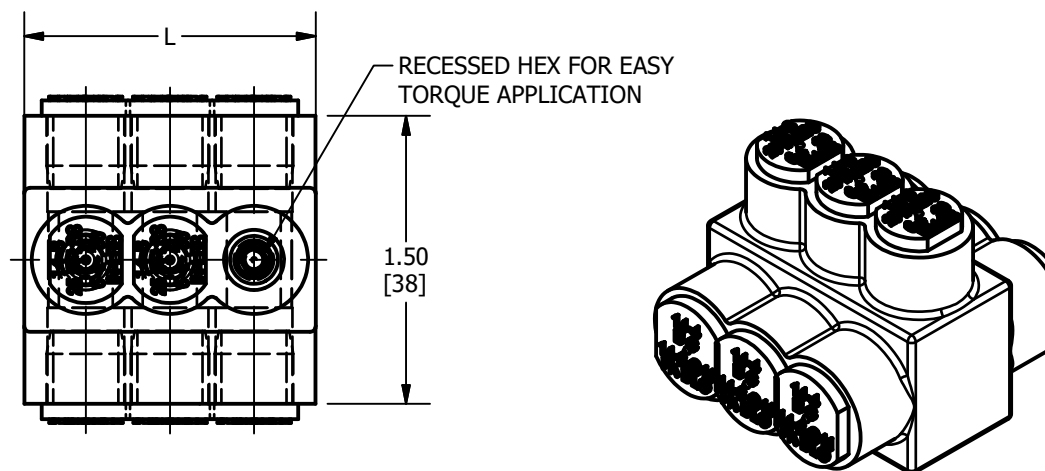
FULLY INSULATED DISTRIBUTION BLOCKS-UNITAP™	
ITEM NO: SEE TABLE	
CAT. NO: SEE TABLE	
DRAWN BY: T.REYNOLDS	8/14/2014
CHECKER: T.REYNOLDS	8/27/2014
DSN APRVL: T.REYNOLDS	12/20/2015
MFG APRVL: --	
QA APRVL: C.KOWALCZYK	12/20/2015
MKT APRVL: M.BAILLY	12/20/2015
PROD FAM: --	DRAWING NO
PROJECT #: LM15085	SIZE
DOCUMENT TYPE: SALES	50046931
REL LEVEL: Released	B
	SHEET 4 OF 15
	REV
	E



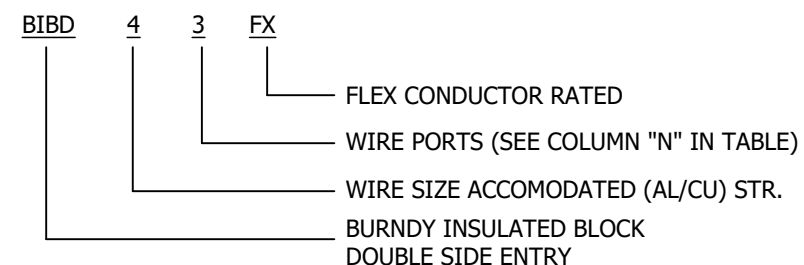
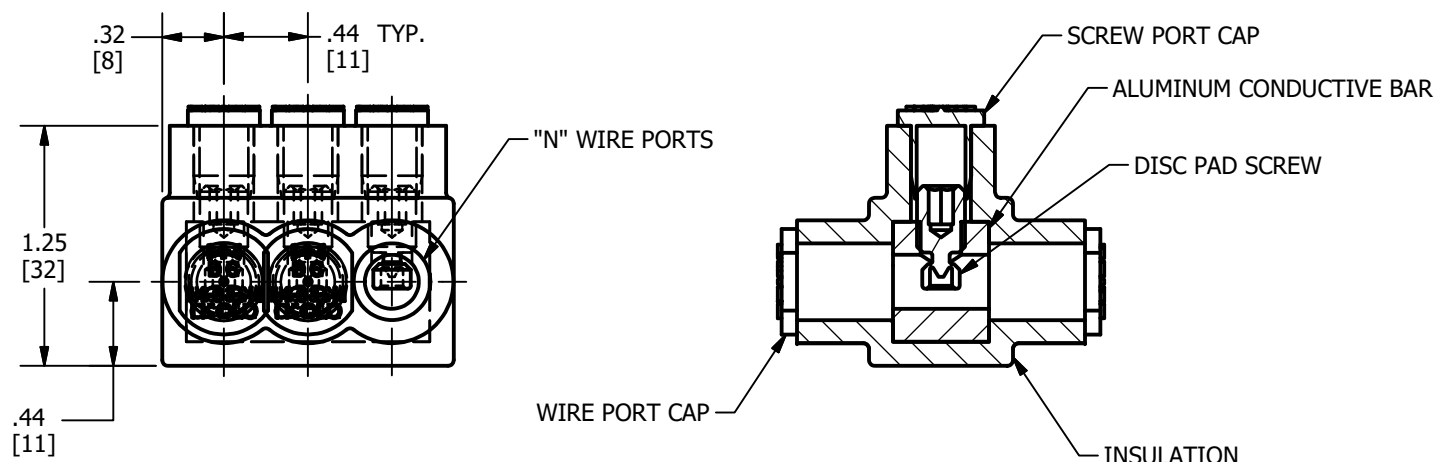
CATALOG NUMBER	ITEM NUMBER	L	N	STRIP LENGTH +/-1/32	COLOR CODE
BIBD42FX	50046870	0.83	2	9/16	BROWN
BIBD43FX	50046871	1.268	3		
BIBD44FX	50046872	1.706	4		
BIBD45FX	50046873	2.144	5		
BIBD46FX	50046874	2.582	6		
BIBD48FX	50046875	3.458	8		

Wire Range	Torque, in-lbs	
#14 awg - #4 awg	#14-#8	25
	#6-#4	35

REV	DATE	DESCRIPTION	ECO	BY	C'H'K.
E	04/07/2020	UPDATED SHEET TABLES	53308	JL	TR



FEATURES	BENEFITS
PLASTISOL COVERED AL 6060-T6 BODY	SAVES TIME, LOWERS INSTALLATION COST, ELIMINATES TAPING
CLEAR PLASTISOL	ALLOWS VISUAL CONFIRMATION THAT CONDUCTOR IS PROPERLY INSERTED
OXIDE-INHIBITOR IS PREFILLED	INHIBITS MOISTURE AND CONTAMINANTS FROM ENTERING THE CONTACT AREA
RANGE-TAKING IN BOTH CODE AND FLEX	REDUCES THE NUMBER OF CONNECTORS CARRIED IN INVENTORY
WIRE AND SCREW PORT COVERS	PROTECTS AGAINST CONTAMINATION AND ACCIDENTAL CONTACT OF ENERGIZED PARTS.
WIRE RANGE AND TORQUE REQUIREMENTS PRINTED ONTO THE CAPS	ALLOWS FOR EASY REFERENCE TO IMPORTANT INSTALLATION INFORMATION
UNIQUE DISC PAD SCREW	IMPROVES WIRE CONTACT AREA



LISTED TO 486A-B, FILE E9498

CERTIFIED TO C22.2, NO. 65, FILE 042860_C_000

NOTES:

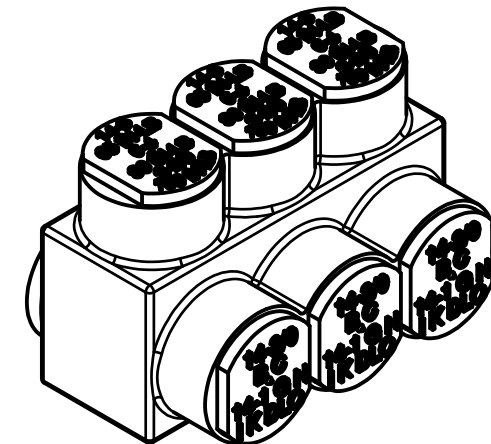
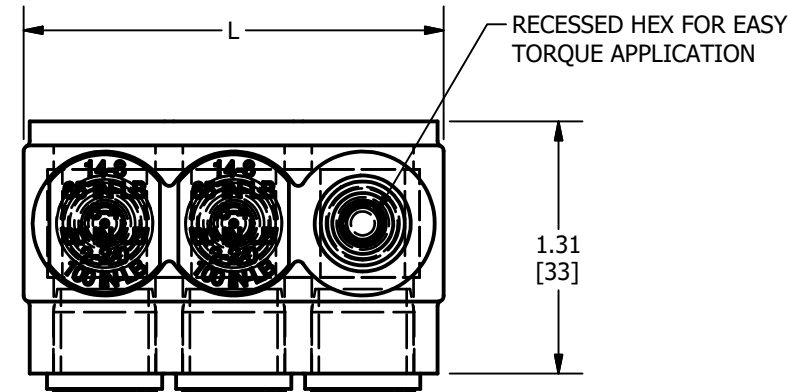
- DIMENSIONS IN BRACKETS [] ARE IN MILLIMETERS ROUNDED OFF TO THE NEAREST MILLIMETER, UNLESS OTHERWISE SPECIFIED AND ARE FOR REFERENCE ONLY.
- THIS DRAWING TO BE INTERPRETED PER ASME Y14.5M-2009.
- MATERIAL: BODY - TIN PLATED ALUMINUM
SCREW - CLEAR COATED ALUMINUM
INSULATION - PLASTISOL
CAPS - POLYETHOLENE
- OPERATING TEMPERATURE - -40°C TO 135°C.
- VOLTAGE RATING - 600 V.
- AMPERAGE RATING - 85 A.

TO ORDER BURNDY® PRODUCTS CALL		FULLY INSULATED DISTRIBUTION BLOCKS-UNITAP™	
UNITED STATES 1-800-346-4175 (LONDONDERRY, NH)		ITEM NO: SEE TABLE	
CANADA: 1-800-361-6975 (QUEBEC) 1-800-387-6487 (ALL OTHER PROVINCES)		CAT. NO: SEE TABLE	
FOR PRODUCT INFO: http://www.burndy.com		DRAWN BY: T.REYNOLDS 8/14/2014	
		CHECKER: T.REYNOLDS 8/27/2014	
		DSN APRVL: T.REYNOLDS 12/20/2015	
		MFG APRVL: --	
		QA APRVL: C.KOWALCZYK 12/20/2015	
		MKT APRVL: M.BAILLY 12/20/2015	
		PROD FAM: --	
		DRAWING NO	
		50046931	
		REV	
		E	
		SHEET 5 OF 15	

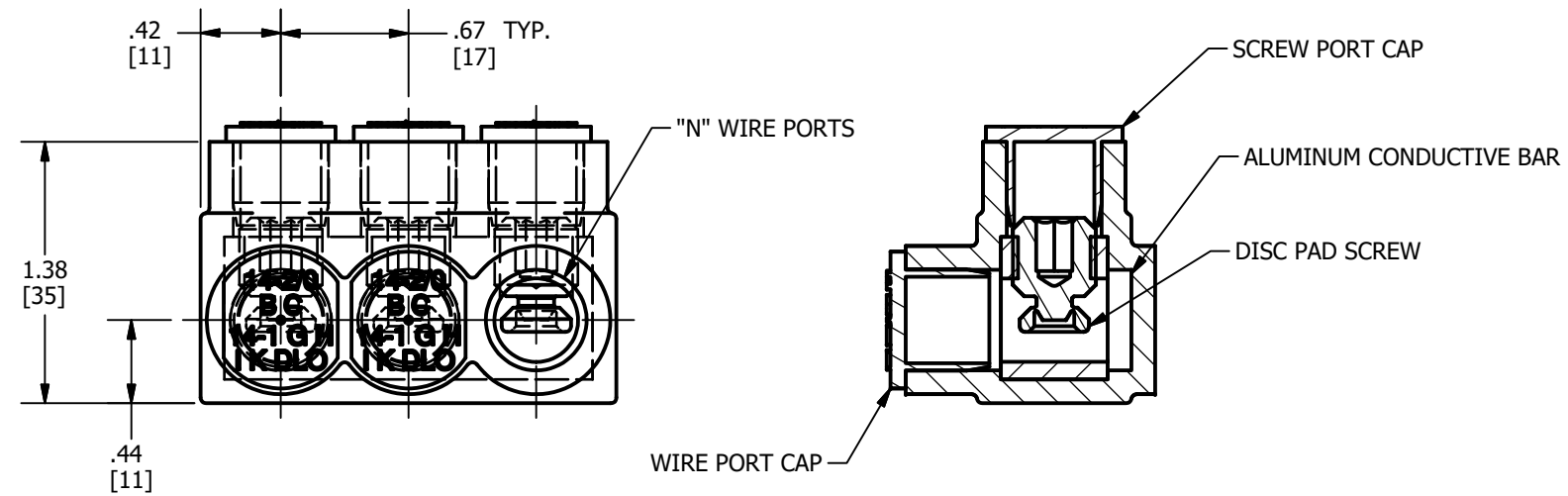
CATALOG NUMBER	ITEM NUMBER	L	N	STRIP LENGTH +/--1/32	COLOR CODE
BIBS2/03FX	50046822	1.938	3	5/8	BLACK
BIBS2/04FX	50046823	2.610	4		
BIBS2/05FX	50046824	3.282	5		
BIBS2/06FX	50046825	3.954	6		
BIBS2/08FX	50046826	5.298	8		
BIBS2/010FX	50046827	6.642	10		
BIBS2/012FX	50046828	7.986	12		
BIBS2/014FX	50046829	9.330	14		

Wire Range	Torque, in-lbs	
#14 awg - 2/0	#14-#8	65
	#6-#4	80
	#2-2/0	100

REV	DATE	DESCRIPTION	ECO	BY	C'H'K.
E	04/07/2020	UPDATED SHEET TABLES	53308	JL	TR

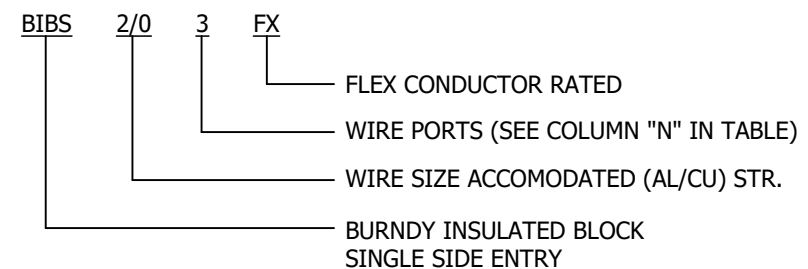


FEATURES	BENEFITS
PLASTISOL COVERED AL 6060-T6 BODY	SAVES TIME, LOWERS INSTALLATION COST, ELIMINATES TAPING
CLEAR PLASTISOL	ALLOWS VISUAL CONFIRMATION THAT CONDUCTOR IS PROPERLY INSERTED
OXIDE-INHIBITOR IS PREFILLED	INHIBITS MOISTURE AND CONTAMINANTS FROM ENTERING THE CONTACT AREA
RANGE-TAKING IN BOTH CODE AND FLEX	REDUCES THE NUMBER OF CONNECTORS CARRIED IN INVENTORY
WIRE AND SCREW PORT COVERS	PROTECTS AGAINST CONTAMINATION AND ACCIDENTAL CONTACT OF ENERGIZED PARTS.
WIRE RANGE AND TORQUE REQUIREMENTS PRINTED ONTO THE CAPS	ALLOWS FOR EASY REFERENCE TO IMPORTANT INSTALLATION INFORMATION
UNIQUE DISC PAD SCREW	IMPROVES WIRE CONTACT AREA



LISTED TO 486A-B, FILE E9498

CERTIFIED TO C22.2, NO. 65, FILE 042860_C_000



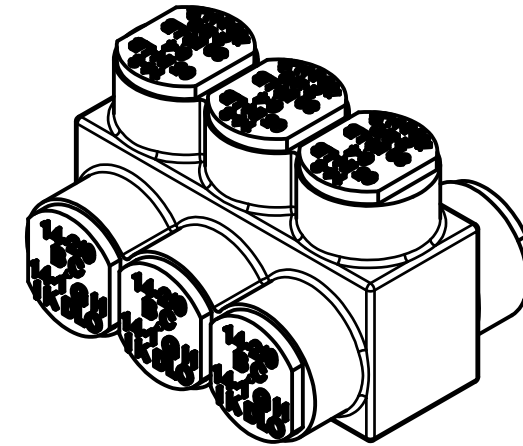
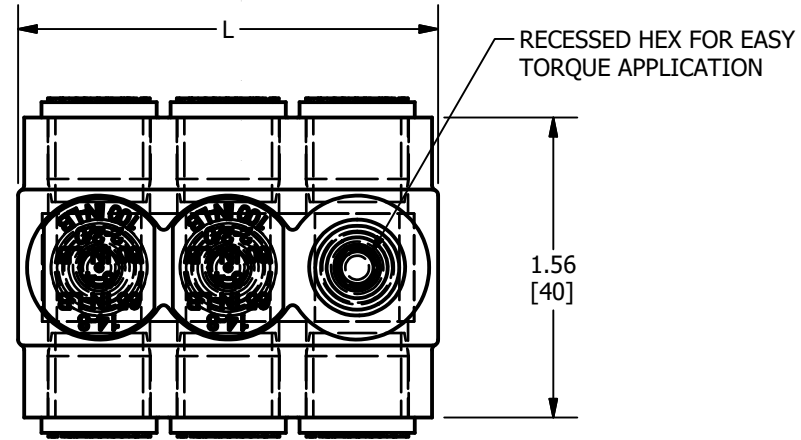
NOTES:

- DIMENSIONS IN BRACKETS [] ARE IN MILLIMETERS ROUNDED OFF TO THE NEAREST MILLIMETER, UNLESS OTHERWISE SPECIFIED AND ARE FOR REFERENCE ONLY.
- THIS DRAWING TO BE INTERPRETED PER ASME Y14.5M-2009.
- MATERIAL: BODY - TIN PLATED ALUMINUM
SCREW - CLEAR COATED ALUMINUM
INSULATION - PLASTISOL
CAPS - POLYETHOLENE
- OPERATING TEMPERATURE - -40°C TO 135°C.
- VOLTAGE RATING - 600 V.
- AMPERAGE RATING - 175 A.

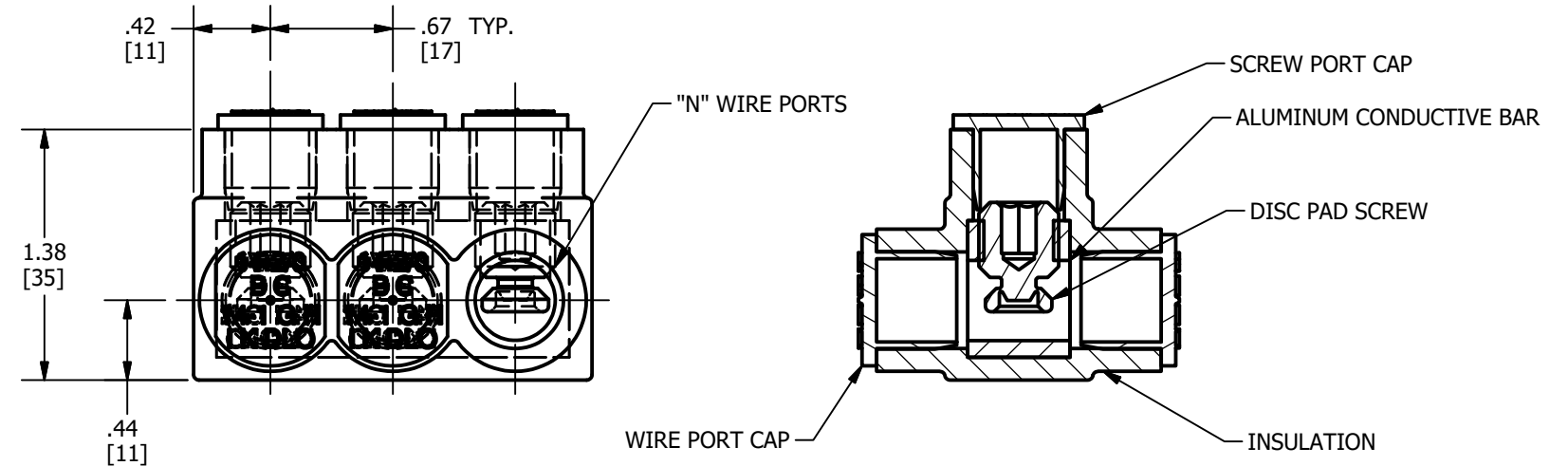
TO ORDER BURNDY® PRODUCTS CALL		FULLY INSULATED DISTRIBUTION BLOCKS-UNITAP™															
UNITED STATES 1-800-346-4175 (LONDONDERRY, NH)		ITEM NO: SEE TABLE															
CANADA: 1-800-361-6975 (QUEBEC) 1-800-387-6487 (ALL OTHER PROVINCES)		CAT. NO: SEE TABLE															
FOR PRODUCT INFO: http://www.burndy.com		<table border="1"> <tr> <td>DRAWN BY: T.REYNOLDS</td> <td>8/14/2014</td> </tr> <tr> <td>CHECKER: T.REYNOLDS</td> <td>8/27/2014</td> </tr> <tr> <td>DSN APRVL: T.REYNOLDS</td> <td>12/20/2015</td> </tr> <tr> <td>MFG APRVL: --</td> <td>--</td> </tr> <tr> <td>QA APRVL: C.KOWALCZYK</td> <td>12/20/2015</td> </tr> <tr> <td>MKT APRVL: M.BAILLY</td> <td>12/20/2015</td> </tr> <tr> <td>PROD FAM: --</td> <td>--</td> </tr> </table>		DRAWN BY: T.REYNOLDS	8/14/2014	CHECKER: T.REYNOLDS	8/27/2014	DSN APRVL: T.REYNOLDS	12/20/2015	MFG APRVL: --	--	QA APRVL: C.KOWALCZYK	12/20/2015	MKT APRVL: M.BAILLY	12/20/2015	PROD FAM: --	--
DRAWN BY: T.REYNOLDS	8/14/2014																
CHECKER: T.REYNOLDS	8/27/2014																
DSN APRVL: T.REYNOLDS	12/20/2015																
MFG APRVL: --	--																
QA APRVL: C.KOWALCZYK	12/20/2015																
MKT APRVL: M.BAILLY	12/20/2015																
PROD FAM: --	--																
		<table border="1"> <tr> <td>PROJECT #: LM15085</td> <td>SIZE</td> <td>DRAWING NO</td> <td>REV</td> </tr> <tr> <td>DOCUMENT TYPE: SALES</td> <td>B</td> <td>50046931</td> <td>E</td> </tr> <tr> <td>REL LEVEL: Released</td> <td></td> <td colspan="2">SHEET 6 OF 15</td> </tr> </table>		PROJECT #: LM15085	SIZE	DRAWING NO	REV	DOCUMENT TYPE: SALES	B	50046931	E	REL LEVEL: Released		SHEET 6 OF 15			
PROJECT #: LM15085	SIZE	DRAWING NO	REV														
DOCUMENT TYPE: SALES	B	50046931	E														
REL LEVEL: Released		SHEET 6 OF 15															

CATALOG NUMBER	ITEM NUMBER	L	N	STRIP LENGTH +/-1/32	COLOR CODE
BIBD2/02FX	50046877	1.266	2	5/8	BLACK
BIBD2/03FX	50046878	1.938	3		
BIBD2/04FX	50046879	2.610	4		
BIBD2/05FX	50046880	3.282	5		
BIBD2/06FX	50046881	3.954	6		
BIBD2/08FX	50046882	5.298	8		
BIBD2/010FX	50046883	6.642	10		
BIBD2/012FX	50046884	7.986	12		
BIBD2/014FX	50046885	9.330	14		

Wire Range	Torque, in-lbs	
#14 awg - 2/0	#14-#8	65
	#6-#4	80
	#2-2/0	100

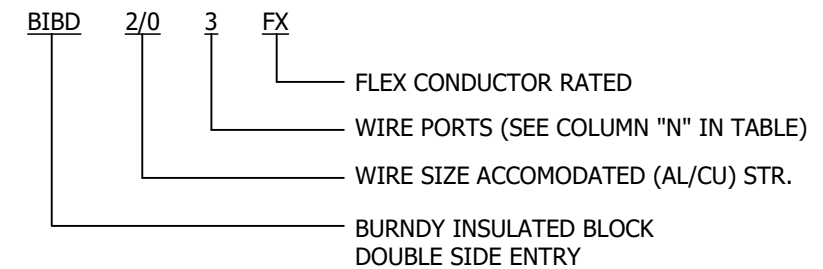


FEATURES	BENEFITS
PLASTISOL COVERED AL 6060-T6 BODY	SAVES TIME, LOWERS INSTALLATION COST, ELIMINATES TAPING
CLEAR PLASTISOL	ALLOWS VISUAL CONFIRMATION THAT CONDUCTOR IS PROPERLY INSERTED
OXIDE-INHIBITOR IS PREFILLED	INHIBITS MOISTURE AND CONTAMINANTS FROM ENTERING THE CONTACT AREA
RANGE-TAKING IN BOTH CODE AND FLEX	REDUCES THE NUMBER OF CONNECTORS CARRIED IN INVENTORY
WIRE AND SCREW PORT COVERS	PROTECTS AGAINST CONTAMINATION AND ACCIDENTAL CONTACT OF ENERGIZED PARTS.
WIRE RANGE AND TORQUE REQUIREMENTS PRINTED ONTO THE CAPS	ALLOWS FOR EASY REFERENCE TO IMPORTANT INSTALLATION INFORMATION
UNIQUE DISC PAD SCREW	IMPROVES WIRE CONTACT AREA



LISTED TO 486A-B, FILE E9498

CERTIFIED TO C22.2, NO. 65, FILE 042860_C_000



NOTES:

- DIMENSIONS IN BRACKETS [] ARE IN MILLIMETERS ROUNDED OFF TO THE NEAREST MILLIMETER, UNLESS OTHERWISE SPECIFIED AND ARE FOR REFERENCE ONLY.
- THIS DRAWING TO BE INTERPRETED PER ASME Y14.5M-2009.
- MATERIAL: BODY - TIN PLATED ALUMINUM
SCREW - CLEAR COATED ALUMINUM
INSULATION - PLASTISOL
CAPS - POLYETHOLENE
- OPERATING TEMPERATURE - -40°C TO 135°C.
- VOLTAGE RATING - 600 V.
- AMPERAGE RATING - 175 A.

REV	DATE	DESCRIPTION	ECO	BY	C'H'K.
E	04/07/2020	UPDATED SHEET TABLES	53308	JL	TR

TO ORDER BURNDY® PRODUCTS CALL
 UNITED STATES
 1-800-346-4175 (LONDONDERRY, NH)
 CANADA:
 1-800-361-6975 (QUEBEC)
 1-800-387-6487 (ALL OTHER PROVINCES)
 FOR PRODUCT INFO: <http://www.burndy.com>

FULLY INSULATED DISTRIBUTION BLOCKS-UNITAP™	
ITEM NO: SEE TABLE	
CAT. NO: SEE TABLE	
DRAWN BY: T.REYNOLDS	8/14/2014
CHECKER: T.REYNOLDS	8/27/2014
DSN APRVL: T.REYNOLDS	12/20/2015
MFG APRVL: --	
QA APRVL: C. KOWALCZYK	12/20/2015
MKT APRVL: M.BAILLY	12/20/2015
PROD FAM: --	DRAWING NO
PROJECT #: LM15085	SIZE
DOCUMENT TYPE: SALES	50046931
REL LEVEL: Released	B
	SHEET 7 OF 15
	REV
	E



CATALOG NUMBER	ITEM NUMBER	L	N	STRIP LENGTH +/--1/32	COLOR CODE
BIBS2503FX	50046832	2.718	3	15/16	YELLOW
BIBS2504FX	50046833	3.656	4		
BIBS2505FX	50046834	4.594	5		
BIBS2506FX	50046835	5.532	6		
BIBS2508FX	50046836	7.408	8		
BIBS25010FX	50046837	9.284	10		
BIBS25012FX	50046838	11.160	12		
BIBS25014FX	50046839	13.036	14		

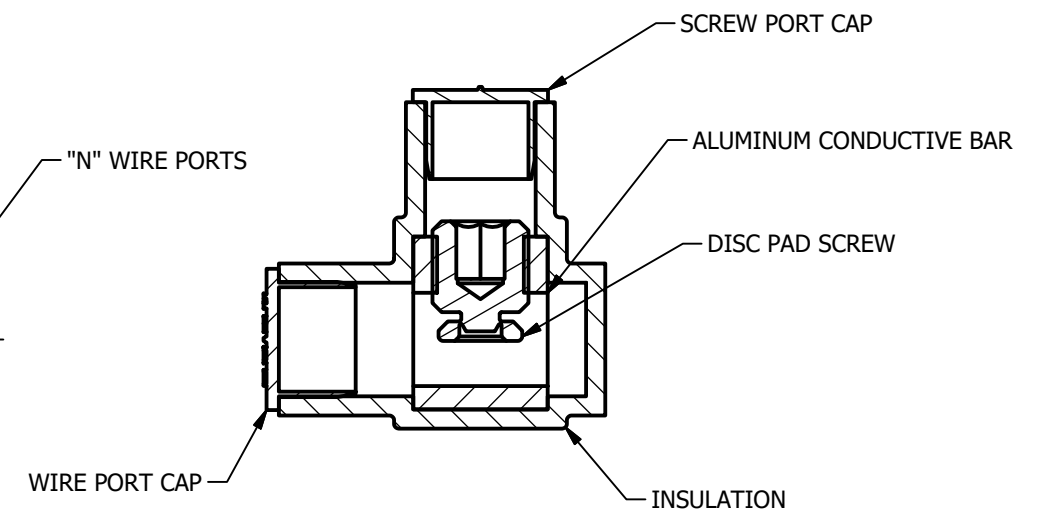
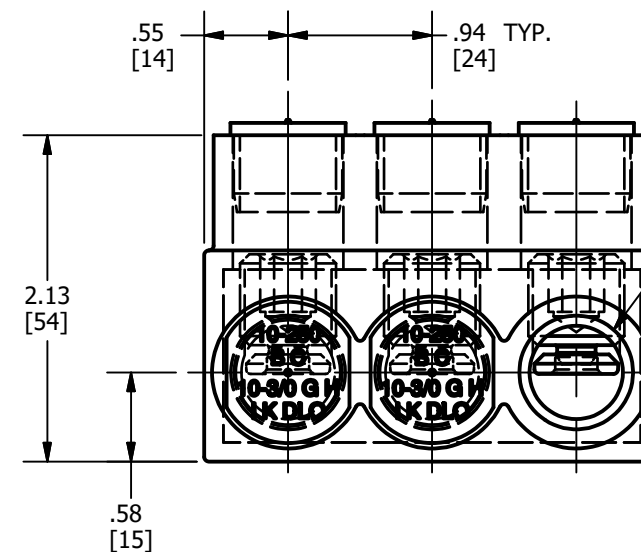
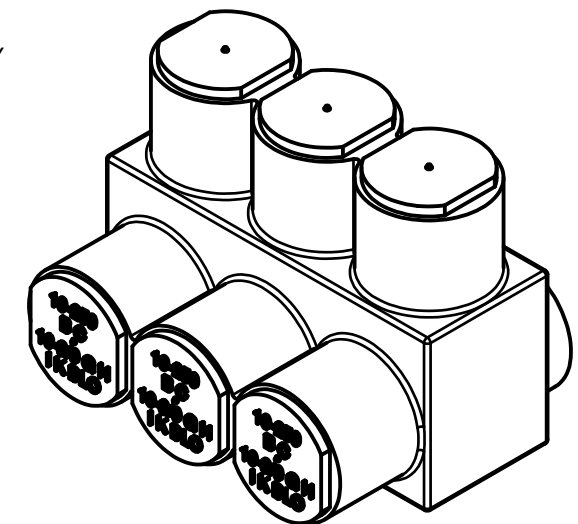
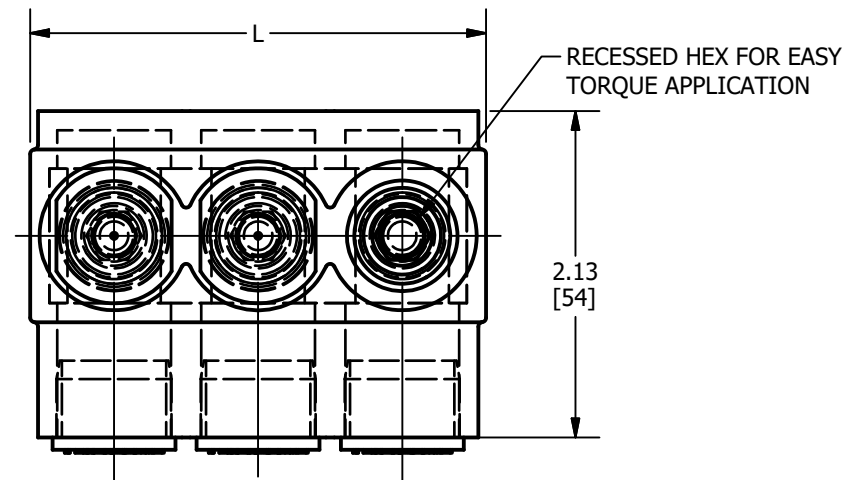
Wire Range	Torque, in-lbs	
#10 awg - 250	#10-#2	180
	1/0-250	225

REV	DATE	DESCRIPTION	ECO	BY	C'H'K.
E	04/07/2020	UPDATED SHEET TABLES	53308	JL	TR

FEATURES	BENEFITS
PLASTISOL COVERED AL 6060-T6 BODY	SAVES TIME, LOWERS INSTALLATION COST, ELIMINATES TAPING
CLEAR PLASTISOL	ALLOWS VISUAL CONFIRMATION THAT CONDUCTOR IS PROPERLY INSERTED
OXIDE-INHIBITOR IS PREFILLED	INHIBITS MOISTURE AND CONTAMINANTS FROM ENTERING THE CONTACT AREA
RANGE-TAKING IN BOTH CODE AND FLEX	REDUCES THE NUMBER OF CONNECTORS CARRIED IN INVENTORY
WIRE AND SCREW PORT COVERS	PROTECTS AGAINST CONTAMINATION AND ACCIDENTAL CONTACT OF ENERGIZED PARTS.
WIRE RANGE AND TORQUE REQUIREMENTS PRINTED ONTO THE CAPS	ALLOWS FOR EASY REFERENCE TO IMPORTANT INSTALLATION INFORMATION
UNIQUE DISC PAD SCREW	IMPROVES WIRE CONTACT AREA

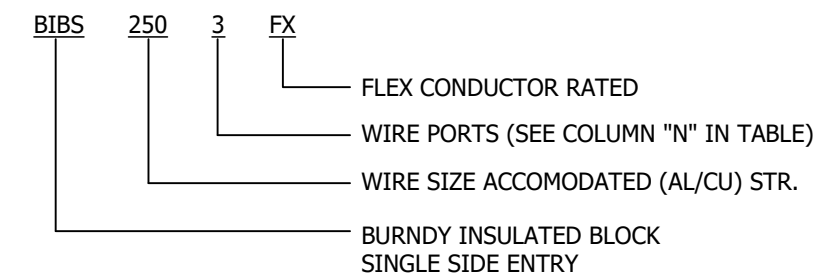
NOTES:

- DIMENSIONS IN BRACKETS [] ARE IN MILLIMETERS ROUNDED OFF TO THE NEAREST MILLIMETER, UNLESS OTHERWISE SPECIFIED AND ARE FOR REFERENCE ONLY.
- THIS DRAWING TO BE INTERPRETED PER ASME Y14.5M-2009.
- MATERIAL: BODY - TIN PLATED ALUMINUM
SCREW - CLEAR COATED ALUMINUM
INSULATION - PLASTISOL
CAPS - POLYETHOLENE
- OPERATING TEMPERATURE - -40°C TO 135°C.
- VOLTAGE RATING - 600 V.
- AMPERAGE RATING - 255 A.



LISTED TO 486A-B, FILE E9498

CERTIFIED TO C22.2, NO. 65, FILE 042860_C_000



TO ORDER BURNDY® PRODUCTS CALL
 UNITED STATES
 1-800-346-4175 (LONDONDERRY, NH)
 CANADA:
 1-800-361-6975 (QUEBEC)
 1-800-387-6487 (ALL OTHER PROVINCES)
 FOR PRODUCT INFO: <http://www.burndy.com>

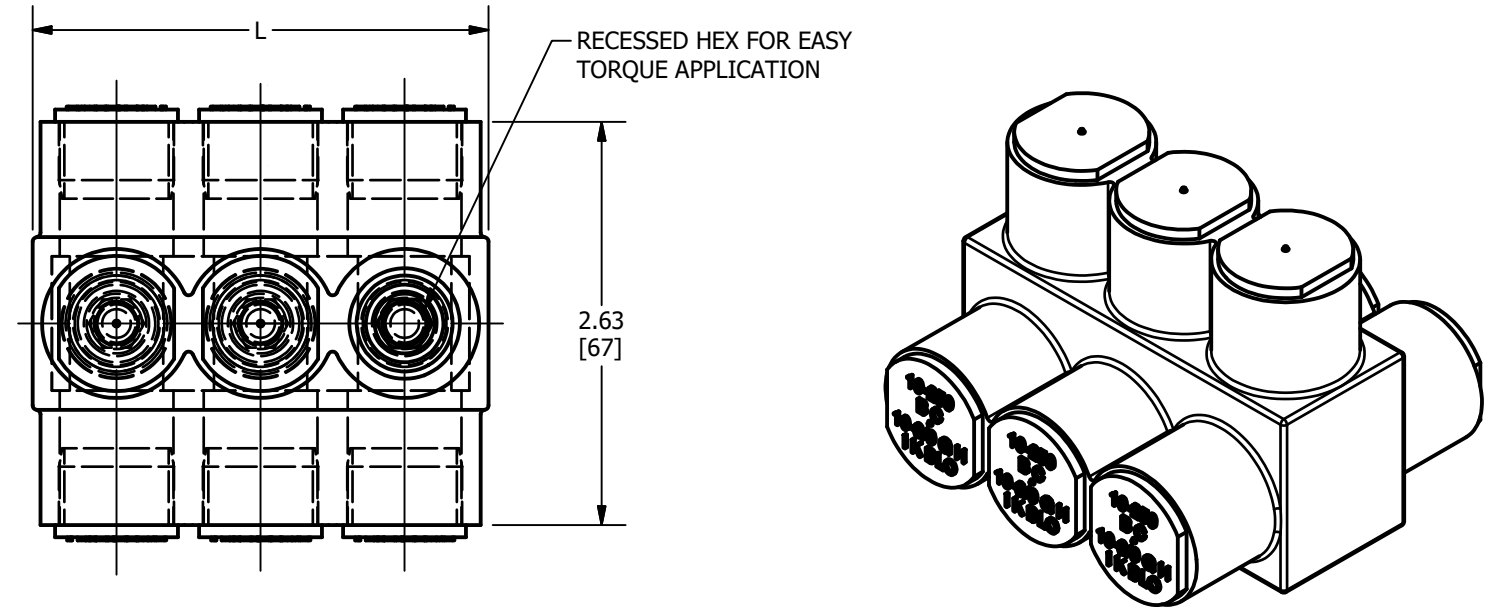
FULLY INSULATED DISTRIBUTION BLOCKS-UNITAP™	
ITEM NO: SEE TABLE	
CAT. NO: SEE TABLE	
DRAWN BY: T.REYNOLDS	8/14/2014
CHECKER: T.REYNOLDS	8/27/2014
DSN APRVL: T.REYNOLDS	12/20/2015
MFG APRVL: --	
QA APRVL: C. KOWALCZYK	12/20/2015
MKT APRVL: M.BAILLY	12/20/2015
PROD FAM: --	DRAWING NO
PROJECT #: LM15085	SIZE
DOCUMENT TYPE: SALES	50046931
REL LEVEL: Released	B
	SHEET 8 OF 15
	REV
	E



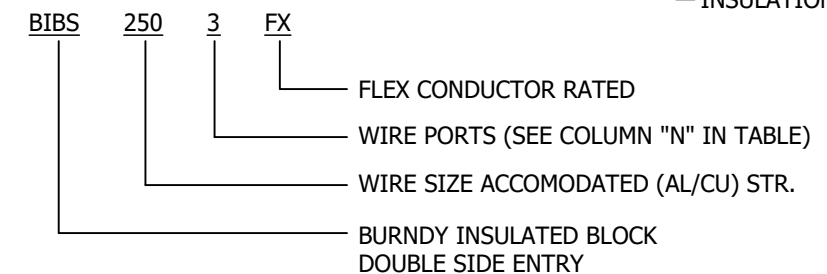
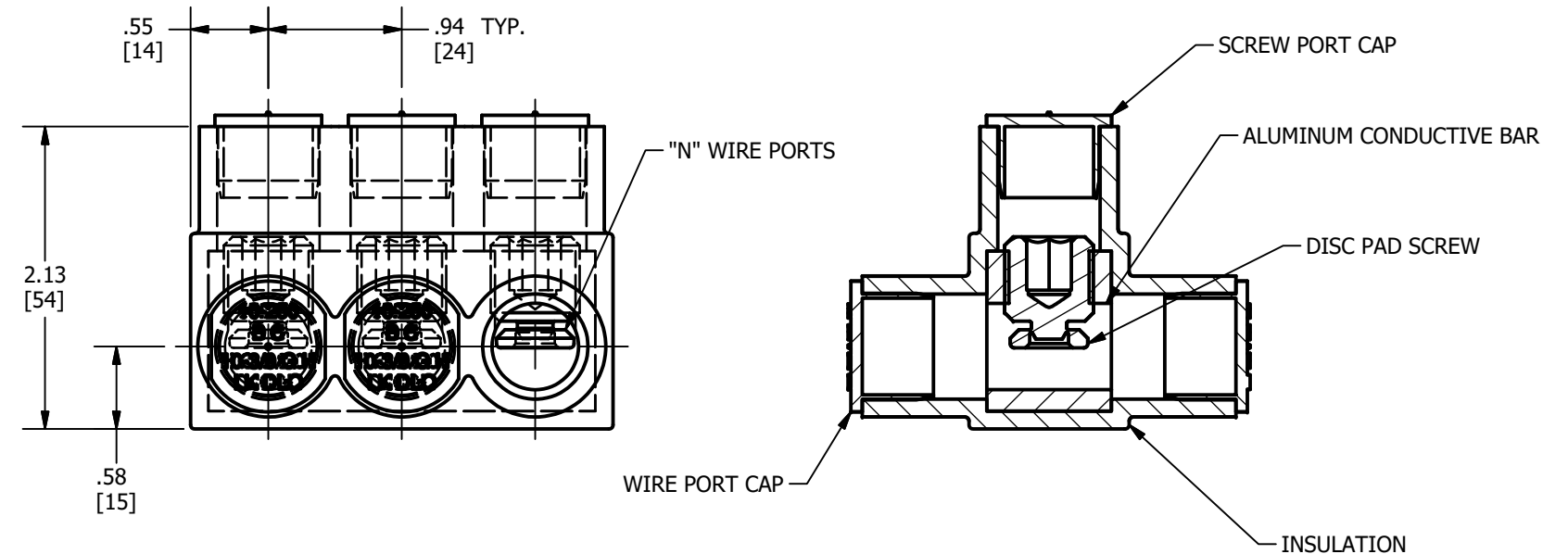
CATALOG NUMBER	ITEM NUMBER	L	N	STRIP LENGTH +/--1/32	COLOR CODE
BIBD2502FX	50046887	1.780	2	15/16	YELLOW
BIBD2503FX	50046888	2.718	3		
BIBD2504FX	50046889	3.656	4		
BIBD2505FX	50046890	4.594	5		
BIBD2506FX	50046891	5.532	6		
BIBD2508FX	50046892	7.408	8		
BIBD25010FX	50046893	9.284	10		
BIBD25012FX	50046894	11.160	12		
BIBD25014FX	50046895	13.036	14		

Wire Range	Torque, in-lbs	
#10 awg - 250	#10-#2	180
	1/0-250	225

REV	DATE	DESCRIPTION	ECO	BY	C'H'K.
E	04/07/2020	UPDATED SHEET TABLES	53308	JL	TR



FEATURES	BENEFITS
PLASTISOL COVERED AL 6060-T6 BODY	SAVES TIME, LOWERS INSTALLATION COST, ELIMINATES TAPING
CLEAR PLASTISOL	ALLOWS VISUAL CONFIRMATION THAT CONDUCTOR IS PROPERLY INSERTED
OXIDE-INHIBITOR IS PREFILLED	INHIBITS MOISTURE AND CONTAMINANTS FROM ENTERING THE CONTACT AREA
RANGE-TAKING IN BOTH CODE AND FLEX	REDUCES THE NUMBER OF CONNECTORS CARRIED IN INVENTORY
WIRE AND SCREW PORT COVERS	PROTECTS AGAINST CONTAMINATION AND ACCIDENTAL CONTACT OF ENERGIZED PARTS.
WIRE RANGE AND TORQUE REQUIREMENTS PRINTED ONTO THE CAPS	ALLOWS FOR EASY REFERENCE TO IMPORTANT INSTALLATION INFORMATION
UNIQUE DISC PAD SCREW	IMPROVES WIRE CONTACT AREA



LISTED TO 486A-B, FILE E9498

CERTIFIED TO C22.2, NO. 65, FILE 042860_C_000

NOTES:

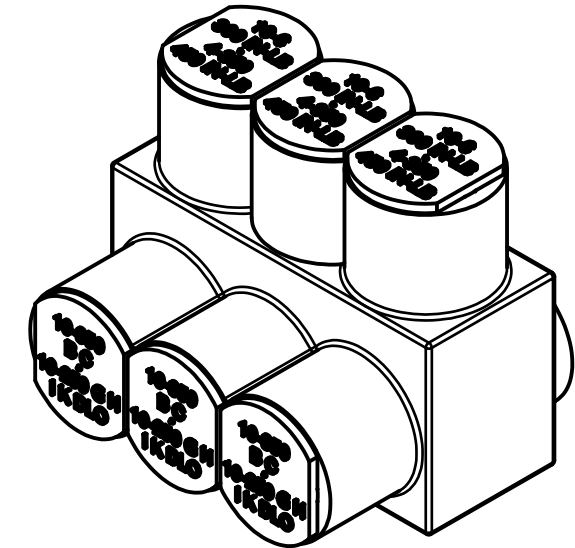
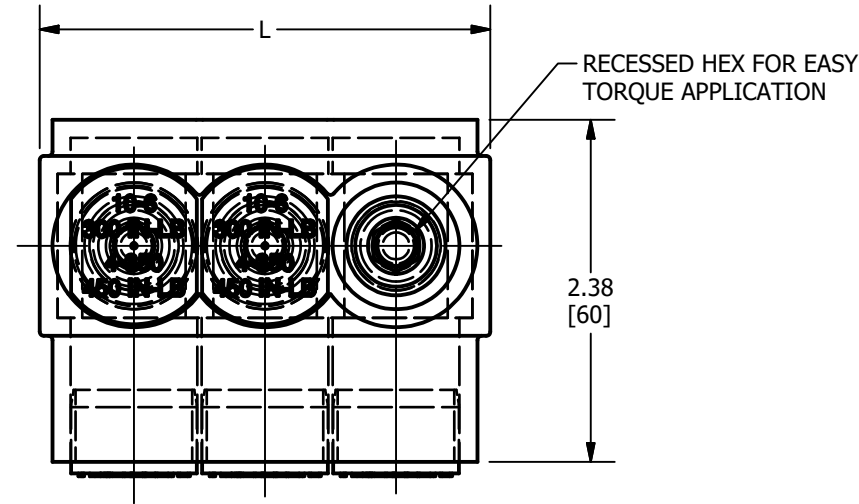
- DIMENSIONS IN BRACKETS [] ARE IN MILLIMETERS ROUNDED OFF TO THE NEAREST MILLIMETER, UNLESS OTHERWISE SPECIFIED AND ARE FOR REFERENCE ONLY.
- THIS DRAWING TO BE INTERPRETED PER ASME Y14.5M-2009.
- MATERIAL: BODY - TIN PLATED ALUMINUM
SCREW - CLEAR COATED ALUMINUM
INSULATION - PLASTISOL
CAPS - POLYETHOLENE
- OPERATING TEMPERATURE - -40°C TO 135°C.
- VOLTAGE RATING - 600 V.
- AMPERAGE RATING - 255 A.

TO ORDER BURNDY® PRODUCTS CALL		FULLY INSULATED DISTRIBUTION BLOCKS-UNITAP™	
UNITED STATES 1-800-346-4175 (LONDONDERRY, NH)		ITEM NO: SEE TABLE	
CANADA: 1-800-361-6975 (QUEBEC) 1-800-387-6487 (ALL OTHER PROVINCES)		CAT. NO: SEE TABLE	
FOR PRODUCT INFO: http://www.burndy.com		DRAWN BY: T.REYNOLDS 8/14/2014	
		CHECKER: T.REYNOLDS 8/27/2014	
		DSN APRVL: T.REYNOLDS 12/20/2015	
		MFG APRVL: --	
		QA APRVL: C.KOWALCZYK 12/20/2015	
		MKT APRVL: M.BAILLY 12/20/2015	
		PROD FAM: --	
		DRAWING NO	
		50046931	
		REV	
		E	

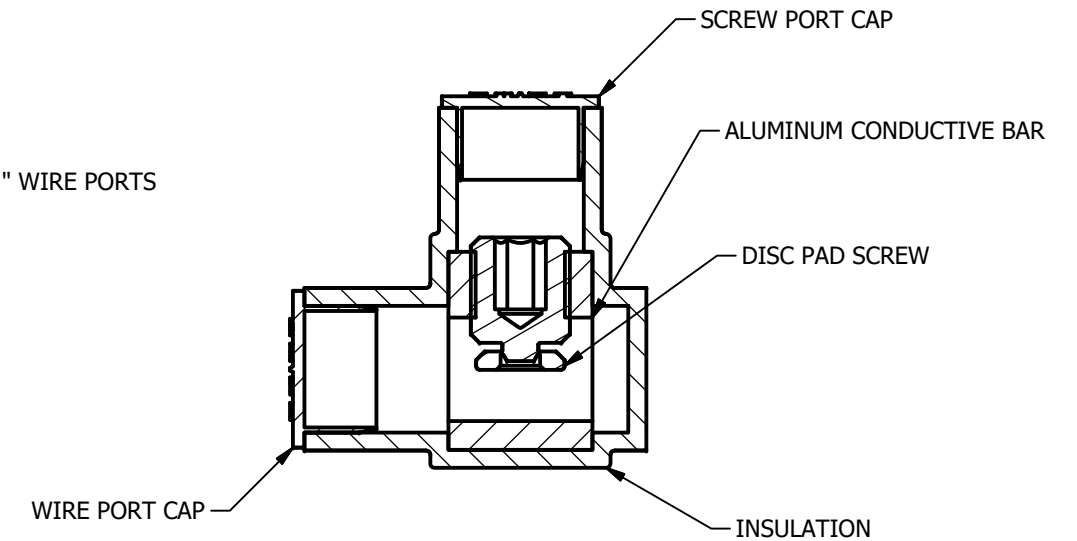
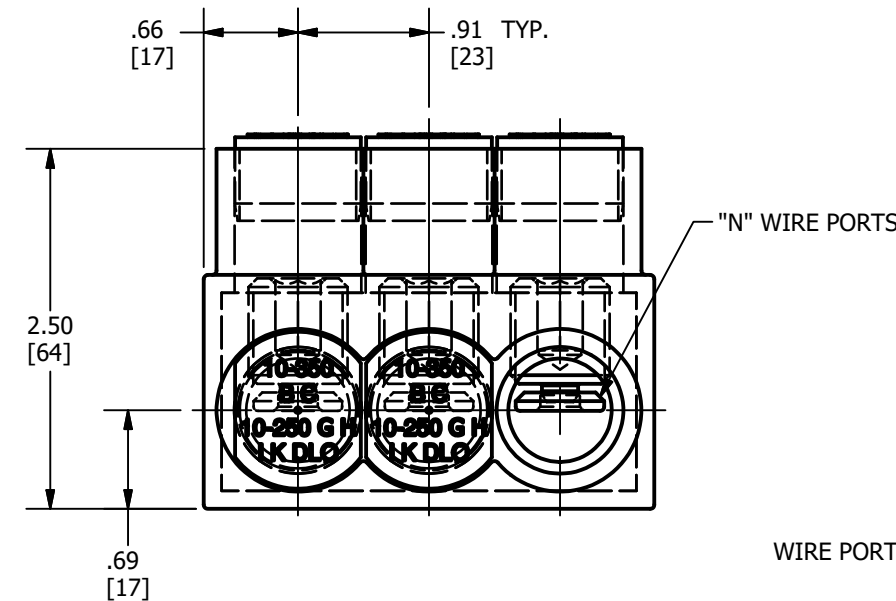
CATALOG NUMBER	ITEM NUMBER	L	N	STRIP LENGTH +/-1/32	COLOR CODE
BIBS3503FX	50046842	2.880	3	1-1/16	RED
BIBS3504FX	50046843	3.790	4		
BIBS3505FX	50046844	4.700	5		
BIBS3506FX	50046845	5.610	6		
BIBS3508FX	50046846	7.430	8		
BIBS35010FX	50046847	9.250	10		
BIBS35012FX	50046848	11.070	12		
BIBS35014FX	50046849	12.890	14		

Wire Range	Torque, in-lbs	
#10 awg - 350 kcmil	#10-1/0	220
	2/0-4/0	260
	250-350	300

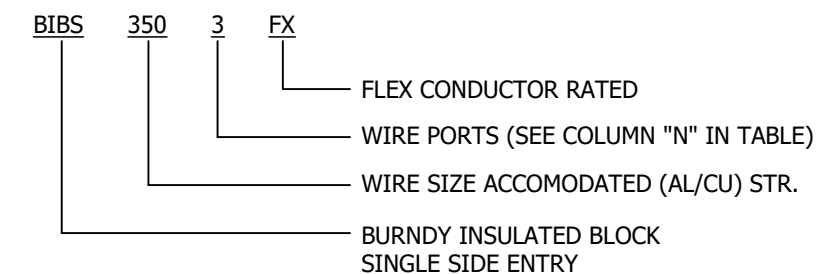
REV	DATE	DESCRIPTION	ECO	BY	C'H'K.
E	04/07/2020	UPDATED SHEET TABLES	53308	JL	TR



FEATURES	BENEFITS
PLASTISOL COVERED AL 6060-T6 BODY	SAVES TIME, LOWERS INSTALLATION COST, ELIMINATES TAPING
CLEAR PLASTISOL	ALLOWS VISUAL CONFIRMATION THAT CONDUCTOR IS PROPERLY INSERTED
OXIDE-INHIBITOR IS PREFILLED	INHIBITS MOISTURE AND CONTAMINANTS FROM ENTERING THE CONTACT AREA
RANGE-TAKING IN BOTH CODE AND FLEX	REDUCES THE NUMBER OF CONNECTORS CARRIED IN INVENTORY
WIRE AND SCREW PORT COVERS	PROTECTS AGAINST CONTAMINATION AND ACCIDENTAL CONTACT OF ENERGIZED PARTS.
WIRE RANGE AND TORQUE REQUIREMENTS PRINTED ONTO THE CAPS	ALLOWS FOR EASY REFERENCE TO IMPORTANT INSTALLATION INFORMATION
UNIQUE DISC PAD SCREW	IMPROVES WIRE CONTACT AREA



- LISTED TO 486A-B, FILE E9498
- CERTIFIED TO C22.2, NO. 65, FILE 042860_C_000



NOTES:

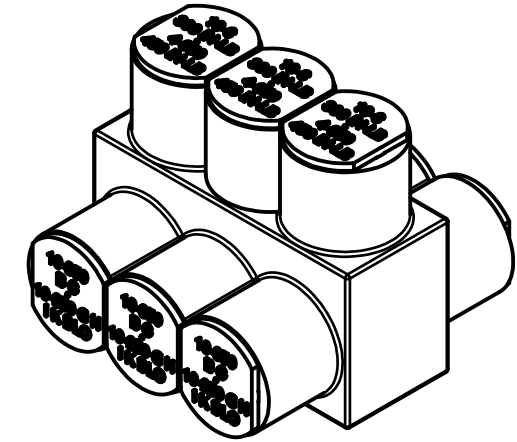
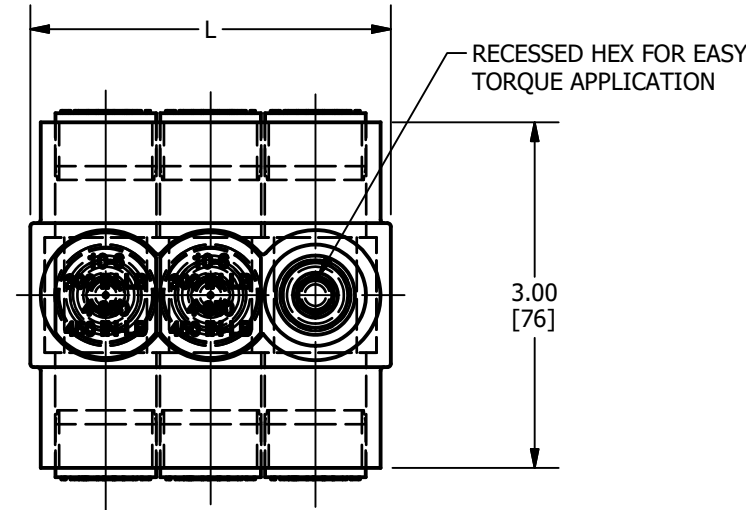
- DIMENSIONS IN BRACKETS [] ARE IN MILLIMETERS ROUNDED OFF TO THE NEAREST MILLIMETER, UNLESS OTHERWISE SPECIFIED AND ARE FOR REFERENCE ONLY.
- THIS DRAWING TO BE INTERPRETED PER ASME Y14.5M-2009.
- MATERIAL: BODY - TIN PLATED ALUMINUM
SCREW - CLEAR COATED ALUMINUM
INSULATION - PLASTISOL
CAPS - POLYETHOLENE
- OPERATING TEMPERATURE - -40°C TO 135°C.
- VOLTAGE RATING - 600 V.
- AMPERAGE RATING - 310 A.

TO ORDER BURNDY® PRODUCTS CALL UNITED STATES 1-800-346-4175 (LONDONDERRY, NH) CANADA: 1-800-361-6975 (QUEBEC) 1-800-387-6487 (ALL OTHER PROVINCES) FOR PRODUCT INFO: http://www.burndy.com	FULLY INSULATED DISTRIBUTION BLOCKS-UNITAP™	
	ITEM NO: SEE TABLE CAT. NO: SEE TABLE DRAWN BY: T.REYNOLDS 8/14/2014 CHECKER: T.REYNOLDS 8/27/2014 DSN APRVL: T.REYNOLDS 12/20/2015 MFG APRVL: -- QA APRVL: C. KOWALCZYK 12/20/2015 MKT APRVL: M.BAILLY 12/20/2015 PROD FAM: --	DRAWING NO 50046931 REV E
PROJECT #: LM15085 DOCUMENT TYPE: SALES REL LEVEL: Released	SIZE B	SHEET 10 OF 15

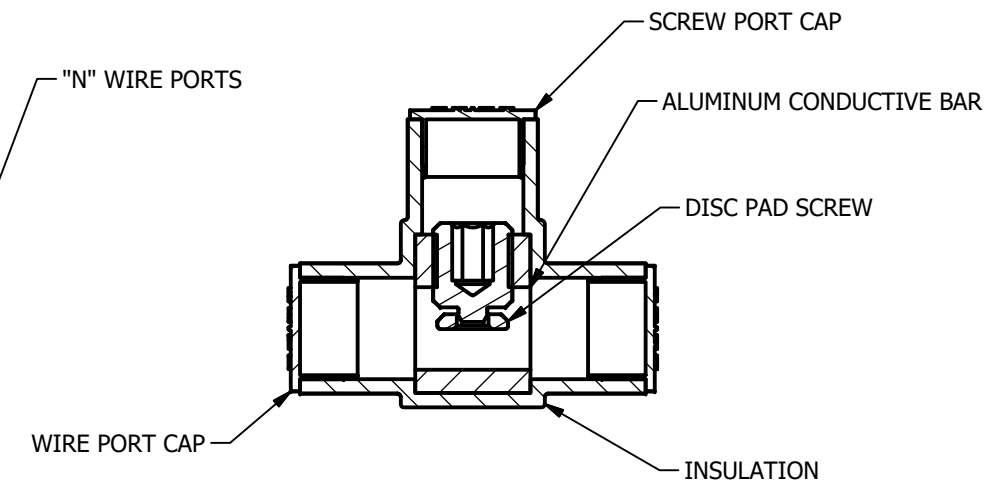
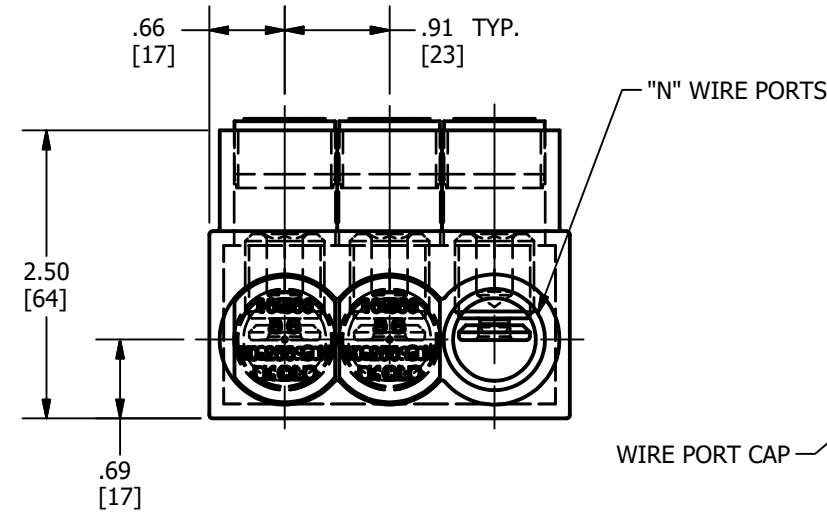
CATALOG NUMBER	ITEM NUMBER	L	N	STRIP LENGTH +/--1/32	COLOR CODE
BIBD3502FX	50046897	1.970	2	1 - 1/16	RED
BIBD3503FX	50046898	2.880	3		
BIBD3504FX	50046899	3.790	4		
BIBD3505FX	50046900	4.700	5		
BIBD3506FX	50046901	5.610	6		
BIBD3508FX	50046902	7.430	8		
BIBD35010FX	50046903	9.250	10		
BIBD35012FX	50046904	11.070	12		
BIBD35014FX	50046905	12.890	14		

Wire Range	Torque, in-lbs	
#10 awg - 350 kcmil	#10-1/0	220
	2/0-4/0	260
	250-350	300

REV	DATE	DESCRIPTION	ECO	BY	C'H'K.
E	04/07/2020	UPDATED SHEET TABLES	53308	JL	TR

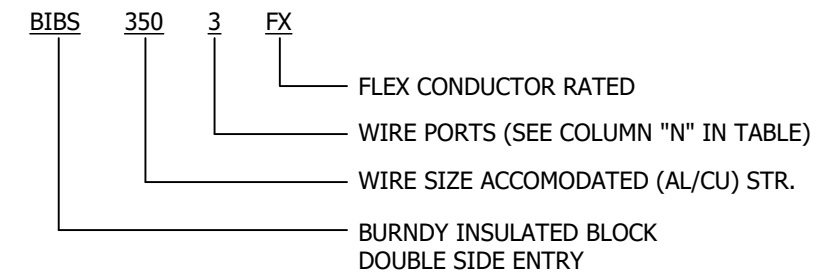


FEATURES	BENEFITS
PLASTISOL COVERED AL 6060-T6 BODY	SAVES TIME, LOWERS INSTALLATION COST, ELIMINATES TAPING
CLEAR PLASTISOL	ALLOWS VISUAL CONFIRMATION THAT CONDUCTOR IS PROPERLY INSERTED
OXIDE-INHIBITOR IS PREFILLED	INHIBITS MOISTURE AND CONTAMINANTS FROM ENTERING THE CONTACT AREA
RANGE-TAKING IN BOTH CODE AND FLEX	REDUCES THE NUMBER OF CONNECTORS CARRIED IN INVENTORY
WIRE AND SCREW PORT COVERS	PROTECTS AGAINST CONTAMINATION AND ACCIDENTAL CONTACT OF ENERGIZED PARTS.
WIRE RANGE AND TORQUE REQUIREMENTS PRINTED ONTO THE CAPS	ALLOWS FOR EASY REFERENCE TO IMPORTANT INSTALLATION INFORMATION
UNIQUE DISC PAD SCREW	IMPROVES WIRE CONTACT AREA



LISTED TO 486A-B, FILE E9498

CERTIFIED TO C22.2, NO. 65, FILE 042860_C_000



NOTES:

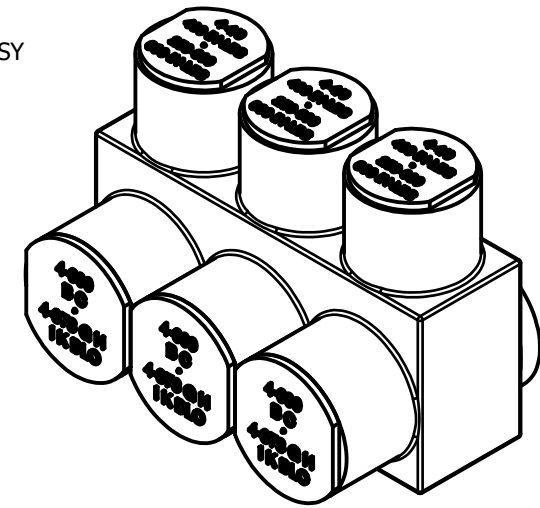
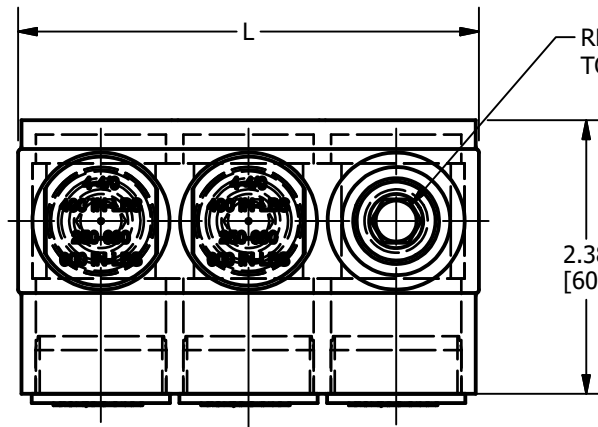
- DIMENSIONS IN BRACKETS [] ARE IN MILLIMETERS ROUNDED OFF TO THE NEAREST MILLIMETER, UNLESS OTHERWISE SPECIFIED AND ARE FOR REFERENCE ONLY.
- THIS DRAWING TO BE INTERPRETED PER ASME Y14.5M-2009.
- MATERIAL: BODY - TIN PLATED ALUMINUM
SCREW - CLEAR COATED ALUMINUM
INSULATION - PLASTISOL
CAPS - POLYETHOLENE
- OPERATING TEMPERATURE - -40°C TO 135°C.
- VOLTAGE RATING - 600 V.
- AMPERAGE RATING - 310 A.

TO ORDER BURNDY® PRODUCTS CALL		FULLY INSULATED DISTRIBUTION BLOCKS-UNITAP™	
UNITED STATES 1-800-346-4175 (LONDONDERRY, NH)		ITEM NO: SEE TABLE	
CANADA: 1-800-361-6975 (QUEBEC) 1-800-387-6487 (ALL OTHER PROVINCES)		CAT. NO: SEE TABLE	
FOR PRODUCT INFO: http://www.burndy.com		DRAWN BY: T.REYNOLDS 8/14/2014	
		CHECKER: T.REYNOLDS 8/27/2014	
		DSN APRVL: T.REYNOLDS 12/20/2015	
		MFG APRVL: --	
		QA APRVL: C. KOWALCZYK 12/20/2015	
		MKT APRVL: M.BAILLY 12/20/2015	
		PROJ #: LM15085	
		SIZE: B	
		DRAWING NO: 50046931	
		REV: E	
		SHEET 11 OF 15	

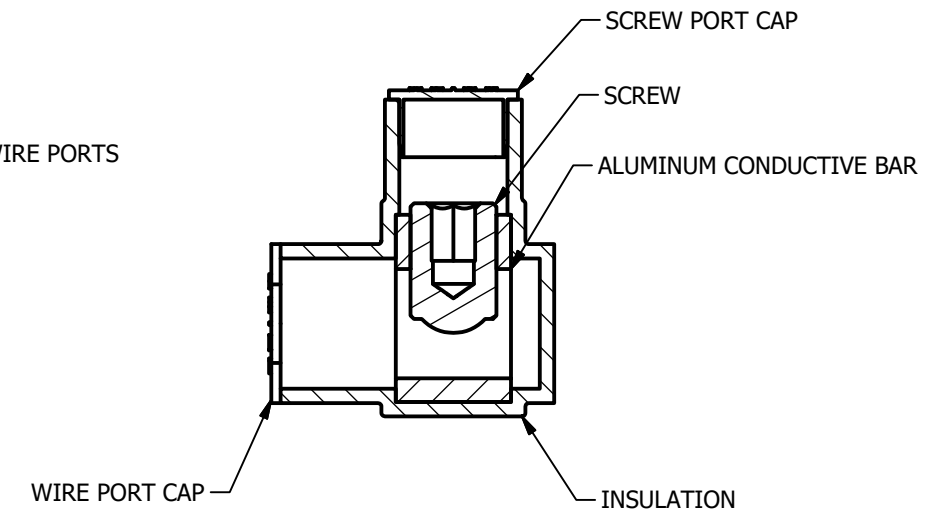
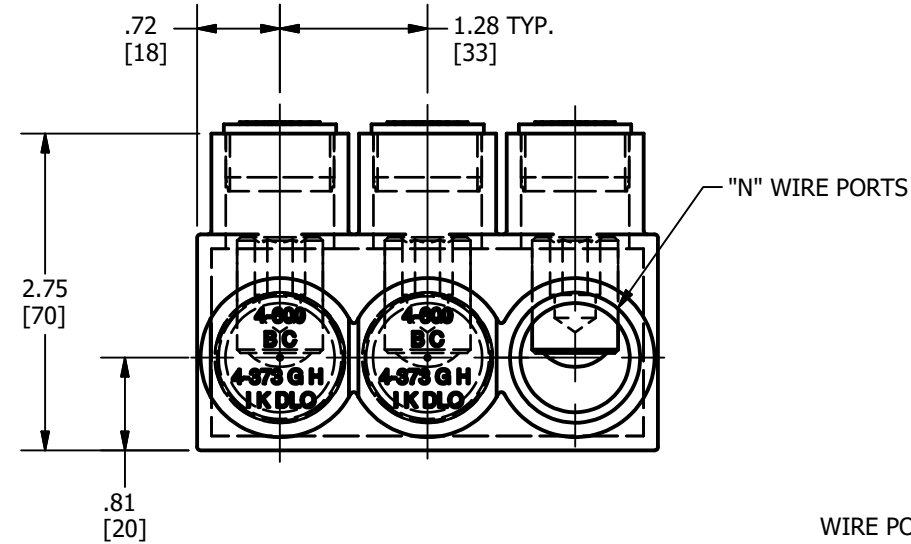
CATALOG NUMBER	ITEM NUMBER	L	N	STRIP LENGTH +/- 1/32	COLOR CODE
BIBS6003FX	50046852	3.750	3	1 - 1/16	GREEN
BIBS6004FX	50046853	5.031	4		
BIBS6005FX	50046854	6.312	5		
BIBS6006FX	50046855	7.593	6		
BIBS6008FX	50046856	10.155	8		
BIBS60010FX	50046857	12.717	10		
BIBS60012FX	50046858	15.279	12		
BIBS60014FX	50046859	17.841	14		

REV	DATE	DESCRIPTION	ECO	BY	C'H'K.
E	04/07/2020	UPDATED SHEET TABLES	53308	JL	TR

Wire Range	Torque, in-lbs	
#4 awg - 600 kcmil	#4-1/0	300
	2/0-4/0	350
	250-600	400



FEATURES	BENEFITS
PLASTISOL COVERED AL 6060-T6 BODY	SAVES TIME, LOWERS INSTALLATION COST, ELIMINATES TAPING
CLEAR PLASTISOL	ALLOWS VISUAL CONFIRMATION THAT CONDUCTOR IS PROPERLY INSERTED
OXIDE-INHIBITOR IS PREFILLED	INHIBITS MOISTURE AND CONTAMINANTS FROM ENTERING THE CONTACT AREA
RANGE-TAKING IN BOTH CODE AND FLEX	REDUCES THE NUMBER OF CONNECTORS CARRIED IN INVENTORY
WIRE AND SCREW PORT COVERS	PROTECTS AGAINST CONTAMINATION AND ACCIDENTAL CONTACT OF ENERGIZED PARTS.
WIRE RANGE AND TORQUE REQUIREMENTS PRINTED ONTO THE CAPS	ALLOWS FOR EASY REFERENCE TO IMPORTANT INSTALLATION INFORMATION



LISTED TO 486A-B, FILE E9498

CERTIFIED TO C22.2, NO. 65, FILE 042860_C_000

BIBS 600 3 FX

- FLEX CONDUCTOR RATED
- WIRE PORTS (SEE COLUMN "N" IN TABLE)
- WIRE SIZE ACCOMODATED (AL/CU) STR.
- BURNDY INSULATED BLOCK SINGLE SIDE ENTRY

NOTES:

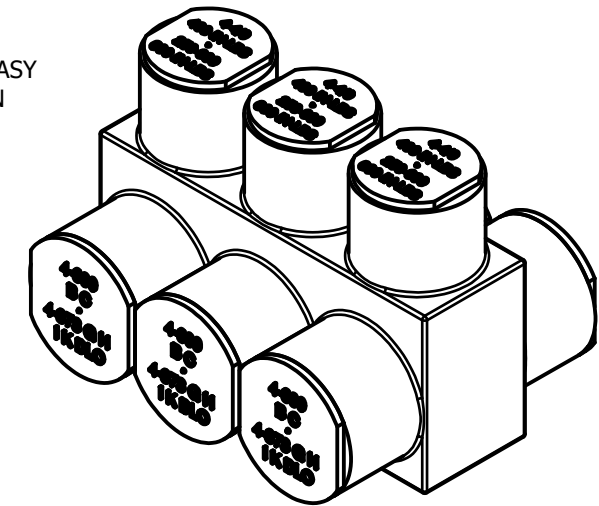
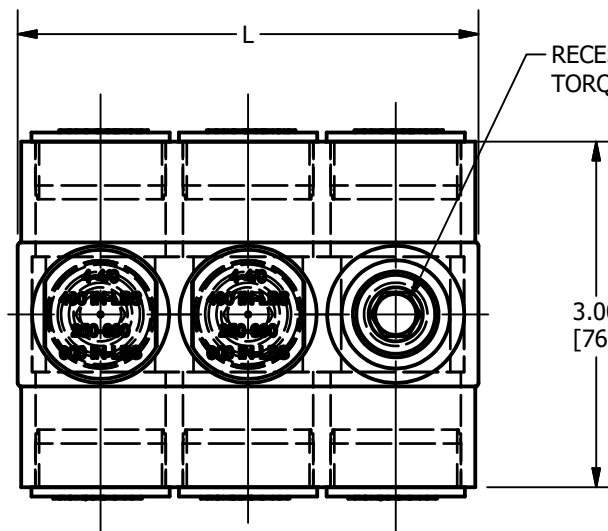
- DIMENSIONS IN BRACKETS [] ARE IN MILLIMETERS ROUNDED OFF TO THE NEAREST MILLIMETER, UNLESS OTHERWISE SPECIFIED AND ARE FOR REFERENCE ONLY.
- THIS DRAWING TO BE INTERPRETED PER ASME Y14.5M-2009.
- MATERIAL: BODY - TIN PLATED ALUMINUM
SCREW - CLEAR COATED ALUMINUM
INSULATION - PLASTISOL
CAPS - POLYETHOLENE
- OPERATING TEMPERATURE - -40°C TO 135°C.
- VOLTAGE RATING - 600 V.
- AMPERAGE RATING - 420 A.

TO ORDER BURNDY® PRODUCTS CALL		FULLY INSULATED DISTRIBUTION BLOCKS-UNITAP™	
UNITED STATES 1-800-346-4175 (LONDONDERRY, NH)		ITEM NO: SEE TABLE	
CANADA: 1-800-361-6975 (QUEBEC) 1-800-387-6487 (ALL OTHER PROVINCES)		CAT. NO: SEE TABLE	
FOR PRODUCT INFO: http://www.burndy.com		DRAWN BY: T.REYNOLDS 8/14/2014	
		CHECKER: T.REYNOLDS 8/27/2014	
		DSN APRVL: T.REYNOLDS 12/20/2015	
		MFG APRVL: --	
		QA APRVL: C. KOWALCZYK 12/20/2015	
		MKT APRVL: M.BAILLY 12/20/2015	
		PROD FAM: --	
		PROJECT #: LM15085	DRAWING NO
		DOCUMENT TYPE: SALES	50046931
		REL LEVEL: Released	SHEET 12 OF 15
		SIZE: B	REV: E

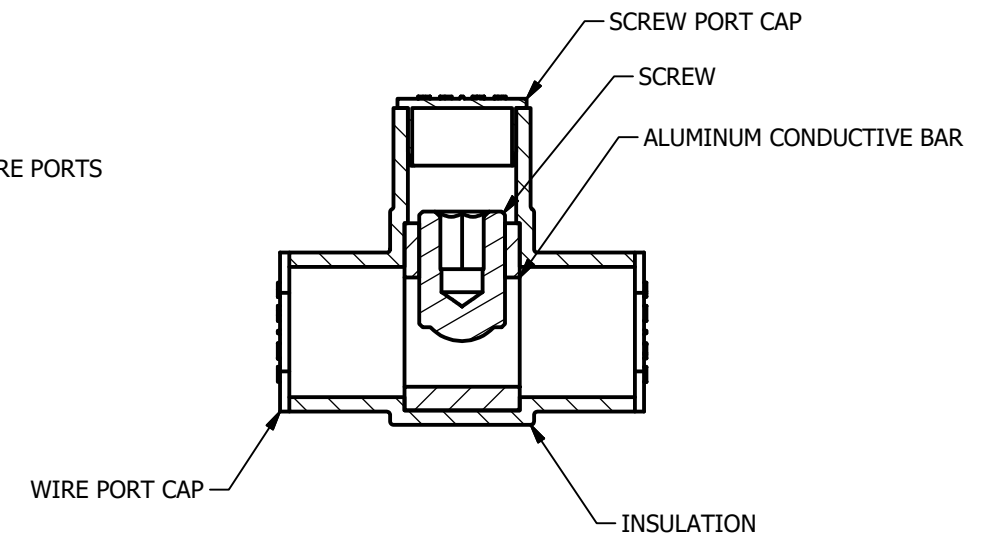
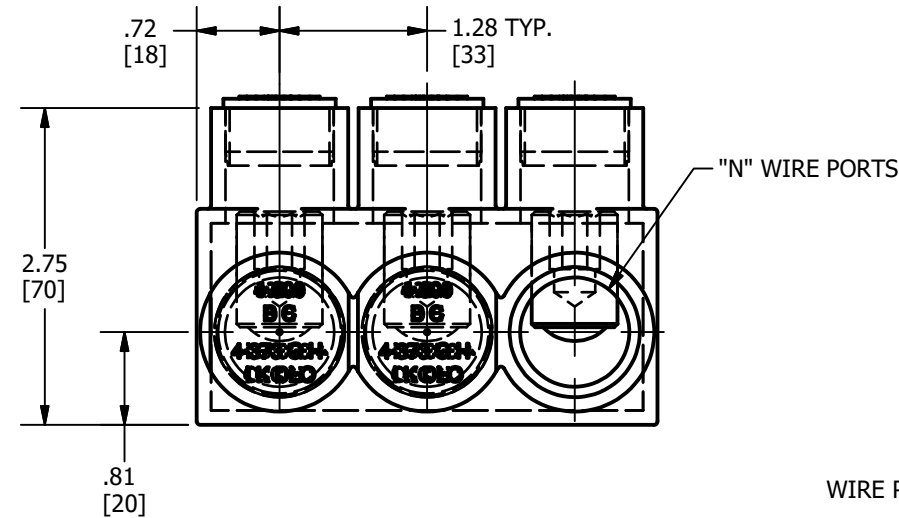
CATALOG NUMBER	ITEM NUMBER	L	N	STRIP LENGTH +/- 1/32	COLOR CODE
BIBD6002FX	50046907	2.469	2	1- 1/16	GREEN
BIBD6003FX	50046908	3.750	3		
BIBD6004FX	50046909	5.031	4		
BIBD6005FX	50046910	6.312	5		
BIBD6006FX	50046911	7.593	6		
BIBD6008FX	50046912	10.155	8		
BIBD60010FX	50046913	12.717	10		
BIBD60012FX	50046914	15.279	12		
BIBD60014FX	50046915	17.841	14		

Wire Range	Torque, in-lbs	
#4 awg - 600 kcmil	#4-1/0	300
	2/0-4/0	350
	250-600	400

REV	DATE	DESCRIPTION	ECO	BY	C'H'K.
E	04/07/2020	UPDATED SHEET TABLES	53308	JL	TR

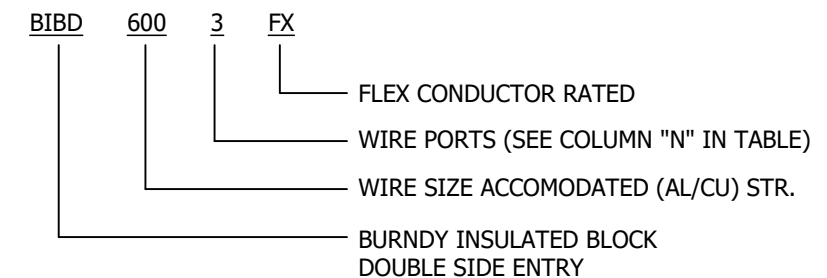


FEATURES	BENEFITS
PLASTISOL COVERED AL 6060-T6 BODY	SAVES TIME, LOWERS INSTALLATION COST, ELIMINATES TAPING
CLEAR PLASTISOL	ALLOWS VISUAL CONFIRMATION THAT CONDUCTOR IS PROPERLY INSERTED
OXIDE-INHIBITOR IS PREFILLED	INHIBITS MOISTURE AND CONTAMINANTS FROM ENTERING THE CONTACT AREA
RANGE-TAKING IN BOTH CODE AND FLEX	REDUCES THE NUMBER OF CONNECTORS CARRIED IN INVENTORY
WIRE AND SCREW PORT COVERS	PROTECTS AGAINST CONTAMINATION AND ACCIDENTAL CONTACT OF ENERGIZED PARTS.
WIRE RANGE AND TORQUE REQUIREMENTS PRINTED ONTO THE CAPS	ALLOWS FOR EASY REFERENCE TO IMPORTANT INSTALLATION INFORMATION



LISTED TO 486A-B, FILE E9498

CERTIFIED TO C22.2, NO. 65, FILE 042860_C_000



NOTES:

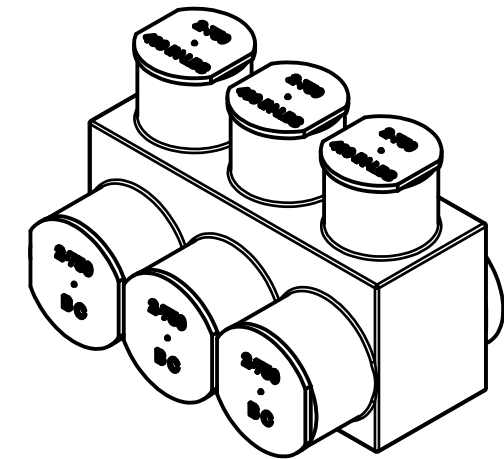
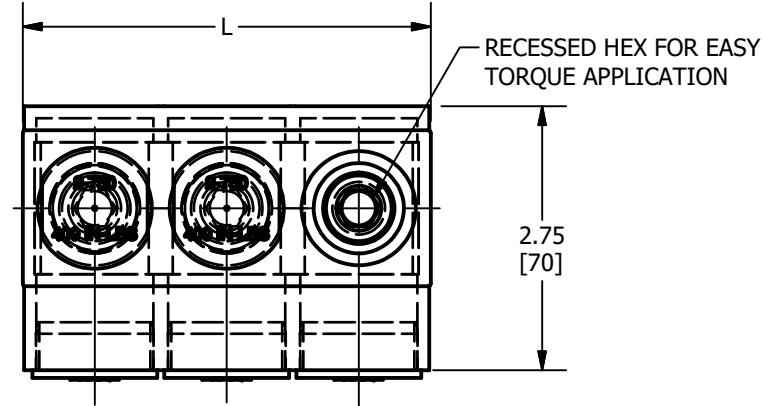
- DIMENSIONS IN BRACKETS [] ARE IN MILLIMETERS ROUNDED OFF TO THE NEAREST MILLIMETER, UNLESS OTHERWISE SPECIFIED AND ARE FOR REFERENCE ONLY.
- THIS DRAWING TO BE INTERPRETED PER ASME Y14.5M-2009.
- MATERIAL: BODY - TIN PLATED ALUMINUM
SCREW - CLEAR COATED ALUMINUM
INSULATION - PLASTISOL
CAPS - POLYETHOLENE
- OPERATING TEMPERATURE - -40°C TO 135°C.
- VOLTAGE RATING - 600 V.
- AMPERAGE RATING - 420 A.

TO ORDER BURNDY® PRODUCTS CALL		FULLY INSULATED DISTRIBUTION BLOCKS-UNITAP™	
UNITED STATES 1-800-346-4175 (LONDONDERRY, NH)		ITEM NO: SEE TABLE	
CANADA: 1-800-361-6975 (QUEBEC) 1-800-387-6487 (ALL OTHER PROVINCES)		CAT. NO: SEE TABLE	
FOR PRODUCT INFO: http://www.burndy.com		DRAWN BY: T.REYNOLDS 8/14/2014	
		CHECKER: T.REYNOLDS 8/27/2014	
		DSN APRVL: T.REYNOLDS 12/20/2015	
		MFG APRVL: --	
		QA APRVL: C. KOWALCZYK 12/20/2015	
		MKT APRVL: M.BAILLY 12/20/2015	
		PROD FAM: --	
		DRAWING NO	
		50046931	
		REV	
		E	
		SHEET 13 OF 15	

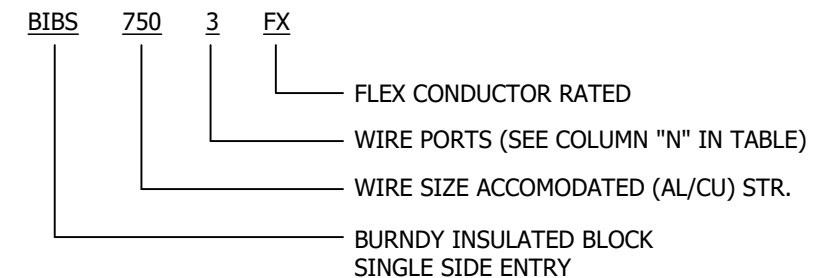
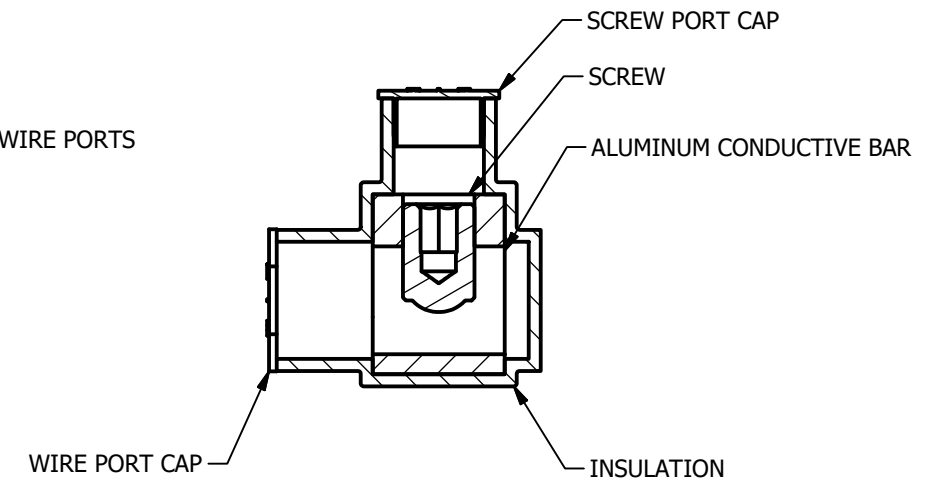
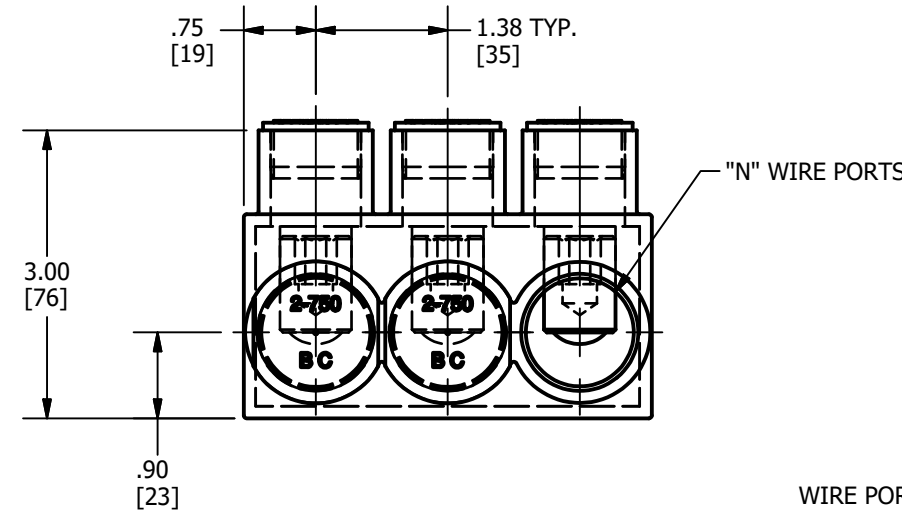
CATALOG NUMBER	ITEM NUMBER	L	N	STRIP LENGTH +/- 1/32	COLOR CODE
BIBS7503FX	50046862	4.000	3	1 - 7/16	BLACK
BIBS7504FX	50046863	5.375	4		
BIBS7506FX	50046864	8.125	6		
BIBS7508FX	50046865	10.875	8		
BIBS75010FX	50046866	13.625	10		
BIBS75012FX	50046867	16.375	12		
BIBS75014FX	50046868	19.125	14		

Wire Range	Torque, in-lbs	
#2 awg - 750 kcmil	#2-1/0	300
	2/0-4/0	350
	250-750	400

REV	DATE	DESCRIPTION	ECO	BY	C'H'K.
E	04/07/2020	UPDATED SHEET TABLES	53308	JL	TR



FEATURES	BENEFITS
PLASTISOL COVERED AL 6060-T6 BODY	SAVES TIME, LOWERS INSTALLATION COST, ELIMINATES TAPING
CLEAR PLASTISOL	ALLOWS VISUAL CONFIRMATION THAT CONDUCTOR IS PROPERLY INSERTED
OXIDE-INHIBITOR IS PREFILLED	INHIBITS MOISTURE AND CONTAMINANTS FROM ENTERING THE CONTACT AREA
RANGE-TAKING IN BOTH CODE AND FLEX	REDUCES THE NUMBER OF CONNECTORS CARRIED IN INVENTORY
WIRE AND SCREW PORT COVERS	PROTECTS AGAINST CONTAMINATION AND ACCIDENTAL CONTACT OF ENERGIZED PARTS.
WIRE RANGE AND TORQUE REQUIREMENTS PRINTED ONTO THE CAPS	ALLOWS FOR EASY REFERENCE TO IMPORTANT INSTALLATION INFORMATION



NOTES:

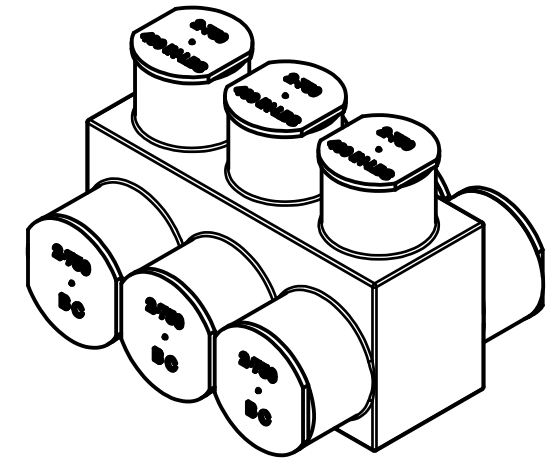
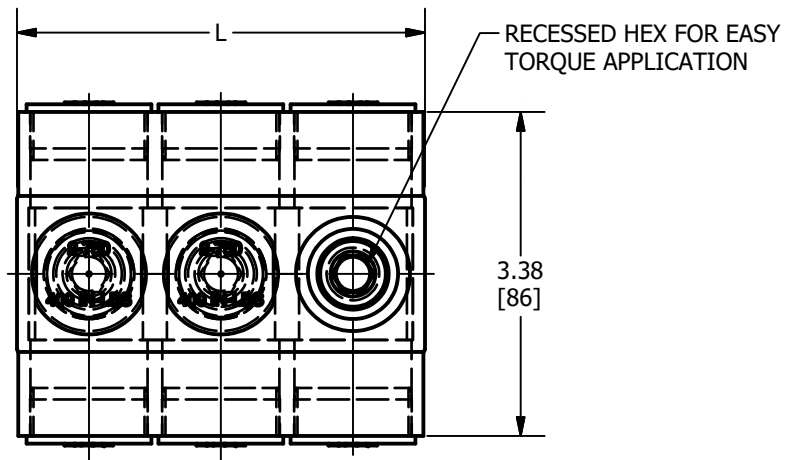
- DIMENSIONS IN BRACKETS [] ARE IN MILLIMETERS ROUNDED OFF TO THE NEAREST MILLIMETER, UNLESS OTHERWISE SPECIFIED AND ARE FOR REFERENCE ONLY.
- THIS DRAWING TO BE INTERPRETED PER ASME Y14.5M-2009.
- MATERIAL: BODY - TIN PLATED ALUMINUM
SCREW - CLEAR COATED ALUMINUM
INSULATION - PLASTISOL
CAPS - POLYETHOLENE
- OPERATING TEMPERATURE - -40°C TO 135°C.
- VOLTAGE RATING - 600 V.
- AMPERAGE RATING - 475 A.

TO ORDER BURNDY® PRODUCTS CALL UNITED STATES 1-800-346-4175 (LONDONDERRY, NH) CANADA: 1-800-361-6975 (QUEBEC) 1-800-387-6487 (ALL OTHER PROVINCES) FOR PRODUCT INFO: http://www.burndy.com	FULLY INSULATED DISTRIBUTION BLOCKS-UNITAP™	
	ITEM NO: SEE TABLE CAT. NO: SEE TABLE	
DRAWN BY: T.REYNOLDS 8/14/2014	CHECKER: T.REYNOLDS 8/27/2014	
DSN APRVL: T.REYNOLDS 12/20/2015	MFG APRVL: --	
QA APRVL: C. KOWALCZYK 12/20/2015	MKT APRVL: M.BAILLY 12/20/2015	
PROD FAM: --	DRAWING NO	
PROJECT #: LM15085	SIZE	
DOCUMENT TYPE: SALES	50046931	REV
REL LEVEL: Released	B	E
	SHEET 14 OF 15	

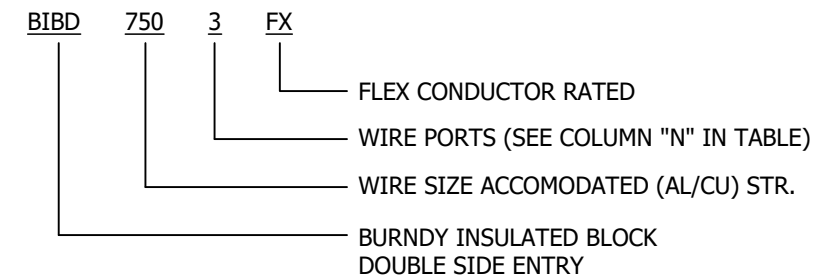
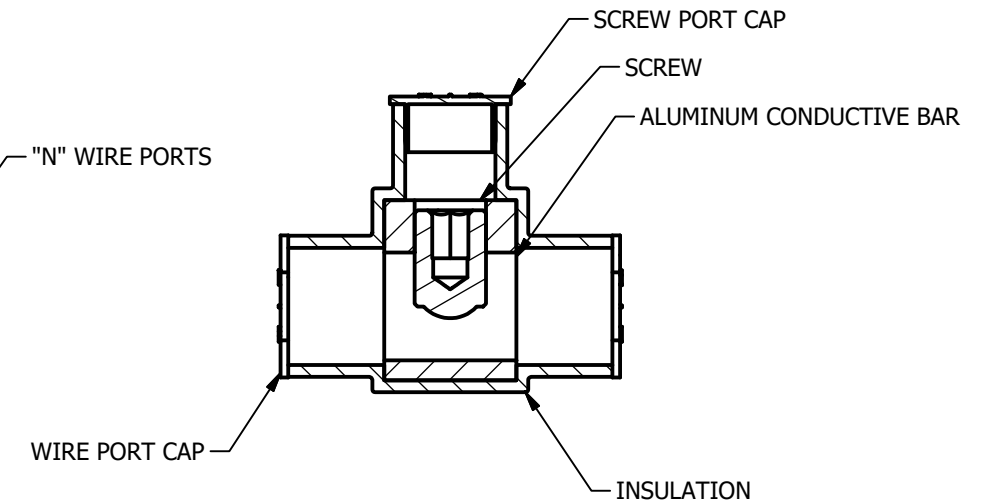
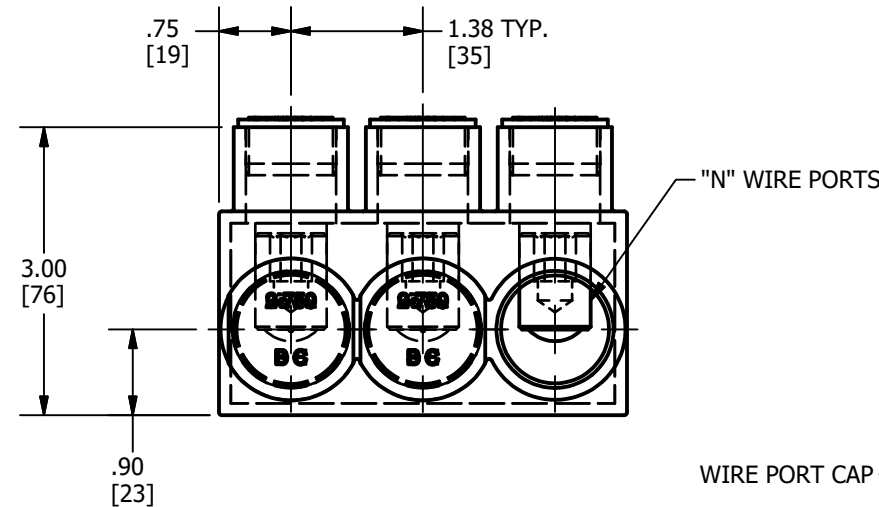
CATALOG NUMBER	ITEM NUMBER	L	N	STRIP LENGTH +/- 1/32	COLOR CODE
BIBD7502FX	50046917	2.625	2	1- 7/16	BLACK
BIBD7503FX	50046918	4.000	3		
BIBD7504FX	50046919	5.375	4		
BIBD7506FX	50046920	8.125	6		
BIBD7508FX	50046921	10.875	8		
BIBD75010FX	50046922	13.625	10		
BIBD75012FX	50046923	16.375	12		
BIBD75014FX	50046924	19.125	14		

Wire Range	Torque, in-lbs	
#2 awg - 750 kcmil	#2-1/0	300
	2/0-4/0	350
	250-750	400

REV	DATE	DESCRIPTION	ECO	BY	C'H'K.
E	04/07/2020	UPDATED SHEET TABLES	53308	JL	TR



FEATURES	BENEFITS
PLASTISOL COVERED AL 6060-T6 BODY	SAVES TIME, LOWERS INSTALLATION COST, ELIMINATES TAPING
CLEAR PLASTISOL	ALLOWS VISUAL CONFIRMATION THAT CONDUCTOR IS PROPERLY INSERTED
OXIDE-INHIBITOR IS PREFILLED	INHIBITS MOISTURE AND CONTAMINANTS FROM ENTERING THE CONTACT AREA
RANGE-TAKING IN BOTH CODE AND FLEX	REDUCES THE NUMBER OF CONNECTORS CARRIED IN INVENTORY
WIRE AND SCREW PORT COVERS	PROTECTS AGAINST CONTAMINATION AND ACCIDENTAL CONTACT OF ENERGIZED PARTS.
WIRE RANGE AND TORQUE REQUIREMENTS PRINTED ONTO THE CAPS	ALLOWS FOR EASY REFERENCE TO IMPORTANT INSTALLATION INFORMATION



NOTES:

- DIMENSIONS IN BRACKETS [] ARE IN MILLIMETERS ROUNDED OFF TO THE NEAREST MILLIMETER, UNLESS OTHERWISE SPECIFIED AND ARE FOR REFERENCE ONLY.
- THIS DRAWING TO BE INTERPRETED PER ASME Y14.5M-2009.
- MATERIAL: BODY - TIN PLATED ALUMINUM
SCREW - CLEAR COATED ALUMINUM
INSULATION - PLASTISOL
CAPS - POLYETHOLENE
- OPERATING TEMPERATURE - -40°C TO 135°C.
- VOLTAGE RATING - 600 V.
- AMPERAGE RATING - 475 A.

TO ORDER BURNDY® PRODUCTS CALL		FULLY INSULATED DISTRIBUTION BLOCKS-UNITAP™	
UNITED STATES 1-800-346-4175 (LONDONDERRY, NH)		ITEM NO: SEE TABLE	
CANADA: 1-800-361-6975 (QUEBEC) 1-800-387-6487 (ALL OTHER PROVINCES)		CAT. NO: SEE TABLE	
FOR PRODUCT INFO: http://www.burndy.com		DRAWN BY: T.REYNOLDS 8/14/2014	
		CHECKER: T.REYNOLDS 8/27/2014	
		DSN APRVL: T.REYNOLDS 12/20/2015	
		MFG APRVL: --	
		QA APRVL: C. KOWALCZYK 12/20/2015	
		MKT APRVL: M.BAILLY 12/20/2015	
PROD FAM: --	DRAWING NO	REV	
PROJECT #: LM15085	SIZE	50046931	E
DOCUMENT TYPE: SALES	B	SHEET 15 OF 15	
REL LEVEL: Released			