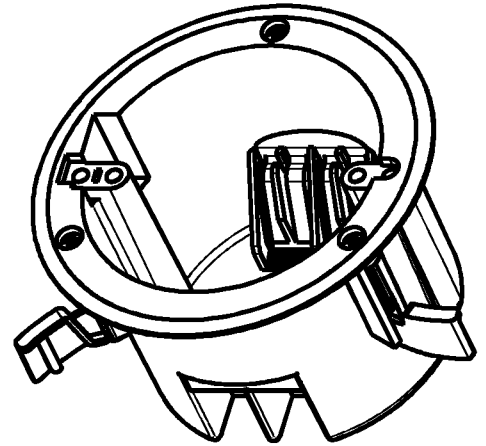
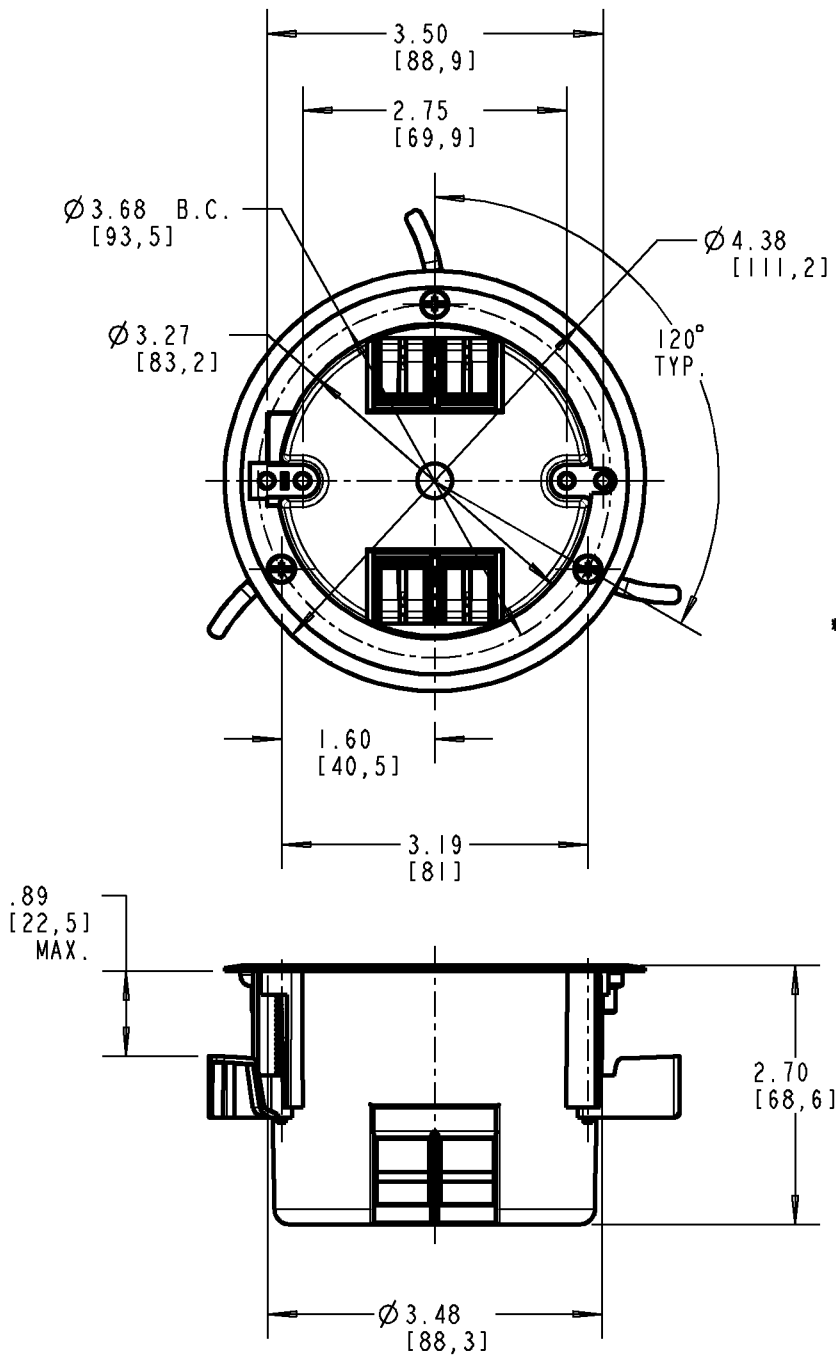


# Carlton®



## WARNING!

- \* SOLVENTS CANNOT BE APPLIED TO ANY POLYCARBONATE ELECTRICAL BOXES.
- \* DO NOT SPRAY PAINT POLYCARBONATE ELECTRICAL BOXES WITH ANY SOLVENT-BASED PAINT.
- \* DO NOT SPRAY PAINT POLYCARBONATE ELECTRICAL BOXES WITH SPRAY PAINT APPLICATION WHICH INCLUDES ANY SOLVENT.

### NOTE:

1. (2) 6-20X1-1/2" PAN HEAD SCREWS & SWING CLAMPS INCLUDED.

P/N  
 B618RPR  
 B618RP-UPC  
 B818RR  
 B618RR-UPC  
 B618R-UPC

### GENERAL NOTES

1. ALL DIMENSIONS ARE FOR REFERENCE ONLY.
2. DIMENSIONS IN BRACKETS [ ] ARE IN METRIC UNITS.

### REVISIONS

D SEE ERN 2016537 FOR APPROVAL SIGNATURES & RELEASE DATE.  
 PROJECT NO: NM400330

**Thomas & Betts**  
 www.tnb.com

DESCRIPTION: **18 CU. IN. VOL. OLD WORK BOX**

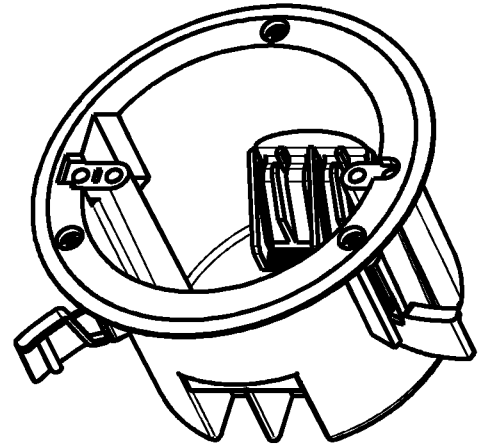
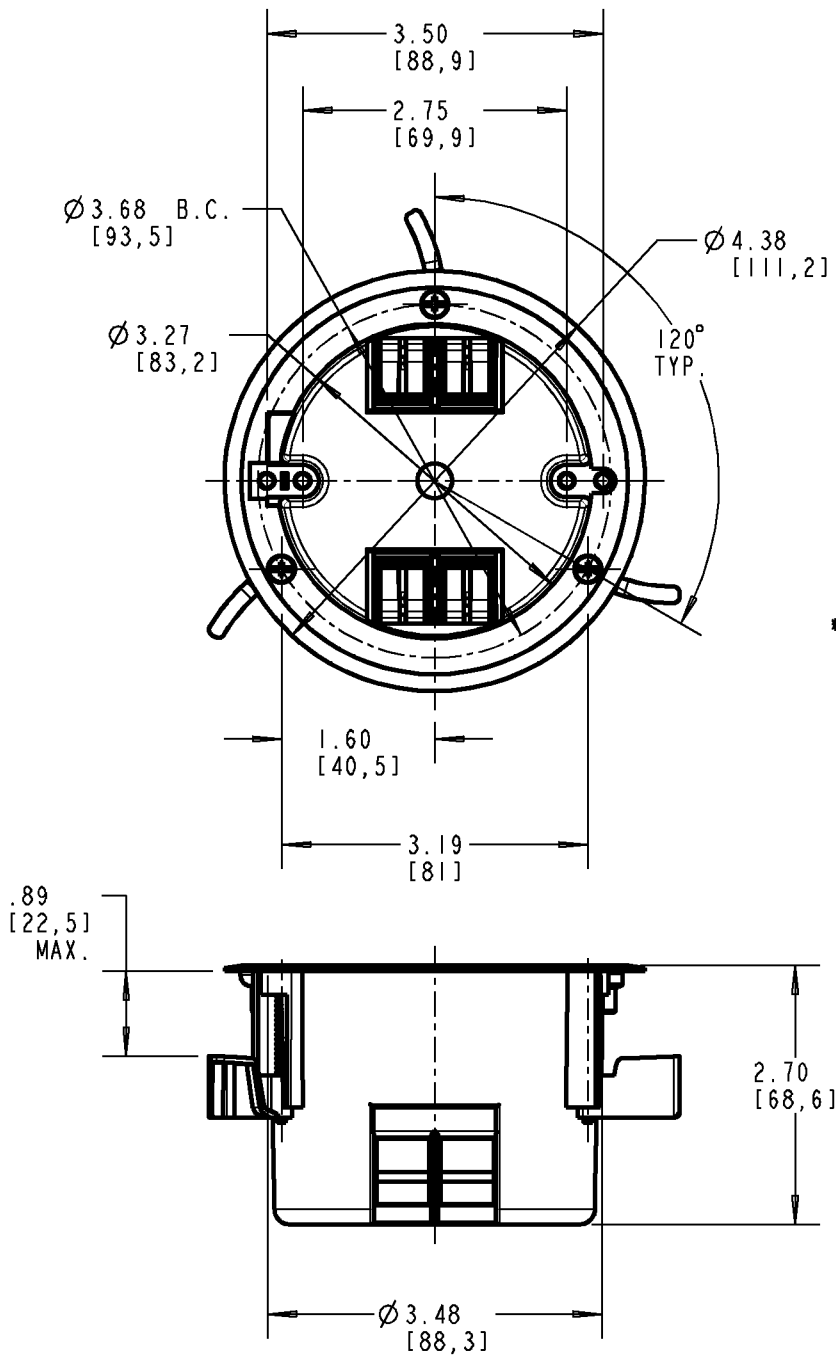
ORIGINAL PROJECT NO / ( ERN NO )  
 / ( )

SHEET NO:  
 1 OF 1

REV. NO:  
 D

DRAWING NO:  
**WSD-AC02070**

# Carlton®



## WARNING!

- \* SOLVENTS CANNOT BE APPLIED TO ANY POLYCARBONATE ELECTRICAL BOXES.
- \* DO NOT SPRAY PAINT POLYCARBONATE ELECTRICAL BOXES WITH ANY SOLVENT-BASED PAINT.
- \* DO NOT SPRAY PAINT POLYCARBONATE ELECTRICAL BOXES WITH SPRAY PAINT APPLICATION WHICH INCLUDES ANY SOLVENT.

NOTE:  
1. (2) 6-20X1-1/2" PAN HEAD SCREWS  
& SWING CLAMPS INCLUDED.

P/N  
B618RPR  
B618RP-UPC  
B818RR  
B618RR-UPC  
B618R-UPC

### GENERAL NOTES

1. ALL DIMENSIONS ARE FOR REFERENCE ONLY.
2. DIMENSIONS IN BRACKETS [ ] ARE IN METRIC UNITS.

### REVISIONS

D SEE ERN 2016537  
FOR APPROVAL SIGNATURES  
& RELEASE DATE.  
PROJECT NO: NM400330

**Thomas & Betts**  
www.tnb.com

DESCRIPTION: **18 CU. IN. VOL. OLD WORK BOX**

ORIGINAL PROJECT NO / ( ERN NO )  
/ ( )

SHEET NO:  
1 OF 1

REV. NO:  
D

DRAWING NO:  
**WSD-AC02070**