

## B351L - Steel C-Clamp With Locknut

**Size Range:** 3/8"-16 thru 7/8"-9 rod

**Material:** Steel

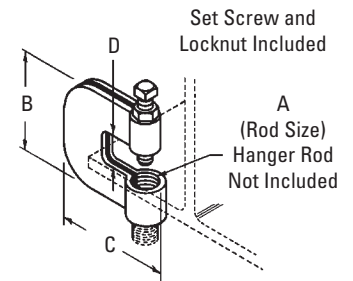
**Function:** For attachment to I-beams, channels, and wide flange beams where the thickness does not exceed 3/4" (19.0mm). Hardened set screw secures "C" Clamp to beam.

**Approvals:** B351L (3/8"-16 thru 3/4"-10), is Underwriters Laboratories Listed in the USA (UL) and Canada (cUL). Conforms to Federal Specification WW-H-171E & A-A-1192A, Type 23 and Manufacturers Standardization Society ANSI/MSS SP-69 & SP-58, Type 23.

**Finish:** Plain. Contact customer service for alternative finishes and materials.

**Note:** When retaining strap is required, order B3362 thru B3365 separately. See page 29.

**Order By:** Part number and finish



| Part No.  | Rod Size A | B      |        | C      |        | D    |        | Design Load Lbs. (kN) | Maximum Iron Pipe Size Per UL |       | Approx. Wt./100 Lbs. (kg) |
|-----------|------------|--------|--------|--------|--------|------|--------|-----------------------|-------------------------------|-------|---------------------------|
|           |            | in.    | (mm)   | in.    | (mm)   | in.  | (mm)   |                       | in.                           | (mm)  |                           |
| B351L-3/8 | 3/8"-16    | 2 3/8" | (60.3) | 2 3/8" | (60.3) | 3/4" | (19.0) | 300 (0.89)            | 4"                            | (100) | 41 (18.6)                 |
| B351L-1/2 | 1/2"-13    | 2 3/8" | (60.3) | 2 3/8" | (60.3) | 3/4" | (19.0) | 380 (1.69)            | 6"                            | (150) | 41 (18.6)                 |
| B351L-5/8 | 5/8"-11    | 2 3/8" | (60.3) | 2 1/4" | (57.1) | 3/4" | (19.0) | 550 (2.44)            | 6"                            | (150) | 60 (27.2)                 |
| B351L-3/4 | 3/4"-10    | 2 3/8" | (60.3) | 2 1/4" | (57.1) | 3/4" | (19.0) | 630 (2.80)            | 6"                            | (150) | 71 (32.2)                 |
| B351L-7/8 | 7/8"-9     | 3"     | (76.2) | 3 1/4" | (82.5) | 1"   | (25.4) | 1200 (5.34)           | --                            | --    | 184 (83.4)                |

**Note:** See page 27 for recommended setscrew torque.

## B3036L - Malleable Iron C-Clamp With Locknut

**Size Range:** 3/8"-16 thru 3/4"-10 rod

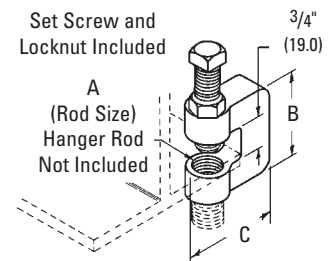
**Material:** Malleable Iron

**Function:** Designed for attaching a hanger rod to the flange of a beam.

**Approvals:** B3036L is Underwriters Laboratories Listed in the USA (UL) and Canada (cUL). Complies with Federal Specification WW-H-171E & A-A-1192A Type 23 and Manufacturers Standardization Society ANSI/MSS SP-69 & SP-58 Type 23.

**Finish:** Plain or Electro-Galvanized

**Order By:** Part number and finish. When retaining strap is required, order B3362 thru B3365 separately. See page 29.



| Part No.   | Rod Size A | B      |        | C      |        | Design Load Lbs. (kN) | Maximum Iron Pipe Size Per UL |       | Approx. Wt./100 Lbs. (kg) |
|------------|------------|--------|--------|--------|--------|-----------------------|-------------------------------|-------|---------------------------|
|            |            | in.    | (mm)   | in.    | (mm)   |                       | in.                           | (mm)  |                           |
| B3036L-3/8 | 3/8"-16    | 1 3/4" | (44.4) | 1 3/4" | (44.4) | 300 (0.89)            | 4"                            | (100) | 41 (18.6)                 |
| B3036L-1/2 | 1/2"-13    | 1 3/4" | (44.4) | 1 3/4" | (44.4) | 380 (1.69)            | 5"                            | (125) | 41 (18.6)                 |
| B3036L-5/8 | 5/8"-11    | 2"     | (50.8) | 1 7/8" | (47.6) | 530 (2.36)            | 6"                            | (150) | 60 (27.2)                 |
| B3036L-3/4 | 3/4"-10    | 2"     | (50.8) | 2"     | (50.8) | 530 (2.36)            | 6"                            | (150) | 71 (32.2)                 |

**Note:** See page 27 for recommended setscrew torque.

All dimensions in charts and on drawings are in inches. Dimensions shown in parentheses are in millimeters unless otherwise specified.

# Beam Clamps

## B3362, B3363, B3364, B3365 - Retaining Strap

**Size Range:** 6" (152.4mm) to 12" (304.8mm) lengths

**Material:** Steel (Stainless Steel available)

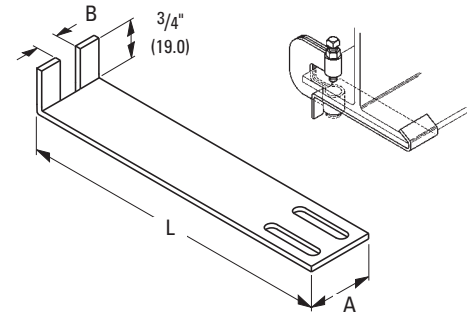
**Finish:** Pre-Galvanized

**Function:** Designed for use with B351L and B3036L C-Clamps.

**Order By:** Part number, length 'L', (add 1" (25.4) minimum to flange width), and finish.

**Note:** Requires field forming on beam.

| Flange Width |           | Length L    |
|--------------|-----------|-------------|
| in.          | (mm)      | in. (mm)    |
| 3"-5"        | (76-127)  | 6" (152.4)  |
| 5"-7"        | (127-178) | 8" (203.2)  |
| 7"-9"        | (178-228) | 10" (254.0) |
| 9"-11"       | (228-279) | 12" (304.8) |



Material Thickness  
12 Gauge (2.7)



| Part No. | For Use With  | A      |        | B       |        | Approx. Wt./100 for Length 'L' of |            |             |             |      |        |      |        |
|----------|---|--------|--------|---------|--------|-----------------------------------|------------|-------------|-------------|------|--------|------|--------|
|          |   | in.    | (mm)   | in.     | (mm)   | 6" (152.4)                        | 8" (203.2) | 10" (254.0) | 12" (304.8) |      |        |      |        |
|          |   |        |        |         |        | Lbs.                              | (kg)       | Lbs.        | (kg)        | Lbs. | (kg)   | Lbs. | (kg)   |
| B3362-L  | B351L- <sup>3</sup> / <sub>8</sub> & 1/2  | 1 1/4" | (31.7) | 7/16"   | (11.1) | 27                                | (12.2)     | 35          | (15.9)      | 44   | (19.9) | 52   | (23.6) |
| B3363-L  | B351L- <sup>5</sup> / <sub>8</sub> & <sup>3</sup> / <sub>4</sub> ,<br>B3036L- <sup>3</sup> / <sub>8</sub> & 1/2 | 1 1/4" | (31.7) | 5/8"    | (15.9) | 26                                | (11.8)     | 35          | (15.9)      | 43   | (19.5) | 52   | (23.6) |
| B3364-L  | B3036L- <sup>5</sup> / <sub>8</sub> & <sup>3</sup> / <sub>4</sub>   | 1 1/4" | (31.7) | 1 1/16" | (17.4) | 26                                | (11.8)     | 35          | (15.9)      | 43   | (19.5) | 52   | (23.6) |
| B3365-L  | B351L- <sup>7</sup> / <sub>8</sub>  | 1 1/2" | (38.1) | 3/4"    | (19.0) | 32                                | (14.5)     | 42          | (19.0)      | 52   | (23.6) | 62   | (28.1) |

Beam Clamps

## B3037 - Z-Purlin Malleable C-Clamp

**Material:** Malleable Iron

**Function:** Designed for attaching a <sup>3</sup>/<sub>8</sub>"-16 hanger rod to the bottom flange of a Z-purlin.

**Approvals:** Underwriters Laboratories Listed in the USA (UL) and Canada (cUL) for up to 4" (100mm) pipe. Conforms to Federal Specification WW-H-171E & A-A-1192A, Type 23 and Manufacturers Standardization Society ANSI/MSS SP-69 & SP-58, Type 23.

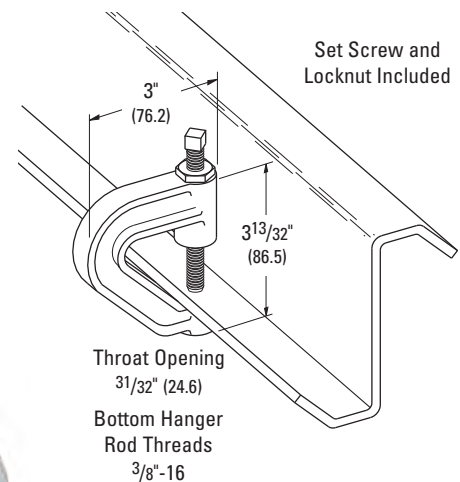
**Finish:** Plain or Electro-Galvanized

**Order By:** Part number and finish.

**Weight:** Approx. Wt./100 90 Lbs. (40.8kg)

**Design Load:** 400 Lbs. (1.78kN)

**Note:** See page 27 for recommended setscrew torque.



## B3031-3/8 - Light Duty Malleable C-Clamp

**Material:** Malleable Iron

**Function:** Designed for attaching a 3/8"-16 hanger rod to the top or bottom flange of a beam or bar joist when setscrew is in the down position as shown.

**Approvals:** Underwriters Laboratories Listed in the USA (UL) and Canada (cUL) for up to 4" pipe. Conforms to Federal Specification WW-H-171E & A-A-1192A, Type 19 and Manufacturers Standardization Society ANSI/MSS SP-69 & SP-58, Type 19.

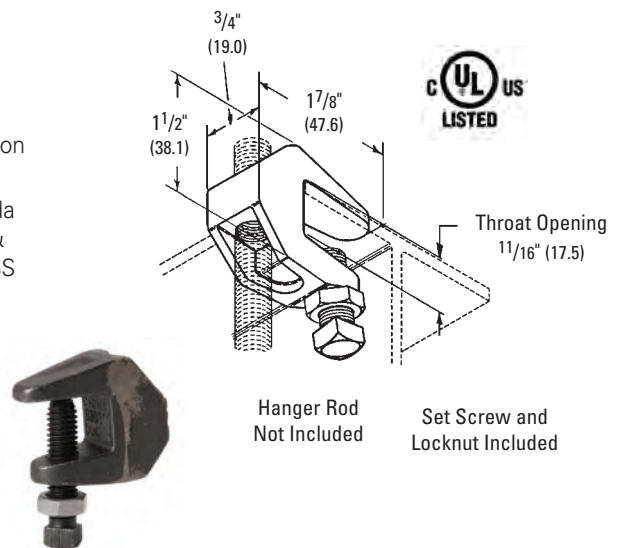
**Finish:** Plain or Electro-Galvanized

**Order By:** Part number and finish. When retaining strap is required, order Fig. 69 separately. See Page 37.

**Weight:** Approx. Wt./100 25 Lbs. (11.3kg)

**Design Load:** 350 Lbs. (1.55kN)

**Note:** See page 27 for recommended setscrew torque.



## B3033 - Wide Jaw Reversible C-Clamp

**Size Range:** 3/8"-16 thru 3/4"-10 rod

**Material:** Cast Malleable Steel with hardened cup point set screw and jam nut

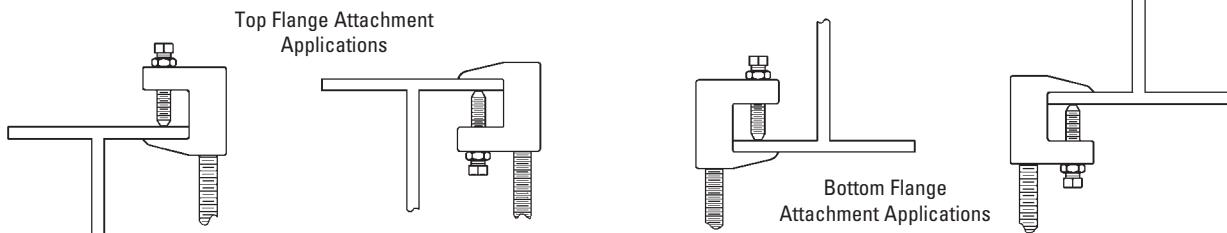
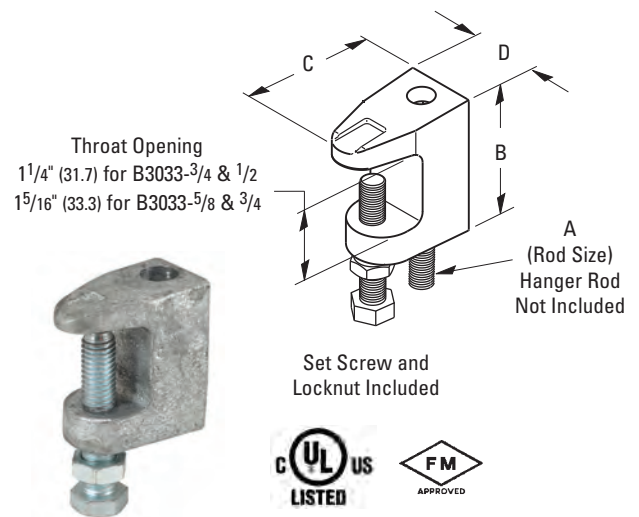
**Function:** For attachment to structural shapes requiring wider throat especially under roof with bar joist construction. This clamp may be used with the set screw in the up or down position.

**Approvals:** Underwriters Laboratories Listed in the USA (UL) and Canada (cUL), and Factory Mutual Engineering Approved (FM). Conforms to Federal Specification WW-H-171E Type 19 & A-A-1192A, Type 19 & 23 and Manufacturers Standardization Society ANSI/MSS SP-69 & SP-58, Type 19 & 23.

**Finish:** Plain. Contact customer service for alternative finishes and materials.

**Order By:** Part number, rod size and finish

**Note:** Do not over tighten set screw.



| Part No.  | Rod Size<br>A | B        |        | C       |        | D       |        | Design Load with Setscrew |        | Maximum Iron Pipe Size Per UL |       | Approx. Wt./100<br>Lbs. (kg) |
|-----------|---------------|----------|--------|---------|--------|---------|--------|---------------------------|--------|-------------------------------|-------|------------------------------|
|           |               | in.      | (mm)   | in.     | (mm)   | in.     | (mm)   | Lbs.                      | (kN)   | in.                           | (mm)  |                              |
| B3033-3/8 | 3/8"-16       | 2 1/4"   | (57.1) | 2"      | (50.8) | 1 1/8"  | (28.6) | 500                       | (2.22) | 4"                            | (100) | 54 (24.5)                    |
| B3033-1/2 | 1/2"-13       | 2 5/16"  | (58.7) | 2 3/16" | (55.6) | 1 1/4"  | (31.7) | 810                       | (3.60) | 8"                            | (200) | 51 (23.1)                    |
| B3033-5/8 | 5/8"-11       | 2 5/8"   | (66.7) | 2 1/2"  | (63.5) | 1 3/8"  | (34.9) | 1000                      | (4.45) | 8"                            | (200) | 70 (31.7)                    |
| B3033-3/4 | 3/4"-10       | 2 11/16" | (68.3) | 2 1/2"  | (63.5) | 1 7/16" | (36.5) | 1400                      | (6.23) | 10"                           | (250) | 98 (44.4)                    |

**Note:** See page 27 for recommended setscrew torque.

All dimensions in charts and on drawings are in inches. Dimensions shown in parentheses are in millimeters unless otherwise specified.

# Beam Clamps

## B3034 - C-Clamp

**Size Range:** 3/8"-16 thru 3/4"-10 rod

**Material:** Cast Malleable Steel with hardened cup point set screw and jam nut

**Function:** Recommended for hanging from steel beam where flange thickness does not exceed 3/4" (19.0mm).

**Features:** May be used on top or bottom flange of the beam. Beveled lip allows hanging from top flange where clearance is limited. may be installed with the set screw in the up or down position. Offset design permits unlimited rod adjustment by allowing the rod to be threaded completely through the clamp. The rear window design permits inspection of thread engagement.

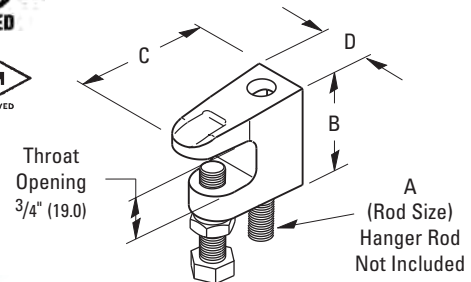
**Approvals:** Underwriters Laboratories Listed in the USA (UL) and Canada (cUL), and Factory Mutual Engineering Approved (FM) for 3/8"-16 and 1/2"-13 rod sizes. Conforms to Federal Specification WW-H-171E & A-A-1192A, Type 19 & 23 and Manufacturers Standardization Society ANSI/MSS SP-69 & SP-58, Type 19 & 23. 3/8"-16 is (cULus) Listed to support up to 4" (100mm) pipe with the set screw in the down position, up to 3" (75mm) pipe with the set screw in the up position. 1/2"-13 is (cULus) Listed to support up to 8" (200mm) pipe with the set screw in the down position, up to 6" (150mm) pipe with the set screw in the up position.

**Finish:** Plain. Contact customer service for alternative finishes and materials.

**Order By:** Part number and finish



B3034-3/8" and B3034-1/2" sizes  
Attach only as shown.

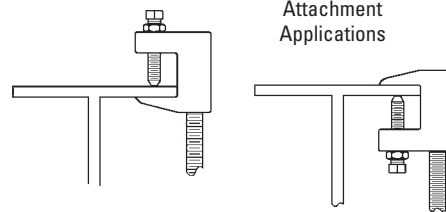


Set Screw and Locknut Included

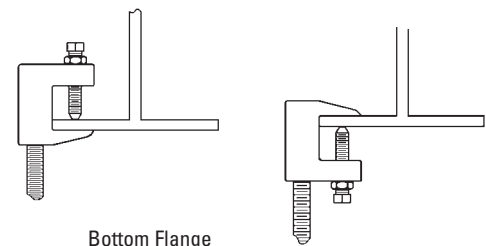


B3034-3/8  
Shown

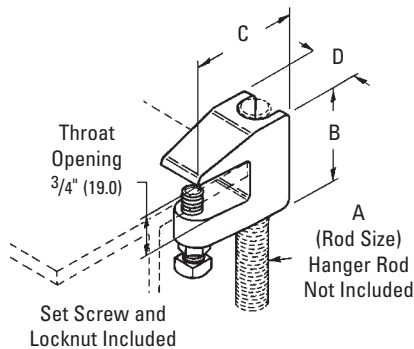
Top Flange  
Attachment  
Applications



Bottom Flange  
Attachment  
Applications



B3034-5/8" and B3034-3/4" sizes  
Attach only as shown.



| Part No.  | Rod Size<br>A | B        |        | C       |        | D       |        | Design Load with Setscrew |        | Maximum Iron Pipe Size Per UL |       | Approx. Wt./100 |        |
|-----------|---------------|----------|--------|---------|--------|---------|--------|---------------------------|--------|-------------------------------|-------|-----------------|--------|
|           |               | in.      | (mm)   | in.     | (mm)   | in.     | (mm)   | Lbs.                      | (kN)   | in.                           | (mm)  | Lbs.            | (kg)   |
| B3034-3/8 | 3/8"-16       | 1 5/8"   | (41.3) | 2"      | (50.8) | 7/8"    | (19.0) | 560                       | (2.49) | 4"                            | (100) | 30              | (13.6) |
| B3034-1/2 | 1/2"-13       | 1 13/16" | (46.0) | 2 3/16" | (55.6) | 1 3/16" | (30.2) | 810                       | (3.60) | 8"                            | (200) | 47              | (21.3) |
| B3034-5/8 | 5/8"-11       | 1 3/4"   | (44.5) | 2 1/8"  | (54.0) | 1 1/4"  | (31.7) | 1000                      | (4.45) | --                            | --    | 58              | (26.3) |
| B3034-3/4 | 3/4"-10       | 2"       | (50.8) | 2 1/4"  | (57.2) | 1 1/4"  | (31.7) | 1500                      | (6.67) | --                            | --    | 77              | (35.0) |

**Note:** See page 27 for recommended setscrew torque.

All dimensions in charts and on drawings are in inches. Dimensions shown in parentheses are in millimeters unless otherwise specified.

## TOLCO™ Fig. 68S - Reversible Malleable Beam Clamp 3/4" (19.0mm) Throat Opening

## TOLCO™ Fig. 68W - Reversible Malleable Beam Clamp 1 1/4" (31.7mm) Throat Opening (bottom of page)

### Size Range:

3/8"-16 rod sizes thru 7/8"-9 rod sizes

**Material:** Cast Malleable Steel with hardened cup point set screw and jam nut

**Function:** Recommended for hanging from steel beam where flange thickness does not exceed 3/4" (19.0mm) on Fig. 68S or 1 1/4" (31.7mm) on Fig. 68W.

**Features:** May be used on top or bottom flange of beam. Beveled lip allows hanging from top flange where clearance is limited. May be installed with set screw in up or down position. Offset design permits unlimited rod adjustment by allowing the rod to be threaded completely through the clamp. The rear window design permits inspection of thread engagement.

**Approvals:** Factory Mutual Engineering Approved (FM). Underwriters Laboratories Listed in the USA (UL) and Canada (cUL), Conforms to Federal Specification WW-H-171E, Type 23 and Manufacturers Standardization Society SP-58, Type 19.

Fig. 68S-3/8 is (cULus) Listed to support up to 4" (100mm) pipe with the set screw in the down position and up to 3" (80mm) pipe with the set screw in the up position.

Fig. 68S-1/2 is (cULus) Listed to support up to 8" (200mm) pipe with the set screw in the down position and up to 6" (150mm) pipe with the set screw in the up position.

Fig. 68W-3/8 is (cULus) Listed to support up to 4" (100mm) pipe with the set screw in the down position and up to 4" (100mm) pipe with the set screw in the up position.

Fig. 68W-1/2 is (cULus) Listed to support up to 6" (150mm) pipe with the set screw in the down position and up to 6" (150mm) pipe with the set screw in the up position.

Factory Mutual Engineering Approved (FM) only with the set screw in the down position.

**(OSHPD).** For additional load spacing and placement information relating to OSHPD projects, please refer to the Seismic Restraint System Guidelines.

**Finish:** Plain. Contact customer service for Electro-Galvanized finish.

**Order By:** Part number and finish

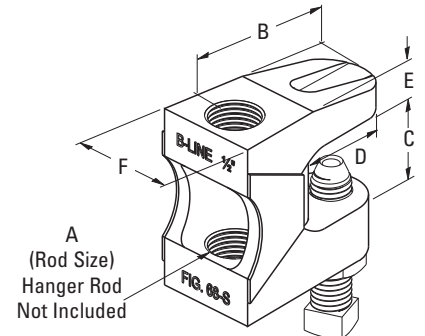


Fig. 68S

Set Screw and Locknut Included

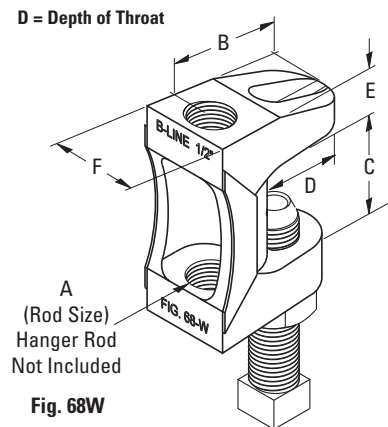


Fig. 68W

Set Screw and Locknut Included

Fig. 68S



Fig. 68W



Fig. 68S

| Part No. | Rod Size A | B in. (mm)    | C             |               | D in. (mm)   | E in. (mm)     | F in. (mm) | Max Rec. Load Set Screw Up Lbs. (kN) | Max Rec. Load Set Screw Down Lbs. (kN) | Approx. Wt./100 Lbs. (kg) |
|----------|------------|---------------|---------------|---------------|--------------|----------------|------------|--------------------------------------|--|---------------------------|
|          |            |               | Min. in. (mm) | in. (mm)      |              |                |            |                                      |  |                           |
| 68S-3/8  | 3/8"-16    | 19/16" (39.7) | 3/4" (19.0)   | 1 1/8" (28.6) | 7/16" (11.1) | 7/8" (22.2)    | 610 (2.71) | 610 (2.71)                           | 32 (14.5)                              |                           |
| 68S-1/2  | 1/2"-13    | 15/8" (41.3)  | 3/4" (19.0)   | 1" (25.4)     | 7/16" (11.1) | 1 1/8" (28.6)  | 750 (3.33) | 1130 (5.02)                          | 54 (24.5)                              |                           |
| 68S-5/8  | 5/8"-11    | 19/16" (39.7) | 3/4" (19.0)   | 1" (25.4)     | 9/16" (14.3) | 1 1/8" (28.6)  | 750 (3.33) | 1130 (5.02)                          | 50 (22.7)                              |                           |
| 68S-3/4  | 3/4"-10    | 13/4" (44.4)  | 3/4" (19.0)   | 1 1/8" (28.6) | 9/16" (14.3) | 1 1/4" (31.7)  | 750 (3.33) | 1130 (5.02)                          | 81 (36.7)                              |                           |
| 68S-7/8  | 7/8"-9     | 13/4" (44.4)  | 3/4" (19.0)   | 1 1/8" (28.6) | 9/16" (14.3) | 1 5/16" (33.3) | 750 (3.33) | 1130 (5.02)                          | 75 (34.0)                              |                           |

Fig. 68W

| Part No. | Rod Size A | B in. (mm)    | C             |               | D in. (mm)   | E in. (mm)     | F in. (mm) | Max Rec. Load Set Screw Up Lbs. (kN) | Max Rec. Load Set Screw Down Lbs. (kN) | Approx. Wt./100 Lbs. (kg) |
|----------|------------|---------------|---------------|---------------|--------------|----------------|------------|--------------------------------------|--|---------------------------|
|          |            |               | Min. in. (mm) | in. (mm)      |              |                |            |                                      |  |                           |
| 68W-3/8  | 3/8"-16    | 19/16" (39.7) | 1 1/4" (31.7) | 1 1/8" (28.6) | 7/16" (11.1) | 7/8" (22.2)    | 610 (2.71) | 610 (2.71)                           | 41 (18.6)                              |                           |
| 68W-1/2  | 1/2"-13    | 19/16" (39.7) | 1 1/4" (31.7) | 1" (25.4)     | 5/8" (15.9)  | 1 1/8" (28.6)  | 750 (3.33) | 1130 (5.02)                          | 66 (29.9)                              |                           |
| 68W-5/8  | 5/8"-11    | 1 1/2" (38.1) | 1 1/4" (31.7) | 1" (25.4)     | 9/16" (14.3) | 1 1/8" (28.6)  | 750 (3.33) | 1130 (5.02)                          | 68 (30.8)                              |                           |
| 68W-3/4  | 3/4"-10    | 13/4" (44.4)  | 1 1/4" (31.7) | 1 1/8" (28.6) | 3/8" (19.5)  | 1 1/4" (31.7)  | 750 (3.33) | 1130 (5.02)                          | 110 (49.9)                             |                           |
| 68W-7/8  | 7/8"-9     | 13/4" (44.4)  | 1 1/4" (31.7) | 1 1/8" (28.6) | 9/16" (14.3) | 1 5/16" (33.3) | 750 (3.33) | 1130 (5.02)                          | 98 (44.4)                              |                           |

**Note:** See page 27 for recommended setscrew torque.

All dimensions in charts and on drawings are in inches. Dimensions shown in parentheses are in millimeters unless otherwise specified.

# Beam Clamps

## TOLCO™ Fig. 65 - Reversible Steel C-Type Beam Clamp 3/4" (19.0mm) Throat Opening

## TOLCO™ Fig. 65XT - Reversible Steel C-Type Beam Clamp 3/4" (19.0mm) Throat Opening (bottom of page)

### Size Range:

Fig. 65 - 1/2"-13 rod sizes, and 5/8"-11 rod sizes

Fig. 65XT - 3/8"-16 rod size (see below)

**Material:** Steel with hardened cup point set screw and jam nut

**Function:** Recommended for hanging from steel beam where flange thickness does not exceed 3/4" (19.0mm).

**Features:** All steel construction eliminates structural deficiencies associated with casting type beam clamps. May be used on top or bottom flange of beam. (Beveled lip allows hanging from top flange where clearance is limited.) May be installed with set screw in up or down position. Offset design permits unlimited rod adjustment by allowing the rod to be threaded completely through the clamp. Open design permits inspection of thread engagement.

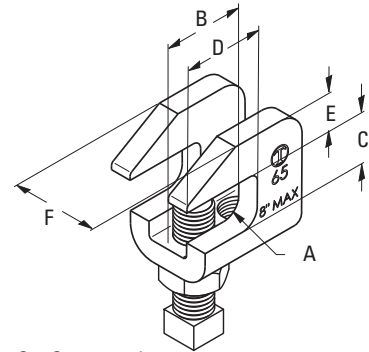
**Approvals:** Underwriters Laboratories Listed in the USA (UL) and Canada (cUL). Exceeds requirements of the National Fire Protection Association (NFPA), pamphlet 13, 3/8"-16 rod will support 1/2" (15mm) thru 4" (100mm) pipe  
1/2"-13 rod will support 1/2" (15mm) thru 8" (200mm) pipe  
Included in the Seismic Restraints Catalog approved by the State of California Office of Statewide Health Planning and Development (OSHPD). For additional load spacing and placement information relating OSHPD projects, please refer to the Seismic Restraint System Guidelines.

**Finish:** Plain. Contact customer service for alternative finishes and materials.

**Order By:** Part number and finish

**Fig. 65 Patent #4,570,885**

Component of State of California OSHPD Approved Seismic Restraints System



Set Screw and Locknut Included



| Part No. | Rod Size A | B in. (mm)    | C in. (mm)  | D in. (mm) | E in. (mm)   |
|----------|------------|---------------|-------------|------------|--------------|
| 65-1/2   | 1/2"-13    | 1 1/2" (38.1) | 3/4" (19.0) | 1" (25.4)  | 9/16" (14.3) |
| 65-5/8   | 5/8"-11    | 1 1/2" (38.1) | 3/4" (19.0) | 1" (25.4)  | 9/16" (14.3) |

| Part No. | F in. (mm)    | Mac Rec. Load * lbs. (kN) | Approx. Wt./100 lbs. (kg) |
|----------|---------------|---------------------------|---------------------------|
| 65-1/2   | 1 1/4" (31.7) | 1130 (5.02)               | 55 (24.9)                 |
| 65-5/8   | 1 1/4" (31.7) | 1130 (5.02)               | 55 (24.9)                 |

\* Maximum loads for clamp with set screw in up or down position.

**Note:** See page 27 for recommended setscrew torque.

## Fig. 65XT-3/8 - Beam Clamp

**Feature:** Extruded holes allow for more thread engagement of threaded rod and set screw.

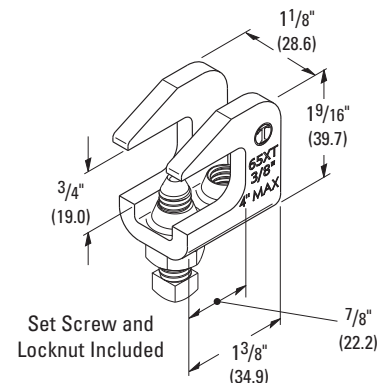
**Weight:** Approx. Wt./100 - 28.0 Lbs. (12.7kg)

**Design Load:** 730 Lbs (3.25kN)

**Finish:** Plain or Electro-Galvanized

**Order By:** Part number and finish

**Approvals:** Underwriters Laboratories Listed in the USA (UL) and Canada (cUL), and Factory Mutual Engineering Approved (FM) for up to 4" (100mm) pipe.



Set Screw and Locknut Included

**Note:** See page 27 for recommended setscrew torque.

All dimensions in charts and on drawings are in inches. Dimensions shown in parentheses are in millimeters unless otherwise specified.

## TOLCO™ Fig. 66 - Reversible Steel C-Type Beam Clamp 1 1/4" (31.7mm) Throat Opening

**Size Range:** 3/8"-16, 1/2"-13 rod sizes, and 5/8"-11 rod sizes

**Material:** Steel with hardened cup point set screw and jam nut

**Function:** Recommended for hanging from steel beam where flange thickness does not exceed 1 1/4" (31.7mm).

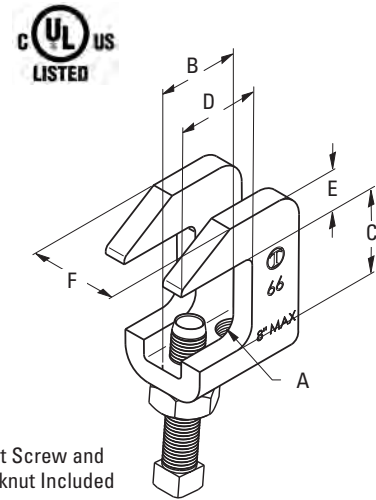
**Features:** All steel construction eliminates structural deficiencies associated with casting type beam clamps. May be used on top or bottom flange of beam. (Beveled lip allows hanging from top flange where clearance is limited.) May be installed with set screw in up or down position. Offset design permits unlimited rod adjustment by allowing the rod to be threaded completely through the clamp. Open design permits inspection of thread engagement.

**Approvals:** Underwriters Laboratories Listed in the USA (UL) and Canada (cUL). Exceeds requirements of the National Fire Protection Association (NFPA), pamphlet 13, 3/8"-16 rod will support 1/2" (15mm) thru 4" (100mm) pipe  
1/2"-13 rod will support 1/2" (15mm) thru 8" (200mm) pipe  
Included in the Seismic Restraints Catalog approved by the State of California Office of Statewide Health Planning and Development (OSHPD). For additional load spacing and placement information relating OSHPD projects, please refer to the Seismic Restraint System Guidelines.

**Finish:** Plain. Contact customer service for alternative finishes and materials.

**Order By:** Part number and finish

Component of State of California OSHPD Approved Seismic Restraints System



| Part No. | Rod Size A | B in. (mm)    | C in. (mm)    | D in. (mm) | E in. (mm)   |
|----------|------------|---------------|---------------|------------|--------------|
| 66-3/8   | 3/8"-16    | 13/16" (30.2) | 1 1/4" (31.7) | 1" (25.4)  | 7/16" (11.1) |
| 66-1/2   | 1/2"-13    | 1 1/2" (38.1) | 1 1/4" (31.7) | 1" (25.4)  | 9/16" (14.3) |
| 66-5/8   | 5/8"-11    | 1 1/2" (38.1) | 1 1/4" (31.7) | 1" (25.4)  | 9/16" (14.3) |

| Part No. | F in. (mm)    | Mac Rec. Load * lbs. (kN) | Approx. Wt./100 lbs. (kg) |
|----------|---------------|---------------------------|---------------------------|
| 66-3/8   | 1" (25.4)     | 610 (2.71)                | 28 (12.7)                 |
| 66-1/2   | 1 1/4" (31.7) | 1130 (5.02)               | 55 (24.9)                 |
| 66-5/8   | 1 1/4" (31.7) | 1130 (5.02)               | 55 (24.9)                 |

\* Maximum loads for clamp with set screw in up or down position.

**Note:** See page 27 for recommended setscrew torque.

All dimensions in charts and on drawings are in inches. Dimensions shown in parentheses are in millimeters unless otherwise specified.

# Beam Clamps

## TOLCO™ Fig. 67SS - Stainless Steel Reversible C-Type Beam Clamp 3/4" (19.0mm) Throat Opening

## TOLCO™ Fig. 68SS - Stainless Steel Reversible C-Type Beam Clamp Wide Mouth

**Size Range:** 3/8"-16 and 1/2"-13 rod sizes

**Material:** Stainless Steel (Type 316 or 304)

**Function:** Recommended for hanging from steel beams where flange thickness does not exceed 3/4" (19.0mm) for Fig. 67SS or 1 1/4" (31.7mm) for Fig. 68SS.

**Features:** All steel construction eliminates structural deficiencies associated with casting type beam clamps. May be used on top or bottom flange of beam. May be installed with set screw in up or down position. Offset design permits unlimited rod adjustment by allowing the rod to be threaded completely through the clamp.

**Approvals:** Underwriters Laboratories Listed in the USA (UL) and Canada (cUL). Conforms to Manufacturers Standardization Society ANSI/MSS SP-69 & SP-58, Type 19. Meets or exceeds requirements of the National Fire Protection Association (NFPA), pamphlet 13.

3/8"-16 rod will support 1/2" (15mm) thru 4" (100mm) pipe

1/2"-13 rod will support 1/2" (15mm) thru 8" (200mm) pipe

**Order By:** Part number and stainless steel type.

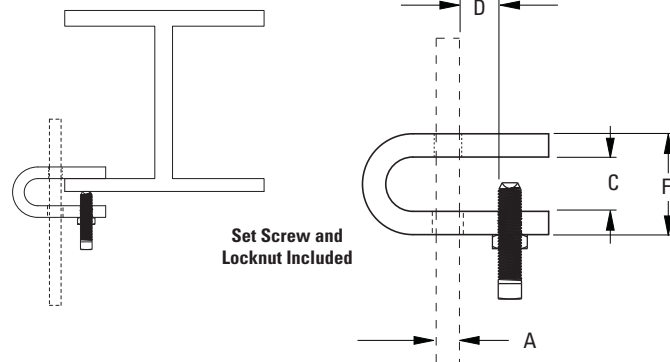
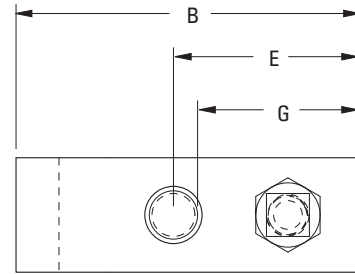


Fig. 67SS

| Part No. | Rod Size A | Pipe Size |             | B   |        | C    |        | D   |        | E      |        |
|----------|------------|-----------|-------------|-----|--------|------|--------|-----|--------|--------|--------|
|          |            | in.       | (mm)        | in. | (mm)   | in.  | (mm)   | in. | (mm)   | in.    | (mm)   |
| 67SS-3/8 | 3/8"-16    | 1/2" - 4" | (15 - 100)  | 3"  | (76.2) | 7/8" | (22.2) | 1"  | (25.4) | 1 5/8" | (41.3) |
| 67SS-1/2 | 1/2"-13    | 5" - 8"   | (125 - 200) | 3"  | (76.2) | 7/8" | (22.2) | 1"  | (25.4) | 1 5/8" | (41.3) |

| Part No. | F      |        | G      |        | Test Load |         | Approx. Wt./100 |        |
|----------|--------|--------|--------|--------|-----------|---------|-----------------|--------|
|          | in.    | (mm)   | in.    | (mm)   | lbs.      | (kN)    | lbs.            | (kg)   |
| 67SS-3/8 | 1 5/8" | (41.3) | 1 1/8" | (28.6) | 1500      | (6.67)  | 84              | (38.1) |
| 67SS-1/2 | 1 5/8" | (41.3) | 1 1/8" | (28.6) | 4050      | (18.01) | 170             | (77.1) |



Fig. 68SS \*

| Part No. | Rod Size A | Pipe Size |             | B       |        | C      |        | D       |        | E      |        |
|----------|------------|-----------|-------------|---------|--------|--------|--------|---------|--------|--------|--------|
|          |            | in.       | (mm)        | in.     | (mm)   | in.    | (mm)   | in.     | (mm)   | in.    | (mm)   |
| 68SS-3/8 | 3/8"-16    | 1/2" - 4" | (15 - 100)  | 2 1/16" | (52.4) | 1 1/8" | (28.6) | 3/4"    | (19.0) | 1 1/4" | (31.7) |
| 68SS-1/2 | 1/2"-13    | 5" - 8"   | (125 - 200) | 2 1/4"  | (57.1) | 1 1/4" | (31.7) | 1 3/16" | (20.6) | 1 1/4" | (31.7) |

| Part No. | F      |        | Test Load |         | Approx. Wt./100 |        |
|----------|--------|--------|-----------|---------|-----------------|--------|
|          | in.    | (mm)   | lbs.      | (kN)    | lbs.            | (kg)   |
| 68SS-3/8 | 2"     | (50.8) | 1500      | (6.67)  | 84              | (38.1) |
| 68SS-1/2 | 2 1/4" | (57.1) | 4050      | (18.01) | 170             | (77.1) |



\* Fig. 68SS minimum order quantity of 30 pieces.

**Note:** See page 27 for recommended setscrew torque.

All dimensions in charts and on drawings are in inches. Dimensions shown in parentheses are in millimeters unless otherwise specified.



## B351L - Steel C-Clamp With Locknut

**Size Range:** 3/8"-16 thru 7/8"-9 rod

**Material:** Steel

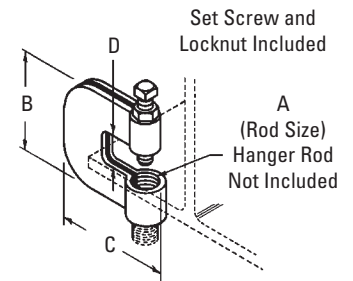
**Function:** For attachment to I-beams, channels, and wide flange beams where the thickness does not exceed 3/4" (19.0mm). Hardened set screw secures "C" Clamp to beam.

**Approvals:** B351L (3/8"-16 thru 3/4"-10), is Underwriters Laboratories Listed in the USA (UL) and Canada (cUL). Conforms to Federal Specification WW-H-171E & A-A-1192A, Type 23 and Manufacturers Standardization Society ANSI/MSS SP-69 & SP-58, Type 23.

**Finish:** Plain. Contact customer service for alternative finishes and materials.

**Note:** When retaining strap is required, order B3362 thru B3365 separately. See page 29.

**Order By:** Part number and finish



| Part No.  | Rod Size A | B      |        | C      |        | D    |        | Design Load<br>Lbs. (kN) | Maximum Iron Pipe Size Per UL |       | Approx. Wt./100<br>Lbs. (kg) |
|-----------|------------|--------|--------|--------|--------|------|--------|--------------------------|-------------------------------|-------|------------------------------|
|           |            | in.    | (mm)   | in.    | (mm)   | in.  | (mm)   |                          | in.                           | (mm)  |                              |
| B351L-3/8 | 3/8"-16    | 2 3/8" | (60.3) | 2 3/8" | (60.3) | 3/4" | (19.0) | 300 (0.89)               | 4"                            | (100) | 41 (18.6)                    |
| B351L-1/2 | 1/2"-13    | 2 3/8" | (60.3) | 2 3/8" | (60.3) | 3/4" | (19.0) | 380 (1.69)               | 6"                            | (150) | 41 (18.6)                    |
| B351L-5/8 | 5/8"-11    | 2 3/8" | (60.3) | 2 1/4" | (57.1) | 3/4" | (19.0) | 550 (2.44)               | 6"                            | (150) | 60 (27.2)                    |
| B351L-3/4 | 3/4"-10    | 2 3/8" | (60.3) | 2 1/4" | (57.1) | 3/4" | (19.0) | 630 (2.80)               | 6"                            | (150) | 71 (32.2)                    |
| B351L-7/8 | 7/8"-9     | 3"     | (76.2) | 3 1/4" | (82.5) | 1"   | (25.4) | 1200 (5.34)              | --                            | --    | 184 (83.4)                   |

**Note:** See page 27 for recommended setscrew torque.

## B3036L - Malleable Iron C-Clamp With Locknut

**Size Range:** 3/8"-16 thru 3/4"-10 rod

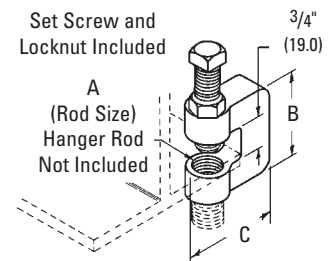
**Material:** Malleable Iron

**Function:** Designed for attaching a hanger rod to the flange of a beam.

**Approvals:** B3036L is Underwriters Laboratories Listed in the USA (UL) and Canada (cUL). Complies with Federal Specification WW-H-171E & A-A-1192A Type 23 and Manufacturers Standardization Society ANSI/MSS SP-69 & SP-58 Type 23.

**Finish:** Plain or Electro-Galvanized

**Order By:** Part number and finish. When retaining strap is required, order B3362 thru B3365 separately. See page 29.



| Part No.   | Rod Size A | B      |        | C      |        | Design Load<br>Lbs. (kN) | Maximum Iron Pipe Size Per UL |       | Approx. Wt./100<br>Lbs. (kg) |
|------------|------------|--------|--------|--------|--------|--------------------------|-------------------------------|-------|------------------------------|
|            |            | in.    | (mm)   | in.    | (mm)   |                          | in.                           | (mm)  |                              |
| B3036L-3/8 | 3/8"-16    | 1 3/4" | (44.4) | 1 3/4" | (44.4) | 300 (0.89)               | 4"                            | (100) | 41 (18.6)                    |
| B3036L-1/2 | 1/2"-13    | 1 3/4" | (44.4) | 1 3/4" | (44.4) | 380 (1.69)               | 5"                            | (125) | 41 (18.6)                    |
| B3036L-5/8 | 5/8"-11    | 2"     | (50.8) | 1 7/8" | (47.6) | 530 (2.36)               | 6"                            | (150) | 60 (27.2)                    |
| B3036L-3/4 | 3/4"-10    | 2"     | (50.8) | 2"     | (50.8) | 530 (2.36)               | 6"                            | (150) | 71 (32.2)                    |

**Note:** See page 27 for recommended setscrew torque.

All dimensions in charts and on drawings are in inches. Dimensions shown in parentheses are in millimeters unless otherwise specified.

# Beam Clamps

## B3362, B3363, B3364, B3365 - Retaining Strap

**Size Range:** 6" (152.4mm) to 12" (304.8mm) lengths

**Material:** Steel (Stainless Steel available)

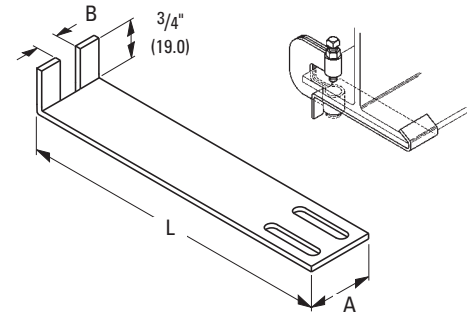
**Finish:** Pre-Galvanized

**Function:** Designed for use with B351L and B3036L C-Clamps.

**Order By:** Part number, length 'L', (add 1" (25.4) minimum to flange width), and finish.

**Note:** Requires field forming on beam.

| Flange Width |           | Length L    |
|--------------|-----------|-------------|
| in.          | (mm)      | in. (mm)    |
| 3"-5"        | (76-127)  | 6" (152.4)  |
| 5"-7"        | (127-178) | 8" (203.2)  |
| 7"-9"        | (178-228) | 10" (254.0) |
| 9"-11"       | (228-279) | 12" (304.8) |



Material Thickness  
12 Gauge (2.7)



| Part No. | For Use With  | A      |        | B       |        | Approx. Wt./100 for Length 'L' of |            |             |             |      |        |      |        |
|----------|---|--------|--------|---------|--------|-----------------------------------|------------|-------------|-------------|------|--------|------|--------|
|          |   | in.    | (mm)   | in.     | (mm)   | 6" (152.4)                        | 8" (203.2) | 10" (254.0) | 12" (304.8) |      |        |      |        |
|          |   |        |        |         |        | Lbs.                              | (kg)       | Lbs.        | (kg)        | Lbs. | (kg)   | Lbs. | (kg)   |
| B3362-L  | B351L- <sup>3</sup> / <sub>8</sub> & 1/2  | 1 1/4" | (31.7) | 7/16"   | (11.1) | 27                                | (12.2)     | 35          | (15.9)      | 44   | (19.9) | 52   | (23.6) |
| B3363-L  | B351L- <sup>5</sup> / <sub>8</sub> & <sup>3</sup> / <sub>4</sub> ,<br>B3036L- <sup>3</sup> / <sub>8</sub> & 1/2 | 1 1/4" | (31.7) | 5/8"    | (15.9) | 26                                | (11.8)     | 35          | (15.9)      | 43   | (19.5) | 52   | (23.6) |
| B3364-L  | B3036L- <sup>5</sup> / <sub>8</sub> & <sup>3</sup> / <sub>4</sub>   | 1 1/4" | (31.7) | 1 1/16" | (17.4) | 26                                | (11.8)     | 35          | (15.9)      | 43   | (19.5) | 52   | (23.6) |
| B3365-L  | B351L- <sup>7</sup> / <sub>8</sub>  | 1 1/2" | (38.1) | 3/4"    | (19.0) | 32                                | (14.5)     | 42          | (19.0)      | 52   | (23.6) | 62   | (28.1) |

Beam Clamps

## B3037 - Z-Purlin Malleable C-Clamp

**Material:** Malleable Iron

**Function:** Designed for attaching a <sup>3</sup>/<sub>8</sub>"-16 hanger rod to the bottom flange of a Z-purlin.

**Approvals:** Underwriters Laboratories Listed in the USA (UL) and Canada (cUL) for up to 4" (100mm) pipe. Conforms to Federal Specification WW-H-171E & A-A-1192A, Type 23 and Manufacturers Standardization Society ANSI/MSS SP-69 & SP-58, Type 23.

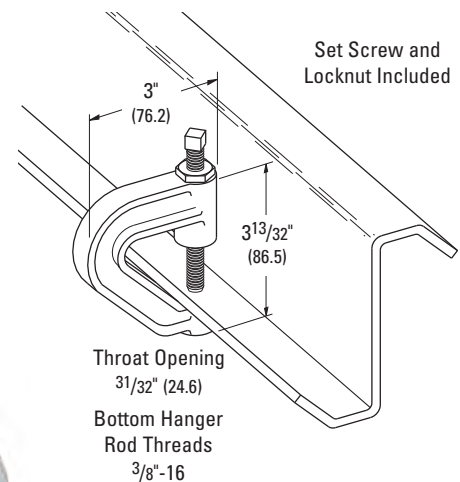
**Finish:** Plain or Electro-Galvanized

**Order By:** Part number and finish.

**Weight:** Approx. Wt./100 90 Lbs. (40.8kg)

**Design Load:** 400 Lbs. (1.78kN)

**Note:** See page 27 for recommended setscrew torque.



All dimensions in charts and on drawings are in inches. Dimensions shown in parentheses are in millimeters unless otherwise specified.

## B3031-3/8 - Light Duty Malleable C-Clamp

**Material:** Malleable Iron

**Function:** Designed for attaching a 3/8"-16 hanger rod to the top or bottom flange of a beam or bar joist when setscrew is in the down position as shown.

**Approvals:** Underwriters Laboratories Listed in the USA (UL) and Canada (cUL) for up to 4" pipe. Conforms to Federal Specification WW-H-171E & A-A-1192A, Type 19 and Manufacturers Standardization Society ANSI/MSS SP-69 & SP-58, Type 19.

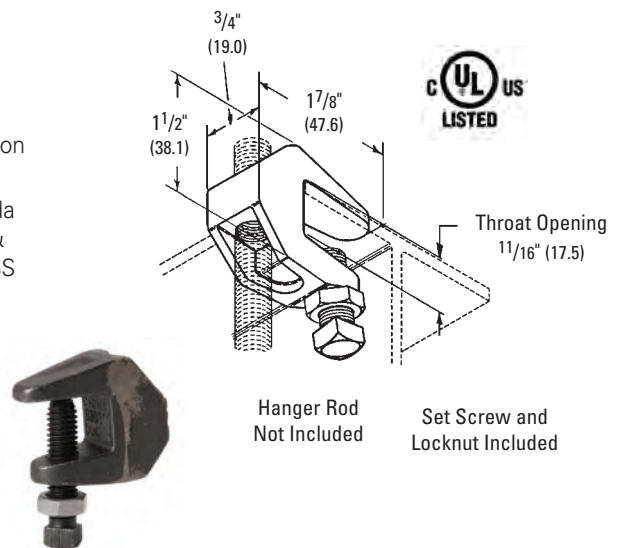
**Finish:** Plain or Electro-Galvanized

**Order By:** Part number and finish. When retaining strap is required, order Fig. 69 separately. See Page 37.

**Weight:** Approx. Wt./100 25 Lbs. (11.3kg)

**Design Load:** 350 Lbs. (1.55kN)

**Note:** See page 27 for recommended setscrew torque.



## B3033 - Wide Jaw Reversible C-Clamp

**Size Range:** 3/8"-16 thru 3/4"-10 rod

**Material:** Cast Malleable Steel with hardened cup point set screw and jam nut

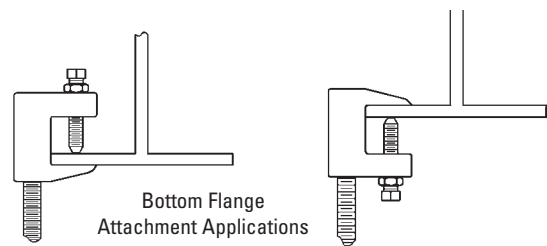
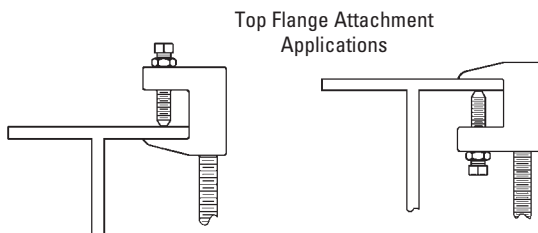
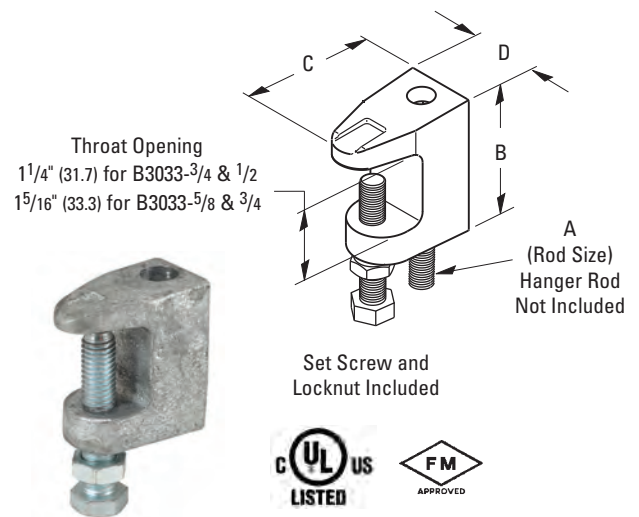
**Function:** For attachment to structural shapes requiring wider throat especially under roof with bar joist construction. This clamp may be used with the set screw in the up or down position.

**Approvals:** Underwriters Laboratories Listed in the USA (UL) and Canada (cUL), and Factory Mutual Engineering Approved (FM). Conforms to Federal Specification WW-H-171E Type 19 & A-A-1192A, Type 19 & 23 and Manufacturers Standardization Society ANSI/MSS SP-69 & SP-58, Type 19 & 23.

**Finish:** Plain. Contact customer service for alternative finishes and materials.

**Order By:** Part number, rod size and finish

**Note:** Do not over tighten set screw.



| Part No.  | Rod Size<br>A | B        |        | C       |        | D       | Design Load with Setscrew |      | Maximum Iron Pipe Size Per UL |      | Approx. Wt./100<br>Lbs. (kg) |           |
|-----------|---------------|----------|--------|---------|--------|---------|---------------------------|------|-------------------------------|------|------------------------------|-----------|
|           |               | in.      | (mm)   | in.     | (mm)   |         | Lbs.                      | (kN) | in.                           | (mm) |                              |           |
| B3033-3/8 | 3/8"-16       | 2 1/4"   | (57.1) | 2"      | (50.8) | 1 1/8"  | (28.6)                    | 500  | (2.22)                        | 4"   | (100)                        | 54 (24.5) |
| B3033-1/2 | 1/2"-13       | 2 5/16"  | (58.7) | 2 3/16" | (55.6) | 1 1/4"  | (31.7)                    | 810  | (3.60)                        | 8"   | (200)                        | 51 (23.1) |
| B3033-5/8 | 5/8"-11       | 2 5/8"   | (66.7) | 2 1/2"  | (63.5) | 1 3/8"  | (34.9)                    | 1000 | (4.45)                        | 8"   | (200)                        | 70 (31.7) |
| B3033-3/4 | 3/4"-10       | 2 11/16" | (68.3) | 2 1/2"  | (63.5) | 1 7/16" | (36.5)                    | 1400 | (6.23)                        | 10"  | (250)                        | 98 (44.4) |

**Note:** See page 27 for recommended setscrew torque.

All dimensions in charts and on drawings are in inches. Dimensions shown in parentheses are in millimeters unless otherwise specified.

# Beam Clamps

## B3034 - C-Clamp

**Size Range:** 3/8"-16 thru 3/4"-10 rod

**Material:** Cast Malleable Steel with hardened cup point set screw and jam nut

**Function:** Recommended for hanging from steel beam where flange thickness does not exceed 3/4" (19.0mm).

**Features:** May be used on top or bottom flange of the beam. Beveled lip allows hanging from top flange where clearance is limited. may be installed with the set screw in the up or down position. Offset design permits unlimited rod adjustment by allowing the rod to be threaded completely through the clamp. The rear window design permits inspection of thread engagement.

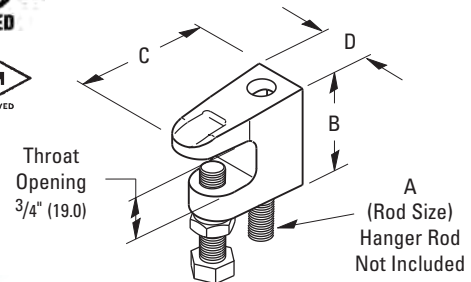
**Approvals:** Underwriters Laboratories Listed in the USA (UL) and Canada (cUL), and Factory Mutual Engineering Approved (FM) for 3/8"-16 and 1/2"-13 rod sizes. Conforms to Federal Specification WW-H-171E & A-A-1192A, Type 19 & 23 and Manufacturers Standardization Society ANSI/MSS SP-69 & SP-58, Type 19 & 23. 3/8"-16 is (cULus) Listed to support up to 4" (100mm) pipe with the set screw in the down position, up to 3" (75mm) pipe with the set screw in the up position. 1/2"-13 is (cULus) Listed to support up to 8" (200mm) pipe with the set screw in the down position, up to 6" (150mm) pipe with the set screw in the up position.

**Finish:** Plain. Contact customer service for alternative finishes and materials.

**Order By:** Part number and finish



B3034-3/8" and B3034-1/2" sizes  
Attach only as shown.

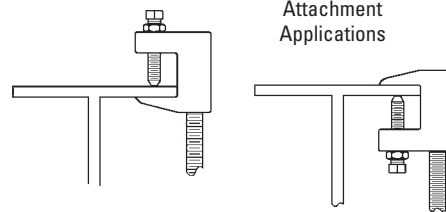


Set Screw and Locknut Included

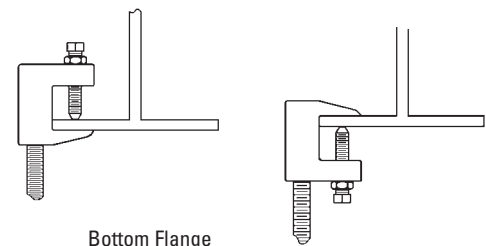


B3034-3/8  
Shown

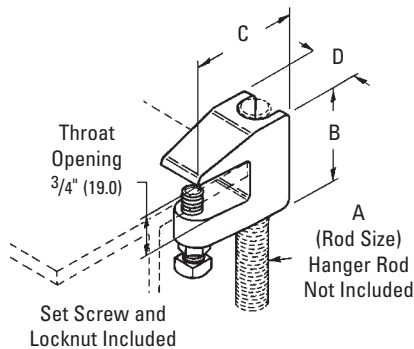
Top Flange  
Attachment  
Applications



Bottom Flange  
Attachment  
Applications



B3034-5/8" and B3034-3/4" sizes  
Attach only as shown.



| Part No.  | Rod Size A | B<br>in. (mm)  | C<br>in. (mm) | D<br>in. (mm) | Design Load with Setscrew |        | Maximum Iron Pipe Size Per UL |       | Approx. Wt./100 |        |
|-----------|------------|----------------|---------------|---------------|---------------------------|--------|-------------------------------|-------|-----------------|--------|
|           |            |                |               |               | Lbs.                      | (kN)   | in.                           | (mm)  | Lbs.            | (kg)   |
| B3034-3/8 | 3/8"-16    | 15/8" (41.3)   | 2" (50.8)     | 7/8" (19.0)   | 560                       | (2.49) | 4"                            | (100) | 30              | (13.6) |
| B3034-1/2 | 1/2"-13    | 113/16" (46.0) | 23/16" (55.6) | 13/16" (30.2) | 810                       | (3.60) | 8"                            | (200) | 47              | (21.3) |
| B3034-5/8 | 5/8"-11    | 13/4" (44.5)   | 21/8" (54.0)  | 11/4" (31.7)  | 1000                      | (4.45) | --                            | --    | 58              | (26.3) |
| B3034-3/4 | 3/4"-10    | 2" (50.8)      | 21/4" (57.2)  | 11/4" (31.7)  | 1500                      | (6.67) | --                            | --    | 77              | (35.0) |

**Note:** See page 27 for recommended setscrew torque.

All dimensions in charts and on drawings are in inches. Dimensions shown in parentheses are in millimeters unless otherwise specified.

## TOLCO™ Fig. 68S - Reversible Malleable Beam Clamp 3/4" (19.0mm) Throat Opening

## TOLCO™ Fig. 68W - Reversible Malleable Beam Clamp 1 1/4" (31.7mm) Throat Opening (bottom of page)

### Size Range:

3/8"-16 rod sizes thru 7/8"-9 rod sizes

**Material:** Cast Malleable Steel with hardened cup point set screw and jam nut

**Function:** Recommended for hanging from steel beam where flange thickness does not exceed 3/4" (19.0mm) on Fig. 68S or 1 1/4" (31.7mm) on Fig. 68W.

**Features:** May be used on top or bottom flange of beam. Beveled lip allows hanging from top flange where clearance is limited. May be installed with set screw in up or down position. Offset design permits unlimited rod adjustment by allowing the rod to be threaded completely through the clamp. The rear window design permits inspection of thread engagement.

**Approvals:** Factory Mutual Engineering Approved (FM). Underwriters Laboratories Listed in the USA (UL) and Canada (cUL), Conforms to Federal Specification WW-H-171E, Type 23 and Manufacturers Standardization Society SP-58, Type 19.

Fig. 68S-3/8 is (cULus) Listed to support up to 4" (100mm) pipe with the set screw in the down position and up to 3" (80mm) pipe with the set screw in the up position.

Fig. 68S-1/2 is (cULus) Listed to support up to 8" (200mm) pipe with the set screw in the down position and up to 6" (150mm) pipe with the set screw in the up position.

Fig. 68W-3/8 is (cULus) Listed to support up to 4" (100mm) pipe with the set screw in the down position and up to 4" (100mm) pipe with the set screw in the up position.

Fig. 68W-1/2 is (cULus) Listed to support up to 6" (150mm) pipe with the set screw in the down position and up to 6" (150mm) pipe with the set screw in the up position.

Factory Mutual Engineering Approved (FM) only with the set screw in the down position.

**(OSHPD).** For additional load spacing and placement information relating to OSHPD projects, please refer to the Seismic Restraint System Guidelines.

**Finish:** Plain. Contact customer service for Electro-Galvanized finish.

**Order By:** Part number and finish

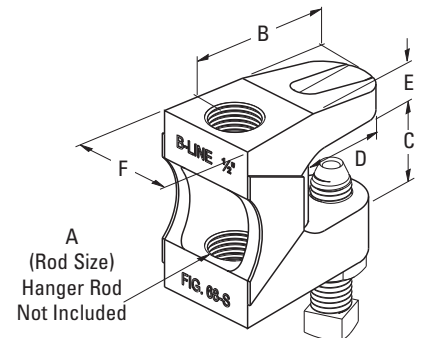


Fig. 68S

Set Screw and Locknut Included

D = Depth of Throat

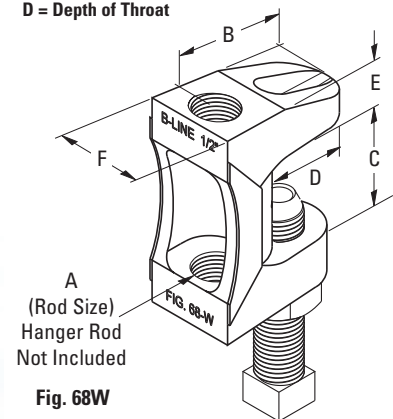


Fig. 68W

Set Screw and Locknut Included

Fig. 68S



Fig. 68W



Fig. 68S

| Part No. | Rod Size A | B in. (mm)    | C             |             | D in. (mm)    | E in. (mm)   | F in. (mm)     | Max Rec. Load Set Screw Up Lbs. (kN) | Max Rec. Load Set Screw Down Lbs. (kN) | Approx. Wt./100 Lbs. (kg) |
|----------|------------|---------------|---------------|-------------|---------------|--------------|----------------|--------------------------------------|--|---------------------------|
|          |            |               | Min. in. (mm) | in. (mm)    |               |              |                |                                      |  |                           |
| 68S-3/8  | 3/8"-16    | 19/16" (39.7) | 3/4" (19.0)   | 3/4" (19.0) | 1 1/8" (28.6) | 7/16" (11.1) | 7/8" (22.2)    | 610 (2.71)                           | 610 (2.71)                             | 32 (14.5)                 |
| 68S-1/2  | 1/2"-13    | 15/8" (41.3)  | 3/4" (19.0)   | 3/4" (19.0) | 1" (25.4)     | 7/16" (11.1) | 1 1/8" (28.6)  | 750 (3.33)                           | 1130 (5.02)                            | 54 (24.5)                 |
| 68S-5/8  | 5/8"-11    | 19/16" (39.7) | 3/4" (19.0)   | 3/4" (19.0) | 1" (25.4)     | 9/16" (14.3) | 1 1/8" (28.6)  | 750 (3.33)                           | 1130 (5.02)                            | 50 (22.7)                 |
| 68S-3/4  | 3/4"-10    | 13/4" (44.4)  | 3/4" (19.0)   | 3/4" (19.0) | 1 1/8" (28.6) | 9/16" (14.3) | 1 1/4" (31.7)  | 750 (3.33)                           | 1130 (5.02)                            | 81 (36.7)                 |
| 68S-7/8  | 7/8"-9     | 13/4" (44.4)  | 3/4" (19.0)   | 3/4" (19.0) | 1 1/8" (28.6) | 9/16" (14.3) | 1 5/16" (33.3) | 750 (3.33)                           | 1130 (5.02)                            | 75 (34.0)                 |

Fig. 68W

| Part No. | Rod Size A | B in. (mm)    | C             |               | D in. (mm)    | E in. (mm)   | F in. (mm)     | Max Rec. Load Set Screw Up Lbs. (kN) | Max Rec. Load Set Screw Down Lbs. (kN) | Approx. Wt./100 Lbs. (kg) |
|----------|------------|---------------|---------------|---------------|---------------|--------------|----------------|--------------------------------------|--|---------------------------|
|          |            |               | Min. in. (mm) | in. (mm)      |               |              |                |                                      |  |                           |
| 68W-3/8  | 3/8"-16    | 19/16" (39.7) | 1 1/4" (31.7) | 1 1/4" (31.7) | 1 1/8" (28.6) | 7/16" (11.1) | 7/8" (22.2)    | 610 (2.71)                           | 610 (2.71)                             | 41 (18.6)                 |
| 68W-1/2  | 1/2"-13    | 19/16" (39.7) | 1 1/4" (31.7) | 1 1/4" (31.7) | 1" (25.4)     | 5/8" (15.9)  | 1 1/8" (28.6)  | 750 (3.33)                           | 1130 (5.02)                            | 66 (29.9)                 |
| 68W-5/8  | 5/8"-11    | 1 1/2" (38.1) | 1 1/4" (31.7) | 1 1/4" (31.7) | 1" (25.4)     | 9/16" (14.3) | 1 1/8" (28.6)  | 750 (3.33)                           | 1130 (5.02)                            | 68 (30.8)                 |
| 68W-3/4  | 3/4"-10    | 13/4" (44.4)  | 1 1/4" (31.7) | 1 1/4" (31.7) | 1 1/8" (28.6) | 3/8" (19.5)  | 1 1/4" (31.7)  | 750 (3.33)                           | 1130 (5.02)                            | 110 (49.9)                |
| 68W-7/8  | 7/8"-9     | 13/4" (44.4)  | 1 1/4" (31.7) | 1 1/4" (31.7) | 1 1/8" (28.6) | 9/16" (14.3) | 1 5/16" (33.3) | 750 (3.33)                           | 1130 (5.02)                            | 98 (44.4)                 |

**Note:** See page 27 for recommended setscrew torque.

All dimensions in charts and on drawings are in inches. Dimensions shown in parentheses are in millimeters unless otherwise specified.

# Beam Clamps

## TOLCO™ Fig. 65 - Reversible Steel C-Type Beam Clamp 3/4" (19.0mm) Throat Opening

## TOLCO™ Fig. 65XT - Reversible Steel C-Type Beam Clamp 3/4" (19.0mm) Throat Opening (bottom of page)

### Size Range:

Fig. 65 - 1/2"-13 rod sizes, and 5/8"-11 rod sizes

Fig. 65XT - 3/8"-16 rod size (see below)

**Material:** Steel with hardened cup point set screw and jam nut

**Function:** Recommended for hanging from steel beam where flange thickness does not exceed 3/4" (19.0mm).

**Features:** All steel construction eliminates structural deficiencies associated with casting type beam clamps. May be used on top or bottom flange of beam. (Beveled lip allows hanging from top flange where clearance is limited.) May be installed with set screw in up or down position. Offset design permits unlimited rod adjustment by allowing the rod to be threaded completely through the clamp. Open design permits inspection of thread engagement.

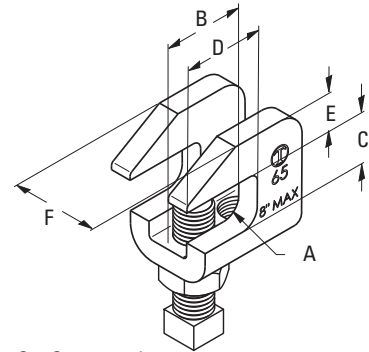
**Approvals:** Underwriters Laboratories Listed in the USA (UL) and Canada (cUL). Exceeds requirements of the National Fire Protection Association (NFPA), pamphlet 13, 3/8"-16 rod will support 1/2" (15mm) thru 4" (100mm) pipe  
1/2"-13 rod will support 1/2" (15mm) thru 8" (200mm) pipe  
Included in the Seismic Restraints Catalog approved by the State of California Office of Statewide Health Planning and Development (OSHPD). For additional load spacing and placement information relating OSHPD projects, please refer to the Seismic Restraint System Guidelines.

**Finish:** Plain. Contact customer service for alternative finishes and materials.

**Order By:** Part number and finish

**Fig. 65 Patent #4,570,885**

Component of State of California OSHPD Approved Seismic Restraints System



Set Screw and Locknut Included



| Part No. | Rod Size A | B in. (mm)    | C in. (mm)  | D in. (mm) | E in. (mm)   |
|----------|------------|---------------|-------------|------------|--------------|
| 65-1/2   | 1/2"-13    | 1 1/2" (38.1) | 3/4" (19.0) | 1" (25.4)  | 9/16" (14.3) |
| 65-5/8   | 5/8"-11    | 1 1/2" (38.1) | 3/4" (19.0) | 1" (25.4)  | 9/16" (14.3) |

| Part No. | F in. (mm)    | Mac Rec. Load * lbs. (kN) | Approx. Wt./100 lbs. (kg) |
|----------|---------------|---------------------------|---------------------------|
| 65-1/2   | 1 1/4" (31.7) | 1130 (5.02)               | 55 (24.9)                 |
| 65-5/8   | 1 1/4" (31.7) | 1130 (5.02)               | 55 (24.9)                 |

\* Maximum loads for clamp with set screw in up or down position.

**Note:** See page 27 for recommended setscrew torque.

Beam Clamps

## Fig. 65XT-3/8 - Beam Clamp

**Feature:** Extruded holes allow for more thread engagement of threaded rod and set screw.

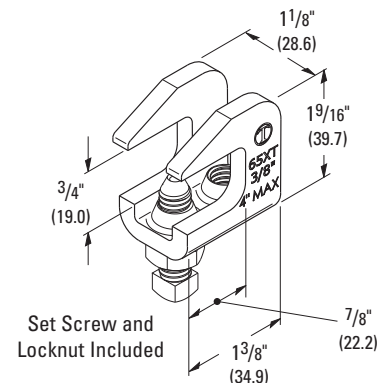
**Weight:** Approx. Wt./100 - 28.0 Lbs. (12.7kg)

**Design Load:** 730 Lbs (3.25kN)

**Finish:** Plain or Electro-Galvanized

**Order By:** Part number and finish

**Approvals:** Underwriters Laboratories Listed in the USA (UL) and Canada (cUL), and Factory Mutual Engineering Approved (FM) for up to 4" (100mm) pipe.



Set Screw and Locknut Included

**Note:** See page 27 for recommended setscrew torque.

All dimensions in charts and on drawings are in inches. Dimensions shown in parentheses are in millimeters unless otherwise specified.

## TOLCO™ Fig. 66 - Reversible Steel C-Type Beam Clamp 1 1/4" (31.7mm) Throat Opening

**Size Range:** 3/8"-16, 1/2"-13 rod sizes, and 5/8"-11 rod sizes

**Material:** Steel with hardened cup point set screw and jam nut

**Function:** Recommended for hanging from steel beam where flange thickness does not exceed 1 1/4" (31.7mm).

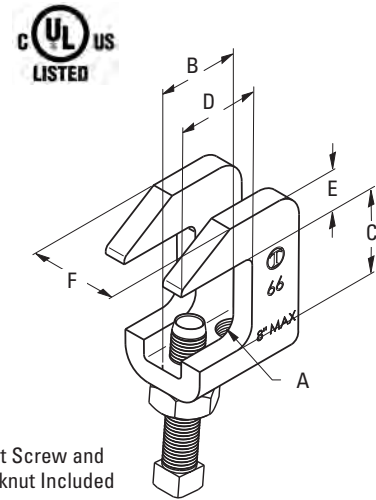
**Features:** All steel construction eliminates structural deficiencies associated with casting type beam clamps. May be used on top or bottom flange of beam. (Beveled lip allows hanging from top flange where clearance is limited.) May be installed with set screw in up or down position. Offset design permits unlimited rod adjustment by allowing the rod to be threaded completely through the clamp. Open design permits inspection of thread engagement.

**Approvals:** Underwriters Laboratories Listed in the USA (UL) and Canada (cUL). Exceeds requirements of the National Fire Protection Association (NFPA), pamphlet 13, 3/8"-16 rod will support 1/2" (15mm) thru 4" (100mm) pipe  
1/2"-13 rod will support 1/2" (15mm) thru 8" (200mm) pipe  
Included in the Seismic Restraints Catalog approved by the State of California Office of Statewide Health Planning and Development (OSHPD). For additional load spacing and placement information relating OSHPD projects, please refer to the Seismic Restraint System Guidelines.

**Finish:** Plain. Contact customer service for alternative finishes and materials.

**Order By:** Part number and finish

Component of State of California OSHPD Approved Seismic Restraints System



| Part No. | Rod Size A | B in. (mm)    | C in. (mm)    | D in. (mm) | E in. (mm)   |
|----------|------------|---------------|---------------|------------|--------------|
| 66-3/8   | 3/8"-16    | 13/16" (30.2) | 1 1/4" (31.7) | 1" (25.4)  | 7/16" (11.1) |
| 66-1/2   | 1/2"-13    | 1 1/2" (38.1) | 1 1/4" (31.7) | 1" (25.4)  | 9/16" (14.3) |
| 66-5/8   | 5/8"-11    | 1 1/2" (38.1) | 1 1/4" (31.7) | 1" (25.4)  | 9/16" (14.3) |

| Part No. | F in. (mm)    | Mac Rec. Load * lbs. (kN) | Approx. Wt./100 lbs. (kg) |
|----------|---------------|---------------------------|---------------------------|
| 66-3/8   | 1" (25.4)     | 610 (2.71)                | 28 (12.7)                 |
| 66-1/2   | 1 1/4" (31.7) | 1130 (5.02)               | 55 (24.9)                 |
| 66-5/8   | 1 1/4" (31.7) | 1130 (5.02)               | 55 (24.9)                 |

\* Maximum loads for clamp with set screw in up or down position.

**Note:** See page 27 for recommended setscrew torque.

All dimensions in charts and on drawings are in inches. Dimensions shown in parentheses are in millimeters unless otherwise specified.

# Beam Clamps

## TOLCO™ Fig. 67SS - Stainless Steel Reversible C-Type Beam Clamp 3/4" (19.0mm) Throat Opening

## TOLCO™ Fig. 68SS - Stainless Steel Reversible C-Type Beam Clamp Wide Mouth

**Size Range:** 3/8"-16 and 1/2"-13 rod sizes

**Material:** Stainless Steel (Type 316 or 304)

**Function:** Recommended for hanging from steel beams where flange thickness does not exceed 3/4" (19.0mm) for Fig. 67SS or 1 1/4" (31.7mm) for Fig. 68SS.

**Features:** All steel construction eliminates structural deficiencies associated with casting type beam clamps. May be used on top or bottom flange of beam. May be installed with set screw in up or down position. Offset design permits unlimited rod adjustment by allowing the rod to be threaded completely through the clamp.

**Approvals:** Underwriters Laboratories Listed in the USA (UL) and Canada (cUL). Conforms to Manufacturers Standardization Society ANSI/MSS SP-69 & SP-58, Type 19. Meets or exceeds requirements of the National Fire Protection Association (NFPA), pamphlet 13.

3/8"-16 rod will support 1/2" (15mm) thru 4" (100mm) pipe

1/2"-13 rod will support 1/2" (15mm) thru 8" (200mm) pipe

**Order By:** Part number and stainless steel type.

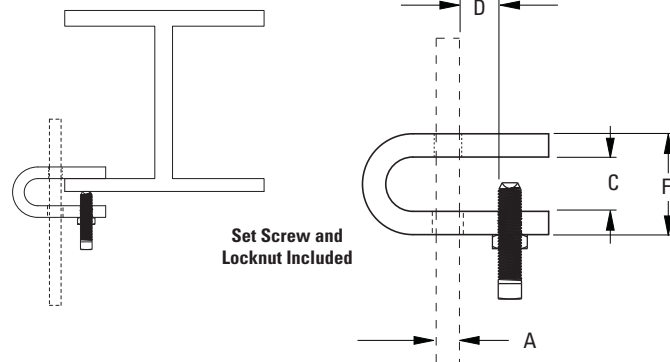
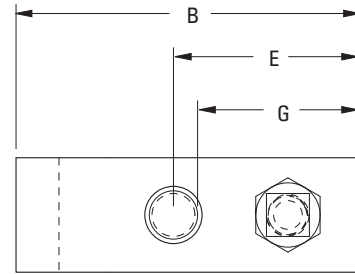


Fig. 67SS

| Part No. | Rod Size A | Pipe Size |             | B   |        | C    |        | D   |        | E      |        |
|----------|------------|-----------|-------------|-----|--------|------|--------|-----|--------|--------|--------|
|          |            | in.       | (mm)        | in. | (mm)   | in.  | (mm)   | in. | (mm)   | in.    | (mm)   |
| 67SS-3/8 | 3/8"-16    | 1/2" - 4" | (15 - 100)  | 3"  | (76.2) | 7/8" | (22.2) | 1"  | (25.4) | 1 5/8" | (41.3) |
| 67SS-1/2 | 1/2"-13    | 5" - 8"   | (125 - 200) | 3"  | (76.2) | 7/8" | (22.2) | 1"  | (25.4) | 1 5/8" | (41.3) |

| Part No. | F      |        | G      |        | Test Load |         | Approx. Wt./100 |        |
|----------|--------|--------|--------|--------|-----------|---------|-----------------|--------|
|          | in.    | (mm)   | in.    | (mm)   | lbs.      | (kN)    | lbs.            | (kg)   |
| 67SS-3/8 | 1 5/8" | (41.3) | 1 1/8" | (28.6) | 1500      | (6.67)  | 84              | (38.1) |
| 67SS-1/2 | 1 5/8" | (41.3) | 1 1/8" | (28.6) | 4050      | (18.01) | 170             | (77.1) |



Fig. 68SS \*

| Part No. | Rod Size A | Pipe Size |             | B       |        | C      |        | D       |        | E      |        |
|----------|------------|-----------|-------------|---------|--------|--------|--------|---------|--------|--------|--------|
|          |            | in.       | (mm)        | in.     | (mm)   | in.    | (mm)   | in.     | (mm)   | in.    | (mm)   |
| 68SS-3/8 | 3/8"-16    | 1/2" - 4" | (15 - 100)  | 2 1/16" | (52.4) | 1 1/8" | (28.6) | 3/4"    | (19.0) | 1 1/4" | (31.7) |
| 68SS-1/2 | 1/2"-13    | 5" - 8"   | (125 - 200) | 2 1/4"  | (57.1) | 1 1/4" | (31.7) | 1 3/16" | (20.6) | 1 1/4" | (31.7) |

| Part No. | F      |        | Test Load |         | Approx. Wt./100 |        |
|----------|--------|--------|-----------|---------|-----------------|--------|
|          | in.    | (mm)   | lbs.      | (kN)    | lbs.            | (kg)   |
| 68SS-3/8 | 2"     | (50.8) | 1500      | (6.67)  | 84              | (38.1) |
| 68SS-1/2 | 2 1/4" | (57.1) | 4050      | (18.01) | 170             | (77.1) |



\* Fig. 68SS minimum order quantity of 30 pieces.

**Note:** See page 27 for recommended setscrew torque.