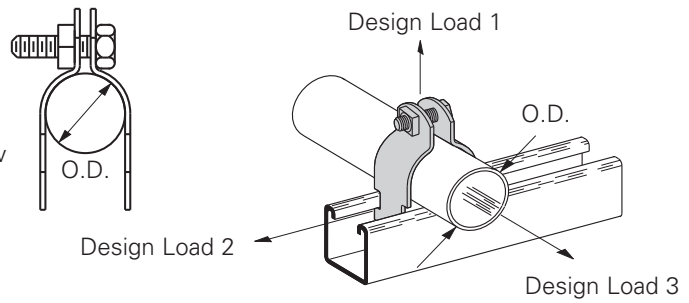


# Pipe Clamps

## B2000 Series O.D. Pipe and Conduit Clamps

- Safety Factor of 5
- Add PA to suffix for pre-assembled pipe clamps
- Other sizes available upon request
- Includes Combination Recess Hex Head Machine Screw and Square Nut.
- Material: 16 Ga. (1.5), 14 Ga. (1.9), 12 Ga. (2.6)  
ASTM A1011 33,000 PSI min. yield and 11 Ga. (3.0)  
ASTM A1011HSLA Gr. 50
- Standard finishes: ZN, HDG, SS4



### O.D. Clamps

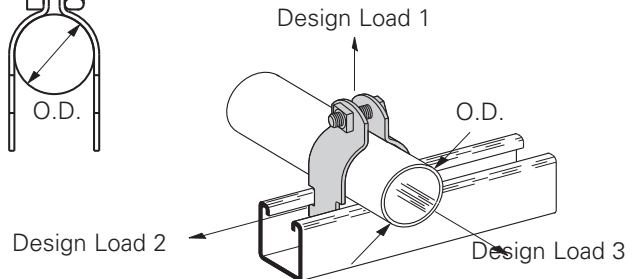
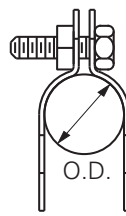
| Part No. | O.D. Size (in.) |         | Hardware Size | Material Gauge Thickness |       | Design Load 1 |        | Design Load 2 |       | Design Load 3 |       | Wt./C |        |
|----------|-----------------|---------|---------------|--------------------------|-------|---------------|--------|---------------|-------|---------------|-------|-------|--------|
|          | In.             | mm      |               | In.                      | mm    | Lbs.          | kN     | Lbs.          | kN    | Lbs.          | kN    | Lbs.  | kg     |
| B2023    | 1/4"            | (6.3)   | 1/4"-20       | 16                       | (1.5) | 120           | (.54)  | 30            | (.13) | 30            | (.13) | 8     | (3.6)  |
| B2024    | 3/8"            | (9.5)   | 1/4"-20       | 16                       | (1.5) | 300           | (1.33) | 40            | (.18) | 40            | (.18) | 8     | (3.6)  |
| B2025    | 1/2"            | (12.7)  | 1/4"-20       | 16                       | (1.5) | 400           | (1.78) | 50            | (.22) | 50            | (.22) | 9     | (4.1)  |
| B2026    | 5/8"            | (15.9)  | 1/4"-20       | 16                       | (1.5) | 400           | (1.78) | 50            | (.22) | 50            | (.22) | 10    | (4.5)  |
| B2027    | 3/4"            | (19.0)  | 1/4"-20       | 16                       | (1.5) | 400           | (1.78) | 50            | (.22) | 50            | (.22) | 10    | (4.5)  |
| B2008    | 7/8"            | (22.2)  | 1/4"-20       | 16                       | (1.5) | 400           | (1.78) | 50            | (.22) | 50            | (.22) | 11    | (5.0)  |
| B2009    | 1"              | (25.4)  | 1/4"-20       | 14                       | (1.9) | 500           | (2.22) | 75            | (.33) | 75            | (.33) | 15    | (6.8)  |
| B2030    | 1 1/8"          | (28.6)  | 1/4"-20       | 14                       | (1.9) | 600           | (2.67) | 75            | (.33) | 75            | (.33) | 15    | (6.8)  |
| B2031    | 1 1/4"          | (31.7)  | 1/4"-20       | 14                       | (1.9) | 600           | (2.67) | 75            | (.33) | 75            | (.33) | 16    | (7.3)  |
| B2010    | 1 3/8"          | (34.9)  | 1/4"-20       | 14                       | (1.9) | 600           | (2.67) | 75            | (.33) | 75            | (.33) | 17    | (7.7)  |
| B2004    | 1 1/2"          | (38.1)  | 1/4"-20       | 14                       | (1.9) | 600           | (2.67) | 75            | (.33) | 75            | (.33) | 18    | (8.2)  |
| B2011    | 1 5/8"          | (41.3)  | 1/4"-20       | 14                       | (1.9) | 600           | (2.67) | 75            | (.33) | 75            | (.33) | 19    | (8.6)  |
| B2005    | 1 3/4"          | (44.4)  | 5/16"-18      | 12                       | (2.6) | 800           | (3.56) | 125           | (.56) | 125           | (.56) | 29    | (13.1) |
| B2012    | 1 7/8"          | (47.6)  | 5/16"-18      | 12                       | (2.6) | 800           | (3.56) | 125           | (.56) | 125           | (.56) | 30    | (13.6) |
| B2037    | 2               | (50.8)  | 5/16"-18      | 12                       | (2.6) | 800           | (3.56) | 125           | (.56) | 125           | (.56) | 30    | (13.6) |
| B2038    | 2 1/8"          | (54.0)  | 5/16"-18      | 12                       | (2.6) | 800           | (3.56) | 125           | (.56) | 125           | (.56) | 32    | (14.5) |
| B2039    | 2 1/4"          | (57.1)  | 5/16"-18      | 12                       | (2.6) | 800           | (3.56) | 125           | (.56) | 125           | (.56) | 32    | (14.5) |
| B2013    | 2 3/8"          | (60.3)  | 5/16"-18      | 12                       | (2.6) | 800           | (3.56) | 125           | (.56) | 125           | (.56) | 34    | (15.4) |
| B2041    | 2 1/2"          | (63.5)  | 5/16"-18      | 12                       | (2.6) | 800           | (3.56) | 125           | (.56) | 125           | (.56) | 35    | (15.9) |
| B2042    | 2 5/8"          | (66.7)  | 5/16"-18      | 12                       | (2.6) | 800           | (3.56) | 125           | (.56) | 125           | (.56) | 35    | (15.9) |
| B2043    | 2 3/4"          | (69.8)  | 5/16"-18      | 12                       | (2.6) | 800           | (3.56) | 125           | (.56) | 125           | (.56) | 38    | (17.2) |
| B2014    | 2 7/8"          | (73.0)  | 5/16"-18      | 12                       | (2.6) | 800           | (3.56) | 125           | (.56) | 125           | (.56) | 38    | (17.2) |
| B2045    | 3               | (76.2)  | 5/16"-18      | 12                       | (2.6) | 800           | (3.56) | 125           | (.56) | 125           | (.56) | 38    | (17.2) |
| B2046    | 3 1/8"          | (79.4)  | 5/16"-18      | 12                       | (2.6) | 800           | (3.56) | 125           | (.56) | 125           | (.56) | 39    | (17.7) |
| B2047    | 3 1/4"          | (82.5)  | 5/16"-18      | 12                       | (2.6) | 800           | (3.56) | 125           | (.56) | 125           | (.56) | 41    | (18.6) |
| B2048    | 3 3/8"          | (85.7)  | 5/16"-18      | 12                       | (2.6) | 800           | (3.56) | 125           | (.56) | 125           | (.56) | 43    | (19.5) |
| B2015    | 3 1/2"          | (88.9)  | 5/16"-18      | 12                       | (2.6) | 800           | (3.56) | 125           | (.56) | 125           | (.56) | 44    | (20.0) |
| B2050    | 3 5/8"          | (92.1)  | 5/16"-18      | 11                       | (3.0) | 1000          | (4.45) | 200           | (.89) | 150           | (.67) | 54    | (24.5) |
| B2051    | 3 3/4"          | (95.2)  | 5/16"-18      | 11                       | (3.0) | 1000          | (4.45) | 200           | (.89) | 150           | (.67) | 57    | (25.8) |
| B2052    | 3 7/8"          | (98.4)  | 5/16"-18      | 11                       | (3.0) | 1000          | (4.45) | 200           | (.89) | 150           | (.67) | 55    | (25.0) |
| B2016    | 4               | (101.6) | 5/16"-18      | 11                       | (3.0) | 1000          | (4.45) | 200           | (.89) | 150           | (.67) | 57    | (25.8) |
| B2054    | 4 1/8"          | (104.8) | 5/16"-18      | 11                       | (3.0) | 1000          | (4.45) | 200           | (.89) | 150           | (.67) | 61    | (27.7) |
| B2055    | 4 1/4"          | (107.9) | 5/16"-18      | 11                       | (3.0) | 1000          | (4.45) | 200           | (.89) | 150           | (.67) | 62    | (28.1) |
| B2056    | 4 3/8"          | (111.1) | 5/16"-18      | 11                       | (3.0) | 1000          | (4.45) | 200           | (.89) | 150           | (.67) | 64    | (29.0) |
| B2017    | 4 1/2"          | (114.3) | 5/16"-18      | 11                       | (3.0) | 1000          | (4.45) | 200           | (.89) | 150           | (.67) | 66    | (29.9) |
| B2058    | 4 5/8"          | (117.5) | 5/16"-18      | 11                       | (3.0) | 1000          | (4.45) | 200           | (.89) | 150           | (.67) | 66    | (29.9) |

 4Dimension compatible fitting  
open side only OSO

Reference page 127 for general fitting and standard finish specifications.

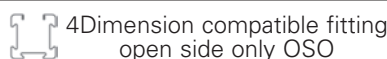
## B2000 Series O.D. Pipe and Conduit Clamps

- Safety Factor of 5
- Add PA to suffix for pre-assembled pipe clamps
- Other sizes available upon request
- Includes Combination Recess Hex Head Machine Screw and Square Nut.
- Material: 16 Ga. (1.5), 14 Ga. (1.9), 12 Ga. (2.6) ASTM A1011 33,000 PSI min. yield and 11 Ga. (3.0) ASTM A1011HSLA Gr. 50
- Standard finishes: ZN, HDG, SS4



### O.D. Clamps

| Part No. | O.D. Size (in.)                  |         | Hardware Size | Material Gauge Thickness |       | Design Load 1 |        | Design Load 2 |        | Design Load 3 |       | Wt./C |        |
|----------|----------------------------------|---------|---------------|--------------------------|-------|---------------|--------|---------------|--------|---------------|-------|-------|--------|
|          | In.                              | mm      |               | In.                      | mm    | Lbs.          | kN     | Lbs.          | kN     | Lbs.          | kN    | Lbs.  | kg     |
| B2059    | 4 <sup>3</sup> / <sub>4</sub> "  | (120.6) | 5/16"-18      | 11                       | (3.0) | 1000          | (4.45) | 200           | (.89)  | 150           | (.67) | 68    | (30.8) |
| B2060    | 4 <sup>7</sup> / <sub>8</sub> "  | (123.8) | 5/16"-18      | 11                       | (3.0) | 1000          | (4.45) | 200           | (.89)  | 150           | (.67) | 69    | (31.3) |
| B2018    | 5                                | (127.0) | 5/16"-18      | 11                       | (3.0) | 1000          | (4.45) | 200           | (.89)  | 150           | (.67) | 70    | (31.8) |
| B2062    | 5 <sup>1</sup> / <sub>8</sub> "  | (130.2) | 5/16"-18      | 11                       | (3.0) | 1000          | (4.45) | 200           | (.89)  | 150           | (.67) | 70    | (31.8) |
| B2063    | 5 <sup>1</sup> / <sub>4</sub> "  | (133.3) | 5/16"-18      | 11                       | (3.0) | 1000          | (4.45) | 200           | (.89)  | 150           | (.67) | 70    | (31.8) |
| B2064    | 5 <sup>3</sup> / <sub>8</sub> "  | (136.5) | 5/16"-18      | 11                       | (3.0) | 1000          | (4.45) | 200           | (.89)  | 150           | (.67) | 77    | (34.9) |
| B2019    | 5 <sup>1</sup> / <sub>2</sub> "  | (139.7) | 5/16"-18      | 11                       | (3.0) | 1000          | (4.45) | 200           | (.89)  | 150           | (.67) | 78    | (35.4) |
| B2066    | 5 <sup>5</sup> / <sub>8</sub> "  | (142.9) | 3/8"-16       | 11                       | (3.0) | 1000          | (4.45) | 200           | (.89)  | 150           | (.67) | 83    | (37.6) |
| B2067    | 5 <sup>3</sup> / <sub>4</sub> "  | (146.0) | 3/8"-16       | 11                       | (3.0) | 1000          | (4.45) | 200           | (.89)  | 150           | (.67) | 84    | (38.1) |
| B2068    | 5 <sup>7</sup> / <sub>8</sub> "  | (149.2) | 3/8"-16       | 11                       | (3.0) | 1000          | (4.45) | 200           | (.89)  | 150           | (.67) | 85    | (38.6) |
| B2069    | 6"                               | (152.4) | 3/8"-16       | 11                       | (3.0) | 1000          | (4.45) | 200           | (.89)  | 150           | (.67) | 87    | (39.5) |
| B2110    | 6 <sup>1</sup> / <sub>8</sub> "  | (155.6) | 3/8"-16       | 11                       | (3.0) | 1000          | (4.45) | 250           | (1.11) | 200           | (.89) | 94    | (42.6) |
| B2111    | 6 <sup>1</sup> / <sub>4</sub> "  | (158.7) | 3/8"-16       | 11                       | (3.0) | 1000          | (4.45) | 250           | (1.11) | 200           | (.89) | 96    | (43.5) |
| B2112    | 6 <sup>3</sup> / <sub>8</sub> "  | (161.9) | 3/8"-16       | 11                       | (3.0) | 1000          | (4.45) | 250           | (1.11) | 200           | (.89) | 98    | (44.4) |
| B2113    | 6 <sup>1</sup> / <sub>2</sub> "  | (165.1) | 3/8"-16       | 11                       | (3.0) | 1000          | (4.45) | 250           | (1.11) | 200           | (.89) | 99    | (44.9) |
| B2020    | 6 <sup>5</sup> / <sub>8</sub> "  | (168.3) | 3/8"-16       | 11                       | (3.0) | 1000          | (4.45) | 250           | (1.11) | 200           | (.89) | 100   | (45.4) |
| B2115    | 6 <sup>3</sup> / <sub>4</sub> "  | (171.4) | 3/8"-16       | 11                       | (3.0) | 1000          | (4.45) | 250           | (1.11) | 200           | (.89) | 102   | (46.3) |
| B2116    | 6 <sup>7</sup> / <sub>8</sub> "  | (174.6) | 3/8"-16       | 11                       | (3.0) | 1000          | (4.45) | 250           | (1.11) | 200           | (.89) | 104   | (47.2) |
| B2117    | 7"                               | (177.8) | 3/8"-16       | 11                       | (3.0) | 1000          | (4.45) | 250           | (1.11) | 200           | (.89) | 106   | (48.1) |
| B2118    | 7 <sup>1</sup> / <sub>8</sub> "  | (181.0) | 3/8"-16       | 11                       | (3.0) | 1000          | (4.45) | 250           | (1.11) | 200           | (.89) | 108   | (49.0) |
| B2119    | 7 <sup>1</sup> / <sub>4</sub> "  | (184.1) | 3/8"-16       | 11                       | (3.0) | 1000          | (4.45) | 250           | (1.11) | 200           | (.89) | 110   | (49.9) |
| B2120    | 7 <sup>3</sup> / <sub>8</sub> "  | (187.3) | 3/8"-16       | 11                       | (3.0) | 1000          | (4.45) | 250           | (1.11) | 200           | (.89) | 112   | (50.8) |
| B2121    | 7 <sup>1</sup> / <sub>2</sub> "  | (190.5) | 3/8"-16       | 11                       | (3.0) | 1000          | (4.45) | 250           | (1.11) | 200           | (.89) | 114   | (51.7) |
| B2021    | 7 <sup>5</sup> / <sub>8</sub> "  | (193.7) | 3/8"-16       | 11                       | (3.0) | 1000          | (4.45) | 250           | (1.11) | 200           | (.89) | 115   | (52.2) |
| B2123    | 7 <sup>3</sup> / <sub>4</sub> "  | (196.8) | 3/8"-16       | 11                       | (3.0) | 1000          | (4.45) | 250           | (1.11) | 200           | (.89) | 117   | (53.1) |
| B2124    | 7 <sup>7</sup> / <sub>8</sub> "  | (200.0) | 3/8"-16       | 11                       | (3.0) | 1000          | (4.45) | 250           | (1.11) | 200           | (.89) | 119   | (54.0) |
| B2125    | 8"                               | (203.2) | 3/8"-16       | 11                       | (3.0) | 1000          | (4.45) | 250           | (1.11) | 200           | (.89) | 121   | (54.9) |
| B2126    | 8 <sup>1</sup> / <sub>8</sub> "  | (206.4) | 3/8"-16       | 11                       | (3.0) | 1000          | (4.45) | 250           | (1.11) | 200           | (.89) | 123   | (55.8) |
| B2127    | 8 <sup>1</sup> / <sub>4</sub> "  | (209.5) | 3/8"-16       | 11                       | (3.0) | 1000          | (4.45) | 250           | (1.11) | 200           | (.89) | 125   | (56.7) |
| B2128    | 8 <sup>3</sup> / <sub>8</sub> "  | (212.7) | 3/8"-16       | 11                       | (3.0) | 1000          | (4.45) | 250           | (1.11) | 200           | (.89) | 126   | (57.2) |
| B2129    | 8 <sup>1</sup> / <sub>2</sub> "  | (215.9) | 3/8"-16       | 11                       | (3.0) | 1000          | (4.45) | 250           | (1.11) | 200           | (.89) | 128   | (58.1) |
| B2022    | 8 <sup>5</sup> / <sub>8</sub> "  | (219.1) | 3/8"-16       | 11                       | (3.0) | 1000          | (4.45) | 250           | (1.11) | 200           | (.89) | 128   | (58.1) |
| B2130    | 10 <sup>3</sup> / <sub>4</sub> " | (273.0) | 3/8"-16       | 11                       | (3.0) | 1000          | (4.45) | 250           | (1.11) | 200           | (.89) | 160   | (72.6) |
| B2132    | 12 <sup>3</sup> / <sub>4</sub> " | (323.8) | 3/8"-16       | 11                       | (3.0) | 1000          | (4.45) | 250           | (1.11) | 200           | (.89) | 185   | (83.9) |

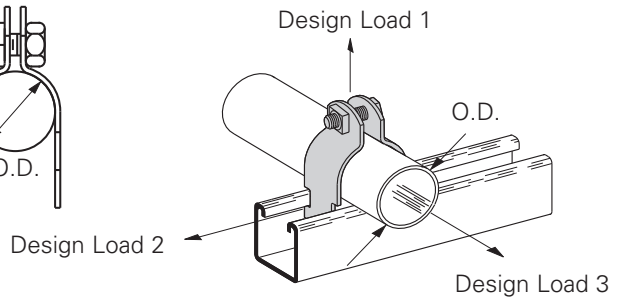
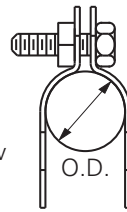


Reference page 127 for general fitting and standard finish specifications.

# Pipe Clamps

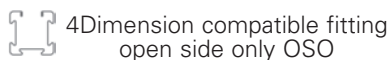
## B2000 Series O.D. Pipe and Conduit Clamps

- Safety Factor of 5
- Add PA to suffix for pre-assembled pipe clamps
- Other sizes available upon request
- Includes Combination Recess Hex Head Machine Screw and Square Nut.
- Material: 16 Ga. (1.5), 14 Ga. (1.9), 12 Ga. (2.6)  
ASTM A1011 33,000 PSI min. yield and 11 Ga. (3.0)  
ASTM A1011HSLA Gr. 50
- Standard finishes: ZN, HDG, SS4



### O.D. Clamps

| Part No. | O.D. Size (in.) |         | Hardware Size | Material Gauge Thickness |       | Design Load 1 |        | Design Load 2 |       | Design Load 3 |       | Wt./C |        |
|----------|-----------------|---------|---------------|--------------------------|-------|---------------|--------|---------------|-------|---------------|-------|-------|--------|
|          | In.             | mm      |               | In.                      | mm    | Lbs.          | kN     | Lbs.          | kN    | Lbs.          | kN    | Lbs.  | kg     |
| B2023    | 1/4"            | (6.3)   | 1/4"-20       | 16                       | (1.5) | 120           | (.54)  | 30            | (.13) | 30            | (.13) | 8     | (3.6)  |
| B2024    | 3/8"            | (9.5)   | 1/4"-20       | 16                       | (1.5) | 300           | (1.33) | 40            | (.18) | 40            | (.18) | 8     | (3.6)  |
| B2025    | 1/2"            | (12.7)  | 1/4"-20       | 16                       | (1.5) | 400           | (1.78) | 50            | (.22) | 50            | (.22) | 9     | (4.1)  |
| B2026    | 5/8"            | (15.9)  | 1/4"-20       | 16                       | (1.5) | 400           | (1.78) | 50            | (.22) | 50            | (.22) | 10    | (4.5)  |
| B2027    | 3/4"            | (19.0)  | 1/4"-20       | 16                       | (1.5) | 400           | (1.78) | 50            | (.22) | 50            | (.22) | 10    | (4.5)  |
| B2008    | 7/8"            | (22.2)  | 1/4"-20       | 16                       | (1.5) | 400           | (1.78) | 50            | (.22) | 50            | (.22) | 11    | (5.0)  |
| B2009    | 1"              | (25.4)  | 1/4"-20       | 14                       | (1.9) | 500           | (2.22) | 75            | (.33) | 75            | (.33) | 15    | (6.8)  |
| B2030    | 1 1/8"          | (28.6)  | 1/4"-20       | 14                       | (1.9) | 600           | (2.67) | 75            | (.33) | 75            | (.33) | 15    | (6.8)  |
| B2031    | 1 1/4"          | (31.7)  | 1/4"-20       | 14                       | (1.9) | 600           | (2.67) | 75            | (.33) | 75            | (.33) | 16    | (7.3)  |
| B2010    | 1 3/8"          | (34.9)  | 1/4"-20       | 14                       | (1.9) | 600           | (2.67) | 75            | (.33) | 75            | (.33) | 17    | (7.7)  |
| B2004    | 1 1/2"          | (38.1)  | 1/4"-20       | 14                       | (1.9) | 600           | (2.67) | 75            | (.33) | 75            | (.33) | 18    | (8.2)  |
| B2011    | 1 5/8"          | (41.3)  | 1/4"-20       | 14                       | (1.9) | 600           | (2.67) | 75            | (.33) | 75            | (.33) | 19    | (8.6)  |
| B2005    | 1 3/4"          | (44.4)  | 5/16"-18      | 12                       | (2.6) | 800           | (3.56) | 125           | (.56) | 125           | (.56) | 29    | (13.1) |
| B2012    | 1 7/8"          | (47.6)  | 5/16"-18      | 12                       | (2.6) | 800           | (3.56) | 125           | (.56) | 125           | (.56) | 30    | (13.6) |
| B2037    | 2               | (50.8)  | 5/16"-18      | 12                       | (2.6) | 800           | (3.56) | 125           | (.56) | 125           | (.56) | 30    | (13.6) |
| B2038    | 2 1/8"          | (54.0)  | 5/16"-18      | 12                       | (2.6) | 800           | (3.56) | 125           | (.56) | 125           | (.56) | 32    | (14.5) |
| B2039    | 2 1/4"          | (57.1)  | 5/16"-18      | 12                       | (2.6) | 800           | (3.56) | 125           | (.56) | 125           | (.56) | 32    | (14.5) |
| B2013    | 2 3/8"          | (60.3)  | 5/16"-18      | 12                       | (2.6) | 800           | (3.56) | 125           | (.56) | 125           | (.56) | 34    | (15.4) |
| B2041    | 2 1/2"          | (63.5)  | 5/16"-18      | 12                       | (2.6) | 800           | (3.56) | 125           | (.56) | 125           | (.56) | 35    | (15.9) |
| B2042    | 2 5/8"          | (66.7)  | 5/16"-18      | 12                       | (2.6) | 800           | (3.56) | 125           | (.56) | 125           | (.56) | 35    | (15.9) |
| B2043    | 2 3/4"          | (69.8)  | 5/16"-18      | 12                       | (2.6) | 800           | (3.56) | 125           | (.56) | 125           | (.56) | 38    | (17.2) |
| B2014    | 2 7/8"          | (73.0)  | 5/16"-18      | 12                       | (2.6) | 800           | (3.56) | 125           | (.56) | 125           | (.56) | 38    | (17.2) |
| B2045    | 3               | (76.2)  | 5/16"-18      | 12                       | (2.6) | 800           | (3.56) | 125           | (.56) | 125           | (.56) | 38    | (17.2) |
| B2046    | 3 1/8"          | (79.4)  | 5/16"-18      | 12                       | (2.6) | 800           | (3.56) | 125           | (.56) | 125           | (.56) | 39    | (17.7) |
| B2047    | 3 1/4"          | (82.5)  | 5/16"-18      | 12                       | (2.6) | 800           | (3.56) | 125           | (.56) | 125           | (.56) | 41    | (18.6) |
| B2048    | 3 3/8"          | (85.7)  | 5/16"-18      | 12                       | (2.6) | 800           | (3.56) | 125           | (.56) | 125           | (.56) | 43    | (19.5) |
| B2015    | 3 1/2"          | (88.9)  | 5/16"-18      | 12                       | (2.6) | 800           | (3.56) | 125           | (.56) | 125           | (.56) | 44    | (20.0) |
| B2050    | 3 5/8"          | (92.1)  | 5/16"-18      | 11                       | (3.0) | 1000          | (4.45) | 200           | (.89) | 150           | (.67) | 54    | (24.5) |
| B2051    | 3 3/4"          | (95.2)  | 5/16"-18      | 11                       | (3.0) | 1000          | (4.45) | 200           | (.89) | 150           | (.67) | 57    | (25.8) |
| B2052    | 3 7/8"          | (98.4)  | 5/16"-18      | 11                       | (3.0) | 1000          | (4.45) | 200           | (.89) | 150           | (.67) | 55    | (25.0) |
| B2016    | 4               | (101.6) | 5/16"-18      | 11                       | (3.0) | 1000          | (4.45) | 200           | (.89) | 150           | (.67) | 57    | (25.8) |
| B2054    | 4 1/8"          | (104.8) | 5/16"-18      | 11                       | (3.0) | 1000          | (4.45) | 200           | (.89) | 150           | (.67) | 61    | (27.7) |
| B2055    | 4 1/4"          | (107.9) | 5/16"-18      | 11                       | (3.0) | 1000          | (4.45) | 200           | (.89) | 150           | (.67) | 62    | (28.1) |
| B2056    | 4 3/8"          | (111.1) | 5/16"-18      | 11                       | (3.0) | 1000          | (4.45) | 200           | (.89) | 150           | (.67) | 64    | (29.0) |
| B2017    | 4 1/2"          | (114.3) | 5/16"-18      | 11                       | (3.0) | 1000          | (4.45) | 200           | (.89) | 150           | (.67) | 66    | (29.9) |
| B2058    | 4 5/8"          | (117.5) | 5/16"-18      | 11                       | (3.0) | 1000          | (4.45) | 200           | (.89) | 150           | (.67) | 66    | (29.9) |

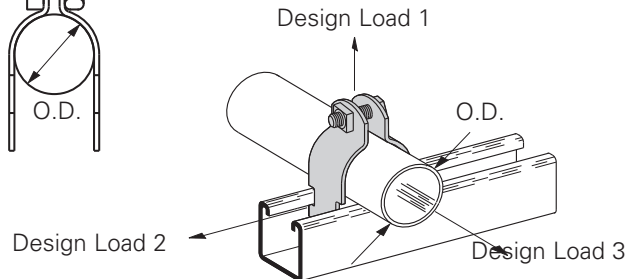
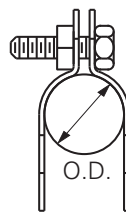


4Dimension compatible fitting  
open side only OSO

Reference page 127 for general fitting and standard finish specifications.

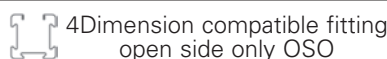
## B2000 Series O.D. Pipe and Conduit Clamps

- Safety Factor of 5
- Add PA to suffix for pre-assembled pipe clamps
- Other sizes available upon request
- Includes Combination Recess Hex Head Machine Screw and Square Nut.
- Material: 16 Ga. (1.5), 14 Ga. (1.9), 12 Ga. (2.6) ASTM A1011 33,000 PSI min. yield and 11 Ga. (3.0) ASTM A1011HSLA Gr. 50
- Standard finishes: ZN, HDG, SS4



## O.D. Clamps

| Part No. | O.D. Size (in.)                  |         | Hardware Size | Material Gauge Thickness |       | Design Load 1 |        | Design Load 2 |        | Design Load 3 |       | Wt./C |        |
|----------|----------------------------------|---------|---------------|--------------------------|-------|---------------|--------|---------------|--------|---------------|-------|-------|--------|
|          | In.                              | mm      |               | In.                      | mm    | Lbs.          | kN     | Lbs.          | kN     | Lbs.          | kN    | Lbs.  | kg     |
| B2059    | 4 <sup>3</sup> / <sub>4</sub> "  | (120.6) | 5/16"-18      | 11                       | (3.0) | 1000          | (4.45) | 200           | (.89)  | 150           | (.67) | 68    | (30.8) |
| B2060    | 4 <sup>7</sup> / <sub>8</sub> "  | (123.8) | 5/16"-18      | 11                       | (3.0) | 1000          | (4.45) | 200           | (.89)  | 150           | (.67) | 69    | (31.3) |
| B2018    | 5                                | (127.0) | 5/16"-18      | 11                       | (3.0) | 1000          | (4.45) | 200           | (.89)  | 150           | (.67) | 70    | (31.8) |
| B2062    | 5 <sup>1</sup> / <sub>8</sub> "  | (130.2) | 5/16"-18      | 11                       | (3.0) | 1000          | (4.45) | 200           | (.89)  | 150           | (.67) | 70    | (31.8) |
| B2063    | 5 <sup>1</sup> / <sub>4</sub> "  | (133.3) | 5/16"-18      | 11                       | (3.0) | 1000          | (4.45) | 200           | (.89)  | 150           | (.67) | 70    | (31.8) |
| B2064    | 5 <sup>3</sup> / <sub>8</sub> "  | (136.5) | 5/16"-18      | 11                       | (3.0) | 1000          | (4.45) | 200           | (.89)  | 150           | (.67) | 77    | (34.9) |
| B2019    | 5 <sup>1</sup> / <sub>2</sub> "  | (139.7) | 5/16"-18      | 11                       | (3.0) | 1000          | (4.45) | 200           | (.89)  | 150           | (.67) | 78    | (35.4) |
| B2066    | 5 <sup>5</sup> / <sub>8</sub> "  | (142.9) | 3/8"-16       | 11                       | (3.0) | 1000          | (4.45) | 200           | (.89)  | 150           | (.67) | 83    | (37.6) |
| B2067    | 5 <sup>3</sup> / <sub>4</sub> "  | (146.0) | 3/8"-16       | 11                       | (3.0) | 1000          | (4.45) | 200           | (.89)  | 150           | (.67) | 84    | (38.1) |
| B2068    | 5 <sup>7</sup> / <sub>8</sub> "  | (149.2) | 3/8"-16       | 11                       | (3.0) | 1000          | (4.45) | 200           | (.89)  | 150           | (.67) | 85    | (38.6) |
| B2069    | 6"                               | (152.4) | 3/8"-16       | 11                       | (3.0) | 1000          | (4.45) | 200           | (.89)  | 150           | (.67) | 87    | (39.5) |
| B2110    | 6 <sup>1</sup> / <sub>8</sub> "  | (155.6) | 3/8"-16       | 11                       | (3.0) | 1000          | (4.45) | 250           | (1.11) | 200           | (.89) | 94    | (42.6) |
| B2111    | 6 <sup>1</sup> / <sub>4</sub> "  | (158.7) | 3/8"-16       | 11                       | (3.0) | 1000          | (4.45) | 250           | (1.11) | 200           | (.89) | 96    | (43.5) |
| B2112    | 6 <sup>3</sup> / <sub>8</sub> "  | (161.9) | 3/8"-16       | 11                       | (3.0) | 1000          | (4.45) | 250           | (1.11) | 200           | (.89) | 98    | (44.4) |
| B2113    | 6 <sup>1</sup> / <sub>2</sub> "  | (165.1) | 3/8"-16       | 11                       | (3.0) | 1000          | (4.45) | 250           | (1.11) | 200           | (.89) | 99    | (44.9) |
| B2020    | 6 <sup>5</sup> / <sub>8</sub> "  | (168.3) | 3/8"-16       | 11                       | (3.0) | 1000          | (4.45) | 250           | (1.11) | 200           | (.89) | 100   | (45.4) |
| B2115    | 6 <sup>3</sup> / <sub>4</sub> "  | (171.4) | 3/8"-16       | 11                       | (3.0) | 1000          | (4.45) | 250           | (1.11) | 200           | (.89) | 102   | (46.3) |
| B2116    | 6 <sup>7</sup> / <sub>8</sub> "  | (174.6) | 3/8"-16       | 11                       | (3.0) | 1000          | (4.45) | 250           | (1.11) | 200           | (.89) | 104   | (47.2) |
| B2117    | 7"                               | (177.8) | 3/8"-16       | 11                       | (3.0) | 1000          | (4.45) | 250           | (1.11) | 200           | (.89) | 106   | (48.1) |
| B2118    | 7 <sup>1</sup> / <sub>8</sub> "  | (181.0) | 3/8"-16       | 11                       | (3.0) | 1000          | (4.45) | 250           | (1.11) | 200           | (.89) | 108   | (49.0) |
| B2119    | 7 <sup>1</sup> / <sub>4</sub> "  | (184.1) | 3/8"-16       | 11                       | (3.0) | 1000          | (4.45) | 250           | (1.11) | 200           | (.89) | 110   | (49.9) |
| B2120    | 7 <sup>3</sup> / <sub>8</sub> "  | (187.3) | 3/8"-16       | 11                       | (3.0) | 1000          | (4.45) | 250           | (1.11) | 200           | (.89) | 112   | (50.8) |
| B2121    | 7 <sup>1</sup> / <sub>2</sub> "  | (190.5) | 3/8"-16       | 11                       | (3.0) | 1000          | (4.45) | 250           | (1.11) | 200           | (.89) | 114   | (51.7) |
| B2021    | 7 <sup>5</sup> / <sub>8</sub> "  | (193.7) | 3/8"-16       | 11                       | (3.0) | 1000          | (4.45) | 250           | (1.11) | 200           | (.89) | 115   | (52.2) |
| B2123    | 7 <sup>3</sup> / <sub>4</sub> "  | (196.8) | 3/8"-16       | 11                       | (3.0) | 1000          | (4.45) | 250           | (1.11) | 200           | (.89) | 117   | (53.1) |
| B2124    | 7 <sup>7</sup> / <sub>8</sub> "  | (200.0) | 3/8"-16       | 11                       | (3.0) | 1000          | (4.45) | 250           | (1.11) | 200           | (.89) | 119   | (54.0) |
| B2125    | 8"                               | (203.2) | 3/8"-16       | 11                       | (3.0) | 1000          | (4.45) | 250           | (1.11) | 200           | (.89) | 121   | (54.9) |
| B2126    | 8 <sup>1</sup> / <sub>8</sub> "  | (206.4) | 3/8"-16       | 11                       | (3.0) | 1000          | (4.45) | 250           | (1.11) | 200           | (.89) | 123   | (55.8) |
| B2127    | 8 <sup>1</sup> / <sub>4</sub> "  | (209.5) | 3/8"-16       | 11                       | (3.0) | 1000          | (4.45) | 250           | (1.11) | 200           | (.89) | 125   | (56.7) |
| B2128    | 8 <sup>3</sup> / <sub>8</sub> "  | (212.7) | 3/8"-16       | 11                       | (3.0) | 1000          | (4.45) | 250           | (1.11) | 200           | (.89) | 126   | (57.2) |
| B2129    | 8 <sup>1</sup> / <sub>2</sub> "  | (215.9) | 3/8"-16       | 11                       | (3.0) | 1000          | (4.45) | 250           | (1.11) | 200           | (.89) | 128   | (58.1) |
| B2022    | 8 <sup>5</sup> / <sub>8</sub> "  | (219.1) | 3/8"-16       | 11                       | (3.0) | 1000          | (4.45) | 250           | (1.11) | 200           | (.89) | 128   | (58.1) |
| B2130    | 10 <sup>3</sup> / <sub>4</sub> " | (273.0) | 3/8"-16       | 11                       | (3.0) | 1000          | (4.45) | 250           | (1.11) | 200           | (.89) | 160   | (72.6) |
| B2132    | 12 <sup>3</sup> / <sub>4</sub> " | (323.8) | 3/8"-16       | 11                       | (3.0) | 1000          | (4.45) | 250           | (1.11) | 200           | (.89) | 185   | (83.9) |



Reference page 127 for general fitting and standard finish specifications.