

H-MOSS® Controls Adaptive Dual (Ultrasonic and Passive Infrared) Ceiling Sensors

HUBBELL

Features

- Coverage 2000 sq. ft. (360°), low voltage sensor
- Minimize the risk of false triggering; lights turning ON when the space is un-occupied. Offer the best performance for most applications
- Office White ABS enclosure blends with ceiling tile
- Red LED indicates passive infrared detection and Green LED indicates ultrasonic detection
- "Install and Forget" operation. Auto-adjusting adaptive technology eliminates manual adjustments

Ordering Information

Description	Device Color	UPC Number	Catalog Number
Low voltage sensor	Office White	783585392431	ATD2000C

Listings

cULus listed to UL244A
ASHRAE 90.1 compliant
CEC Title 24 compliant

Specifications

Housing	Flame retardant UL 94 V-0 ABS
Lens	Polyethylene
Dimensions	1.5"H x 4.5"D
Mounting Height	8 to 12 feet

Performance

Controls

Ambient Light	1 to 1000 foot candles
Sensitivity	Adaptive 0 to 100%
Time Delay	Test (8 seconds), adaptive 8 to 40 minutes

Electrical

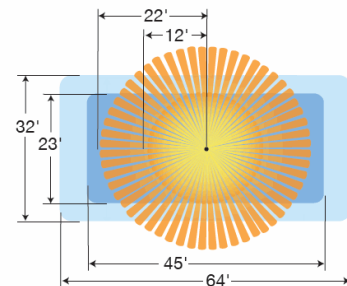
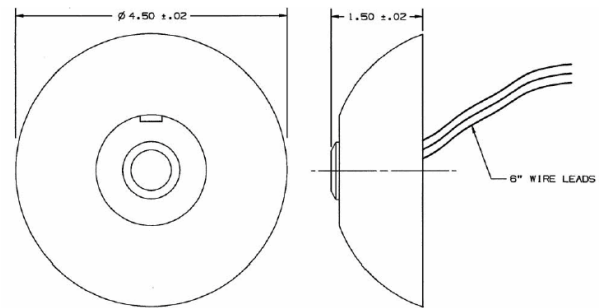
Power Requirements	24V DC nominal, 33mA from Hubbell CU series control unit
--------------------	----------------------------------------------------------

Environmental

Operating Temperature	32°F to 104°F (0°C to 40°C) with rate of change not exceeding 20°F (11°C) per hour
Storage Temperature	-20°F to 150°F (-29°C to 65°C); 0% to 95% non-condensing relative humidity

Sensing Indicators

Passive Infrared	Red LED
Ultrasonic	Green LED



Complementary Products

Control Unit Auto-ON	CU300A
Control Unit Manual-ON	CU300M
Control Unit, HD, Latching, Auto/Manual-ON	CU300HD
Ceiling mount wire guard	ACMG
Ceiling mount raceway adapter	ACMRA

Online Resources

Customer Use Drawing
eCatalog
Installation Instructions

Dimensions in Inches (mm)

Hubbell Wiring Device-Kellems • Hubbell Incorporated (Delaware) • 40 Waterview Drive • Shelton, CT 06484

Phone (800) 288-6000 • Fax (800) 255-1031 • Specifications subject to change without notice.

