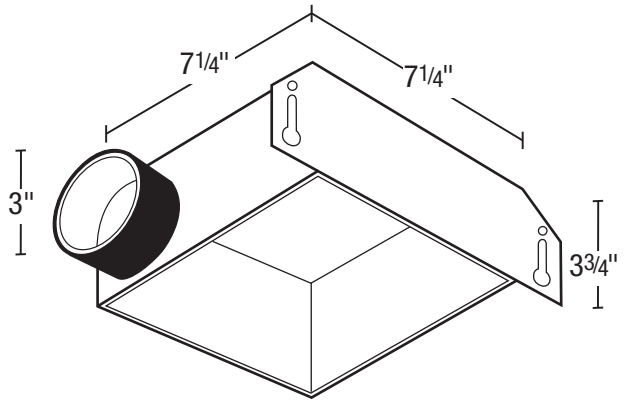




SPECIFICATIONS
ASHSG
 EXHAUST FAN HOUSING

Exhaust Fan Housing

- **Fan Housing**
 23 gauge galvanized metal housing.
 Dimensions 7 1/4" x 7 1/4" x 3 3/4".
- **Duct Collar**
 Plastic collar for 3" duct connection, comes complete with built in non-metallic back draft damper for quiet operation.
- **Unit Mounting**
 Rated for ceilings insulated to R-40. Designed to mount in ceilings or walls with at least 4" of clearance. The housing will mount through drywall thickness up to 3/4", with a rough-in opening of 7 1/2" x 7 1/2".
- **Electrical Connections**
 1/2" electrical knockouts provided.
- **Available Trim Kits**
 AS50MBG: 50 CFM
 AS60MBG: 60 CFM
 AS70MBG: 70 CFM
- **Shipping Info**
 Number of Housings in Box: 6
 UPC Code: 083162222619



Housing ONLY. Must be combined with ASMBG series trim kit (sold separately)

PROJECT					ARCHITECT				
LOCATION					ENGINEER				
CONTRACTOR					SUBMITTED BY			DATE	
FAN NUMBER	MODEL NUMBER	CFM	IN W.G.	RPM	WATTS	AMPS	SONES	QTY	OPTIONAL EQUIPMENT & REMARKS



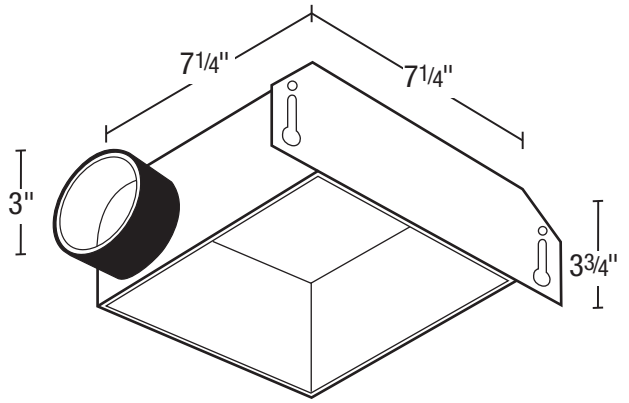
820 Lincoln Avenue
 West Chester, Pennsylvania 19380-4466
 Tel: (610) 692-7400 • 877-304-3785
 Fax: (610) 696-8048



SPECIFICATIONS
ASHSG
 EXHAUST FAN HOUSING

Exhaust Fan Housing

- **Fan Housing**
 23 gauge galvanized metal housing.
 Dimensions 7 1/4" x 7 1/4" x 3 3/4".
- **Duct Collar**
 Plastic collar for 3" duct connection, comes complete with built in non-metallic back draft damper for quiet operation.
- **Unit Mounting**
 Rated for ceilings insulated to R-40. Designed to mount in ceilings or walls with at least 4" of clearance. The housing will mount through drywall thickness up to 3/4", with a rough-in opening of 7 1/2" x 7 1/2".
- **Electrical Connections**
 1/2" electrical knockouts provided.
- **Available Trim Kits**
 AS50MBG: 50 CFM
 AS60MBG: 60 CFM
 AS70MBG: 70 CFM
- **Shipping Info**
 Number of Housings in Box: 6
 UPC Code: 083162222619



Housing ONLY. Must be combined with ASMBG series trim kit (sold separately)

PROJECT					ARCHITECT				
LOCATION					ENGINEER				
CONTRACTOR					SUBMITTED BY			DATE	
FAN NUMBER	MODEL NUMBER	CFM	IN W.G.	RPM	WATTS	AMPS	SONES	QTY	OPTIONAL EQUIPMENT & REMARKS



820 Lincoln Avenue
 West Chester, Pennsylvania 19380-4466
 Tel: (610) 692-7400 • 877-304-3785
 Fax: (610) 696-8048