

# COOPER LIGHTING - ALL PRO®

## DESCRIPTION

APT is a T8 based lensed troffer designed for general purpose applications. Shallow, low profile housing is compatible with even highly restrictive plenums and are compatible with today's ceiling systems.

APT is a great choice for commercial offices, schools, hospitals, retail merchandising and many other applications.

|                    |  |             |
|--------------------|--|-------------|
| <b>Catalog #</b>   |  | <b>Type</b> |
| <b>Project</b>     |  |             |
| <b>Comments</b>    |  | <b>Date</b> |
| <b>Prepared by</b> |  |             |

## SPECIFICATION FEATURES

### Construction

Low profile recessed housing is constructed of die formed of code gauge steel and unibody endplate for added strength. Ballast cover is easily removed without tools. Captive lampholder bracket fully encloses lampholder wiring for easy lampholder replacement. KO's are provided for continuous row wiring.

### Electrical\*\*

Equipped with T8 NEMA premium ballast. Rotor-lock lampholders. UL/CUL listed. Suitable for damp locations.

### Finish

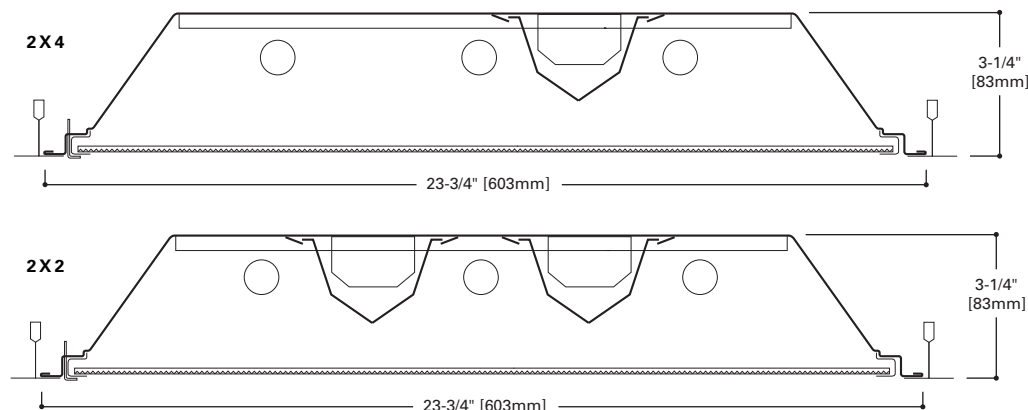
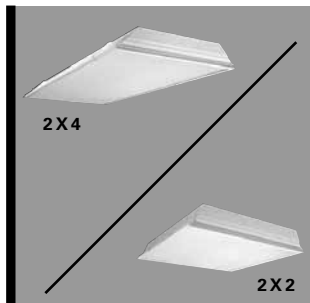
Baked white enamel finish with lighting grade reflectance for high efficiency.

### Hinging/Latching

Spring loaded latches and safety lock T-hinges provide secure door fit and allow hinging and latching from either side.

### Frame/Shielding

Flat steel door is die formed with reinforced mitered corners. Housing and door frame assemblies incorporate full width mechanical light traps. Light stabilized, acrylic prismatic lens.



| Catalog Number | Product Description                                  | Wattage | UPC          |
|----------------|--|---------|--------------|
| APT-432        | 2'X4', 4 LAMP, T8, LENSED TROFFER                    | 32W     | 080083621934 |
| APT-332        | 2'X4', 3 LAMP, T8, LENSED TROFFER                    | 32W     | 080083621941 |
| APT-432-L741   | 2'X4', 4 LAMP, T8, LENSED TROFFER W/741 LAMPS        | 32W     | 080083621965 |
| APT-432-L735   | 2'X4', 4 LAMP, T8, LENSED TROFFER W/735 LAMPS        | 32W     | 080083621972 |
| APT-432-L735F  | 2'X4', 4 LAMP, T8, LENSED TROFFER W/735 LAMPS & FLEX | 32W     | 080083621989 |
| APT-332-L735F  | 2'X4', 3 LAMP, T8, LENSED TROFFER W/735 LAMPS & FLEX | 32W     | 080083621996 |
| APT-232        | 2'X4', 2 LAMP, T8, LENSED TROFFER                    | 32W     | 080083622009 |
| APT-332-L735   | 2'X4', 3 LAMP, T8, LENSED TROFFER W/735 LAMPS        | 32W     | 080083622016 |
| APT-332-2EB    | 2'X4', 3 LAMP, T8, LENSED TROFFER W/TWO BALLAST      | 32W     | 080083622023 |
| APT-432-2EB    | 2'X4', 4 LAMP, T8, LENSED TROFFER W/TWO BALLAST      | 32W     | 080083622030 |
| APT-432-L741F  | 2'X4', 4 LAMP, T8, LENSED TROFFER W/741 LAMPS & FLEX | 32W     | 080083622047 |
| APT-332-L741   | 2'X4', 3 LAMP, T8, LENSED TROFFER W/741 LAMPS        | 32W     | 080083622054 |
| APT-332-L741F  | 2'X4', 3 LAMP, T8, LENSED TROFFER W/741 LAMPS & FLEX | 32W     | 080083622061 |
| APT-232-L735F  | 2'X4', 2 LAMP, T8, LENSED TROFFER W/741 LAMPS & FLEX | 32W     | 080083622078 |
| APT-2U6T8      | 2'X2', 2 - U6T8 LAMP, T8, LENSED TROFFER             | 32W     | 080083621958 |

**APT**  
432  
332  
232

General Purpose  
T8 Commercial Troffer

## SHIPPING INFORMATION

| Catalog Number | WGT.  | Pallet Qty. |
|----------------|-------|-------------|
| APT-432        | 20.5  | 28          |
| APT-332        | 20.5  | 28          |
| APT-432-L741   | 21.9  | 28          |
| APT-432-L735   | 21.9  | 28          |
| APT-432-L735F  | 21.9  | 28          |
| APT-332-L735F  | 21.55 | 28          |
| APT-232        | 20.5  | 28          |
| APT-332-L735   | 21.55 | 28          |
| APT-332-2EB    | 20.5  | 28          |
| APT-432-2EB    | 20.5  | 28          |
| APT-432-L741F  | 23.88 | 28          |
| APT-332-L741   | 21.9  | 28          |
| APT-332-L741F  | 23.88 | 28          |
| APT-232-L735F  | 23.53 | 28          |
| APT-2U6T8      | 12.2  | 56          |

LAMPS CONTAIN MERCURY. DISPOSE ACCORDING TO LOCAL, STATE OR FEDERAL LAWS

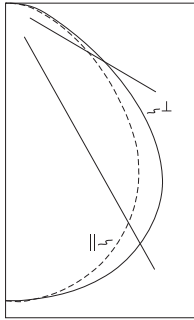
**LINEAR DISCONNECT**

Safe and convenient means of disconnecting power.

\*\*Reference the lamp/ballast data in the Technical Section for specific lamp/ballast requirements.



PHOTOMETRICS



**APT-332**  
 Electronic Ballast  
 (3) F28T8 lamps  
 3100 lumens  
 Spacing criterion:  
 (||) 1.2 x mounting  
 height, (⊥) 1.4 x  
 mounting height  
 Efficiency 77.6%  
 Test Report:  
 APT332

**Candela**

| Angle | Along | 45°  | Across ⊥ |
|-------|-------|------|----------|
| 0     | 2717  | 2717 | 2717     |
| 5     | 2719  | 2706 | 2716     |
| 10    | 2684  | 2685 | 2708     |
| 15    | 2622  | 2648 | 2691     |
| 20    | 2537  | 2592 | 2655     |
| 25    | 2419  | 2510 | 2594     |
| 30    | 2276  | 2400 | 2503     |
| 35    | 2101  | 2256 | 2383     |
| 40    | 1888  | 2059 | 2225     |
| 45    | 1630  | 1808 | 1991     |
| 50    | 1342  | 1537 | 1688     |
| 55    | 1082  | 1248 | 1345     |
| 60    | 847   | 928  | 1011     |
| 65    | 640   | 632  | 731      |
| 70    | 471   | 405  | 527      |
| 75    | 333   | 271  | 394      |
| 80    | 237   | 206  | 295      |
| 85    | 127   | 127  | 169      |
| 90    | 12    | 25   | 36       |

**Coefficients of Utilization**

| rc  | Effective floor cavity reflectance |    |    |     |    |    |     |    |    |     |    |    |     |    |    |    |    |    |
|-----|------------------------------------|----|----|-----|----|----|-----|----|----|-----|----|----|-----|----|----|----|----|----|
|     | 80%                                |    |    | 70% |    |    | 50% |    |    | 30% |    |    | 10% |    |    | 0% |    |    |
| rw  | 70                                 | 50 | 30 | 10  | 70 | 50 | 30  | 10 | 50 | 30  | 10 | 50 | 30  | 10 | 50 | 30 | 10 | 0  |
| RCR |                                    |    |    |     |    |    |     |    |    |     |    |    |     |    |    |    |    |    |
| 0   | 92                                 | 92 | 92 | 92  | 90 | 90 | 90  | 90 | 86 | 86  | 86 | 82 | 82  | 82 | 79 | 79 | 79 | 78 |
| 1   | 85                                 | 81 | 78 | 75  | 83 | 80 | 77  | 74 | 76 | 74  | 72 | 73 | 71  | 70 | 70 | 69 | 67 | 66 |
| 2   | 78                                 | 72 | 67 | 62  | 76 | 70 | 65  | 62 | 67 | 63  | 60 | 65 | 62  | 59 | 62 | 60 | 57 | 56 |
| 3   | 71                                 | 63 | 57 | 52  | 69 | 62 | 56  | 52 | 60 | 55  | 51 | 58 | 54  | 50 | 56 | 52 | 49 | 48 |
| 4   | 65                                 | 56 | 50 | 45  | 64 | 55 | 49  | 45 | 53 | 48  | 44 | 52 | 47  | 43 | 50 | 46 | 43 | 41 |
| 5   | 60                                 | 51 | 44 | 39  | 59 | 50 | 43  | 39 | 48 | 43  | 38 | 47 | 42  | 38 | 45 | 41 | 37 | 36 |
| 6   | 56                                 | 46 | 39 | 34  | 54 | 45 | 39  | 34 | 44 | 38  | 34 | 42 | 37  | 33 | 41 | 37 | 33 | 32 |
| 7   | 52                                 | 41 | 35 | 30  | 50 | 41 | 35  | 30 | 40 | 34  | 30 | 39 | 33  | 30 | 38 | 33 | 29 | 28 |
| 8   | 48                                 | 38 | 31 | 27  | 47 | 37 | 31  | 27 | 36 | 31  | 27 | 35 | 30  | 27 | 34 | 30 | 26 | 25 |
| 9   | 45                                 | 35 | 29 | 24  | 44 | 34 | 28  | 24 | 33 | 28  | 24 | 33 | 28  | 24 | 32 | 27 | 24 | 23 |
| 10  | 42                                 | 32 | 26 | 22  | 41 | 32 | 26  | 22 | 31 | 26  | 22 | 30 | 25  | 22 | 30 | 25 | 22 | 20 |

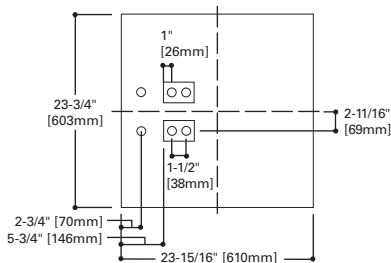
**Zonal Lumen Summary**

| Zone  | Lumens | %Lamp | %Fixture |
|-------|--------|-------|----------|
| 0-30  | 2162   | 23.2  | 30.0     |
| 0-40  | 3564   | 38.3  | 49.4     |
| 0-60  | 6046   | 65.0  | 83.8     |
| 0-90  | 7213   | 77.6  | 100.0    |
| 0-180 | 7213   | 77.6  | 100.0    |

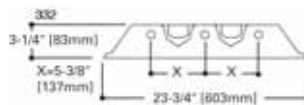
**Luminance Data**

| Angle in Deg | Average 0-Deg cd/sm | Average 45-Deg cd/sm | Average 90-Deg cd/sm |
|--------------|---------------------|----------------------|----------------------|
| 45           | 3697                | 4101                 | 4516                 |
| 55           | 3026                | 3490                 | 3761                 |
| 65           | 2429                | 2399                 | 2774                 |
| 75           | 2064                | 1679                 | 2442                 |
| 85           | 2337                | 2337                 | 3110                 |

**MOUNTING DATA**



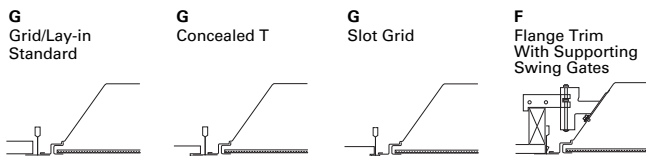
**LAMP CONFIGURATIONS**



**DOOR FRAMES**



**CEILING COMPATIBILITY**



| Ceiling Type | Trim Type |
|--------------|-----------|
| Exposed Grid | G         |
| Concealed T  | G         |
| Slot Grid    | G         |
| Flange       | G***      |

\*Standard G (Grid) Type Fixtures can be field converted by adding trim kits. See Compatibility Section or Consult Factory.

\*\*\*When ordering Flange Kit for installation in drywall ceilings, see options and accessories compatibility section and ordering logic.

For complete product data, reference the Fluorescent Specification binder. Specifications & dimensions subject to change without notice. Consult your Cooper Lighting Representative for availability and ordering information.

# COOPER LIGHTING - ALL PRO®

## DESCRIPTION

APT is a T8 based lensed troffer designed for general purpose applications. Shallow, low profile housing is compatible with even highly restrictive plenums and are compatible with today's ceiling systems.

APT is a great choice for commercial offices, schools, hospitals, retail merchandising and many other applications.

|                    |  |             |
|--------------------|--|-------------|
| <b>Catalog #</b>   |  | <b>Type</b> |
| <b>Project</b>     |  |             |
| <b>Comments</b>    |  | <b>Date</b> |
| <b>Prepared by</b> |  |             |

## SPECIFICATION FEATURES

### Construction

Low profile recessed housing is constructed of die formed of code gauge steel and unibody endplate for added strength. Ballast cover is easily removed without tools. Captive lampholder bracket fully encloses lampholder wiring for easy lampholder replacement. KO's are provided for continuous row wiring.

### Electrical\*\*

Equipped with T8 NEMA premium ballast. Rotor-lock lampholders. UL/CUL listed. Suitable for damp locations.

### Finish

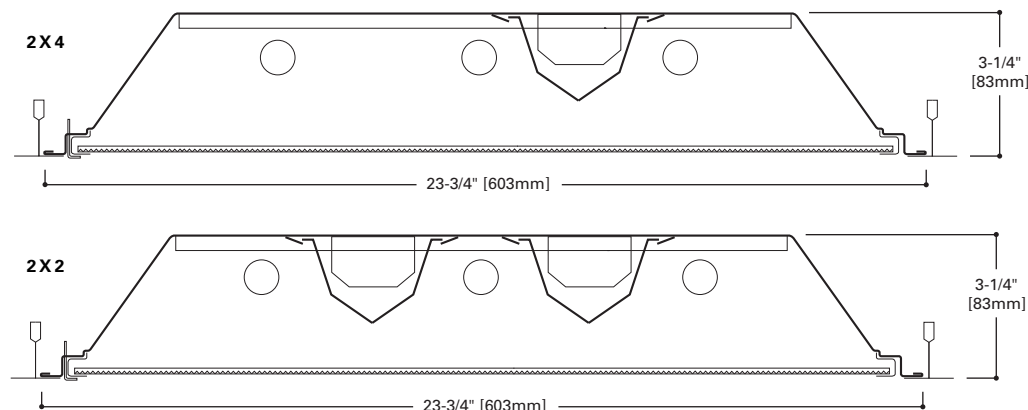
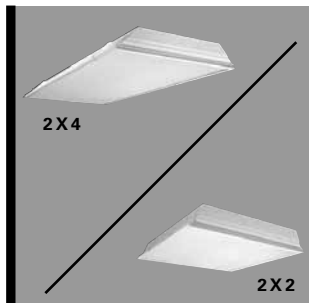
Baked white enamel finish with lighting grade reflectance for high efficiency.

### Hinging/Latching

Spring loaded latches and safety lock T-hinges provide secure door fit and allow hinging and latching from either side.

### Frame/Shielding

Flat steel door is die formed with reinforced mitered corners. Housing and door frame assemblies incorporate full width mechanical light traps. Light stabilized, acrylic prismatic lens.



| Catalog Number | Product Description                                  | Wattage | UPC          |
|----------------|--|---------|--------------|
| APT-432        | 2'X4', 4 LAMP, T8, LENSED TROFFER                    | 32W     | 080083621934 |
| APT-332        | 2'X4', 3 LAMP, T8, LENSED TROFFER                    | 32W     | 080083621941 |
| APT-432-L741   | 2'X4', 4 LAMP, T8, LENSED TROFFER W/741 LAMPS        | 32W     | 080083621965 |
| APT-432-L735   | 2'X4', 4 LAMP, T8, LENSED TROFFER W/735 LAMPS        | 32W     | 080083621972 |
| APT-432-L735F  | 2'X4', 4 LAMP, T8, LENSED TROFFER W/735 LAMPS & FLEX | 32W     | 080083621989 |
| APT-332-L735F  | 2'X4', 3 LAMP, T8, LENSED TROFFER W/735 LAMPS & FLEX | 32W     | 080083621996 |
| APT-232        | 2'X4', 2 LAMP, T8, LENSED TROFFER                    | 32W     | 080083622009 |
| APT-332-L735   | 2'X4', 3 LAMP, T8, LENSED TROFFER W/735 LAMPS        | 32W     | 080083622016 |
| APT-332-2EB    | 2'X4', 3 LAMP, T8, LENSED TROFFER W/TWO BALLAST      | 32W     | 080083622023 |
| APT-432-2EB    | 2'X4', 4 LAMP, T8, LENSED TROFFER W/TWO BALLAST      | 32W     | 080083622030 |
| APT-432-L741F  | 2'X4', 4 LAMP, T8, LENSED TROFFER W/741 LAMPS & FLEX | 32W     | 080083622047 |
| APT-332-L741   | 2'X4', 3 LAMP, T8, LENSED TROFFER W/741 LAMPS        | 32W     | 080083622054 |
| APT-332-L741F  | 2'X4', 3 LAMP, T8, LENSED TROFFER W/741 LAMPS & FLEX | 32W     | 080083622061 |
| APT-232-L735F  | 2'X4', 2 LAMP, T8, LENSED TROFFER W/741 LAMPS & FLEX | 32W     | 080083622078 |
| APT-2U6T8      | 2'X2', 2 - U6T8 LAMP, T8, LENSED TROFFER             | 32W     | 080083621958 |

**APT**  
432  
332  
232

General Purpose  
T8 Commercial Troffer

## SHIPPING INFORMATION

| Catalog Number | WGT.  | Pallet Qty. |
|----------------|-------|-------------|
| APT-432        | 20.5  | 28          |
| APT-332        | 20.5  | 28          |
| APT-432-L741   | 21.9  | 28          |
| APT-432-L735   | 21.9  | 28          |
| APT-432-L735F  | 21.9  | 28          |
| APT-332-L735F  | 21.55 | 28          |
| APT-232        | 20.5  | 28          |
| APT-332-L735   | 21.55 | 28          |
| APT-332-2EB    | 20.5  | 28          |
| APT-432-2EB    | 20.5  | 28          |
| APT-432-L741F  | 23.88 | 28          |
| APT-332-L741   | 21.9  | 28          |
| APT-332-L741F  | 23.88 | 28          |
| APT-232-L735F  | 23.53 | 28          |
| APT-2U6T8      | 12.2  | 56          |

LAMPS CONTAIN MERCURY. DISPOSE ACCORDING TO LOCAL, STATE OR FEDERAL LAWS

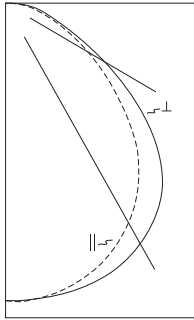
**LINEAR DISCONNECT**

Safe and convenient means of disconnecting power.

\*\*Reference the lamp/ballast data in the Technical Section for specific lamp/ballast requirements.



PHOTOMETRICS



**APT-332**  
 Electronic Ballast  
 (3) F28T8 lamps  
 3100 lumens  
 Spacing criterion:  
 (||) 1.2 x mounting  
 height, (⊥) 1.4 x  
 mounting height  
 Efficiency 77.6%  
 Test Report:  
 APT332

**Candela**

| Angle | Along | 45°  | Across ⊥ |
|-------|-------|------|----------|
| 0     | 2717  | 2717 | 2717     |
| 5     | 2719  | 2706 | 2716     |
| 10    | 2684  | 2685 | 2708     |
| 15    | 2622  | 2648 | 2691     |
| 20    | 2537  | 2592 | 2655     |
| 25    | 2419  | 2510 | 2594     |
| 30    | 2276  | 2400 | 2503     |
| 35    | 2101  | 2256 | 2383     |
| 40    | 1888  | 2059 | 2225     |
| 45    | 1630  | 1808 | 1991     |
| 50    | 1342  | 1537 | 1688     |
| 55    | 1082  | 1248 | 1345     |
| 60    | 847   | 928  | 1011     |
| 65    | 640   | 632  | 731      |
| 70    | 471   | 405  | 527      |
| 75    | 333   | 271  | 394      |
| 80    | 237   | 206  | 295      |
| 85    | 127   | 127  | 169      |
| 90    | 12    | 25   | 36       |

**Coefficients of Utilization**

| rc         | Effective floor cavity reflectance |    |    |     |    |    |     |    |    |     |    |    |     |    |    |    |    |    |
|------------|------------------------------------|----|----|-----|----|----|-----|----|----|-----|----|----|-----|----|----|----|----|----|
|            | 80%                                |    |    | 70% |    |    | 50% |    |    | 30% |    |    | 10% |    |    | 0% |    |    |
| rw         | 70                                 | 50 | 30 | 10  | 70 | 50 | 30  | 10 | 50 | 30  | 10 | 50 | 30  | 10 | 50 | 30 | 10 | 0  |
| <b>RCR</b> |                                    |    |    |     |    |    |     |    |    |     |    |    |     |    |    |    |    |    |
| 0          | 92                                 | 92 | 92 | 92  | 90 | 90 | 90  | 90 | 86 | 86  | 86 | 82 | 82  | 82 | 79 | 79 | 79 | 78 |
| 1          | 85                                 | 81 | 78 | 75  | 83 | 80 | 77  | 74 | 76 | 74  | 72 | 73 | 71  | 70 | 70 | 69 | 67 | 66 |
| 2          | 78                                 | 72 | 67 | 62  | 76 | 70 | 65  | 62 | 67 | 63  | 60 | 65 | 62  | 59 | 62 | 60 | 57 | 56 |
| 3          | 71                                 | 63 | 57 | 52  | 69 | 62 | 56  | 52 | 60 | 55  | 51 | 58 | 54  | 50 | 56 | 52 | 49 | 48 |
| 4          | 65                                 | 56 | 50 | 45  | 64 | 55 | 49  | 45 | 53 | 48  | 44 | 52 | 47  | 43 | 50 | 46 | 43 | 41 |
| 5          | 60                                 | 51 | 44 | 39  | 59 | 50 | 43  | 39 | 48 | 43  | 38 | 47 | 42  | 38 | 45 | 41 | 37 | 36 |
| 6          | 56                                 | 46 | 39 | 34  | 54 | 45 | 39  | 34 | 44 | 38  | 34 | 42 | 37  | 33 | 41 | 37 | 33 | 32 |
| 7          | 52                                 | 41 | 35 | 30  | 50 | 41 | 35  | 30 | 40 | 34  | 30 | 39 | 33  | 30 | 38 | 33 | 29 | 28 |
| 8          | 48                                 | 38 | 31 | 27  | 47 | 37 | 31  | 27 | 36 | 31  | 27 | 35 | 30  | 27 | 34 | 30 | 26 | 25 |
| 9          | 45                                 | 35 | 29 | 24  | 44 | 34 | 28  | 24 | 33 | 28  | 24 | 33 | 28  | 24 | 32 | 27 | 24 | 23 |
| 10         | 42                                 | 32 | 26 | 22  | 41 | 32 | 26  | 22 | 31 | 26  | 22 | 30 | 25  | 22 | 30 | 25 | 22 | 20 |

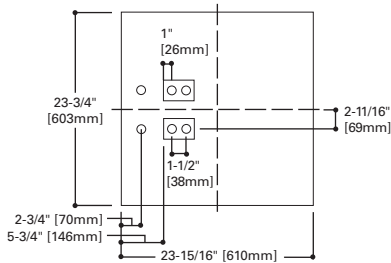
**Zonal Lumen Summary**

| Zone  | Lumens | %Lamp | %Fixture |
|-------|--------|-------|----------|
| 0-30  | 2162   | 23.2  | 30.0     |
| 0-40  | 3564   | 38.3  | 49.4     |
| 0-60  | 6046   | 65.0  | 83.8     |
| 0-90  | 7213   | 77.6  | 100.0    |
| 0-180 | 7213   | 77.6  | 100.0    |

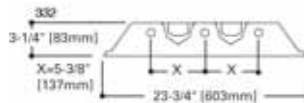
**Luminance Data**

| Angle in Deg | Average 0-Deg cd/sm | Average 45-Deg cd/sm | Average 90-Deg cd/sm |
|--------------|---------------------|----------------------|----------------------|
| 45           | 3697                | 4101                 | 4516                 |
| 55           | 3026                | 3490                 | 3761                 |
| 65           | 2429                | 2399                 | 2774                 |
| 75           | 2064                | 1679                 | 2442                 |
| 85           | 2337                | 2337                 | 3110                 |

**MOUNTING DATA**



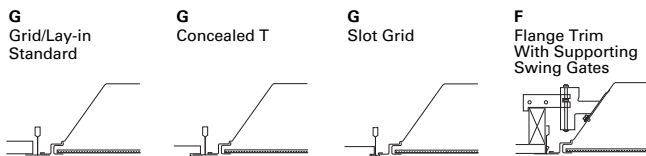
**LAMP CONFIGURATIONS**



**DOOR FRAMES**



**CEILING COMPATIBILITY**



| Ceiling Type | Trim Type |
|--------------|-----------|
| Exposed Grid | G         |
| Concealed T  | G         |
| Slot Grid    | G         |
| Flange       | G***      |

\*Standard G (Grid) Type Fixtures can be field converted by adding trim kits. See Compatibility Section or Consult Factory.

\*\*\*When ordering Flange Kit for installation in drywall ceilings, see options and accessories compatibility section and ordering logic.

For complete product data, reference the Fluorescent Specification binder. Specifications & dimensions subject to change without notice. Consult your Cooper Lighting Representative for availability and ordering information.