

## DESCRIPTION

The ALL-PRO™ Fluorescent Safety and Security light is a dependable and reliable outdoor security lighting solution. This product is an easy to install, high quality and durable lighting solution ideal for residential and commercial applications. Perfect for lighting dark, secluded areas or any place where a medium to large concentration of light is needed.

<b>Catalog #</b>		<b>Type</b>
<b>Project</b>		
<b>Comments</b>		<b>Date</b>
<b>Prepared by</b>		

## SPECIFICATION FEATURES

### Construction

- Heavy duty corrosion-resistant die-cast metal housing
- High impact lens
- Suitable for wall or pole mounting applications

### Electrical

- 8,000 hours of life
- Fixture operating temperature range from -15°C to 40°C
- Integral dusk to dawn photo control included
- Electrical operating voltage 120VAC 50/60Hz
- cULus listed for Wet locations

### Optical

- 65W Fluorescent, mogul base bulb required
- Bulb rated lumens of 3600
- Available 6500K

### Warranty

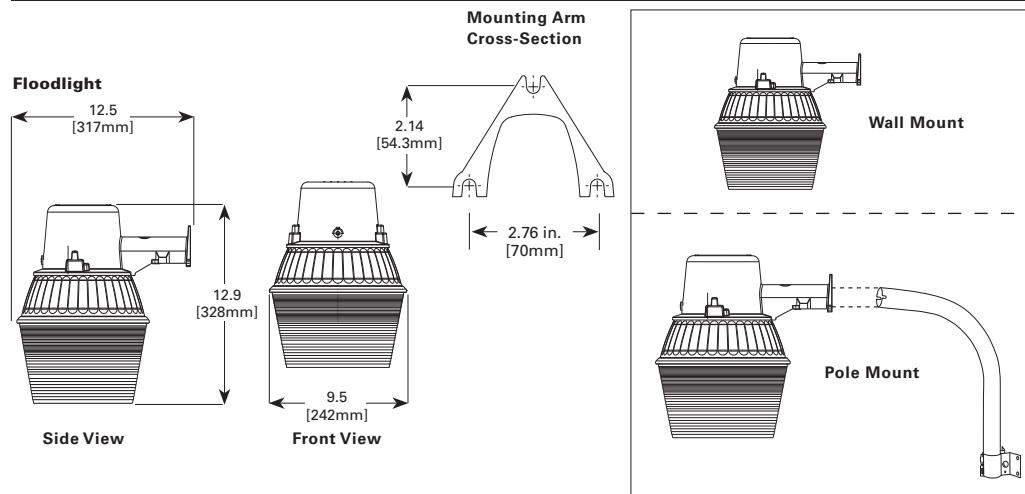
Two-year limited warranty.



## FLUORESCENT SAFETY AND SECURITY LIGHT

Security Floodlight

## DIMENSIONS



## TECHNICAL INFORMATION

Model	Description	Voltage	Power	*Lamp Lumens	Color Temperature (K)
AL6501FL	65W Fluorescent Area Light	120V	65	3600	6500K

\*Not fixture delivered lumens

**CERTIFICATION DATA**  
UL/CUL Wet Location Listed

**TECHNICAL DATA**  
120V only  
-15°C Temperature Rating  
External Supply Wiring 90 C Minimum  
Wall and Pole Mount

For complete product data, reference the Fluorescent Specification binder. Specifications & dimensions subject to change without notice. Consult your Eaton Representative for availability and ordering information.



## DESCRIPTION

The ALL-PRO™ Fluorescent Safety and Security light is a dependable and reliable outdoor security lighting solution. This product is an easy to install, high quality and durable lighting solution ideal for residential and commercial applications. Perfect for lighting dark, secluded areas or any place where a medium to large concentration of light is needed.

<b>Catalog #</b>		<b>Type</b>
<b>Project</b>		
<b>Comments</b>		<b>Date</b>
<b>Prepared by</b>		

## SPECIFICATION FEATURES

### Construction

- Heavy duty corrosion-resistant die-cast metal housing
- High impact lens
- Suitable for wall or pole mounting applications

### Electrical

- 8,000 hours of life
- Fixture operating temperature range from -15°C to 40°C
- Integral dusk to dawn photo control included
- Electrical operating voltage 120VAC 50/60Hz
- cULus listed for Wet locations

### Optical

- 65W Fluorescent, mogul base bulb required
- Bulb rated lumens of 3600
- Available 6500K

### Warranty

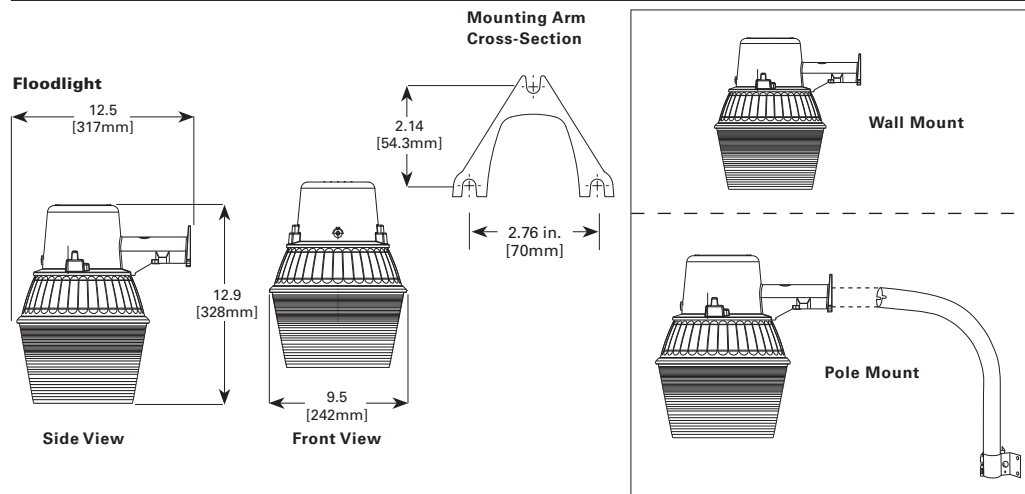
Two-year limited warranty.



## FLUORESCENT SAFETY AND SECURITY LIGHT

Security Floodlight

## DIMENSIONS



## TECHNICAL INFORMATION

Model	Description	Voltage	Power	*Lamp Lumens	Color Temperature (K)
AL6501FL	65W Fluorescent Area Light	120V	65	3600	6500K

\*Not fixture delivered lumens

**CERTIFICATION DATA**  
UL/CUL Wet Location Listed

**TECHNICAL DATA**  
120V only  
-15°C Temperature Rating  
External Supply Wiring 90 C Minimum  
Wall and Pole Mount

For complete product data, reference the Fluorescent Specification binder. Specifications & dimensions subject to change without notice. Consult your Eaton Representative for availability and ordering information.

