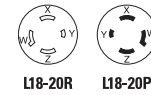


# Arrow Hart industrial grade L18-20 locking devices

|                 |              |
|-----------------|--------------|
| Project Name:   | Prepared By: |
| Project Number: | Date:        |
| Catalog Number: | Type:        |

## Description

4-Pole, 4-Wire  
20A, 3ØY/120/208V/AC  
NEMA L18-20



AHL1820P



AHL1820C



AHL1820R



AHL1820FO

### Design features for plug & connector

- All nylon construction
- EPDM gasket seals cord hole from dust and debris
- Back wire terminal clamps for easy secure wiring
- Individual wiring compartments with tapered channel for easy insertion of wires
- Clear cover over wiring compartments allows easy inspection of wiring terminations
- Rating printed on side of device
- Largest-in-class grommet size allows for entire cord size range

### Design features for receptacle

- Rugged glass filled nylon body
- Clearly marked rating, NEMA configuration and approval listings on receptacle face
- One piece brass contacts offer superior performance and minimum heat rise
- Back and side wiring terminal clamps for easy, secure wiring

### Design features for flanged inlet & outlet

- All nylon construction
- Mounting holes interchangeable with competitive units
- Back wire terminal clamps for easy, secure wiring
- Individual wiring compartments with tapered channel for easy insertion of wires

**Table 1. NEMA L18-20 Industrial Grade Locking Devices**

| Catalog No.                        | Description                   | Amps | Volts   | Color         |
|------------------------------------|-------------------------------|------|---------|---------------|
| <input type="checkbox"/> AHL1820P  | Ultra grip plug, 3-phase      | 20   | 120/208 | Black & white |
| <input type="checkbox"/> AHL1820C  | Ultra grip connector, 3-phase | 20   | 120/208 | Black & white |
| <input type="checkbox"/> AHL1820R  | Single receptacle, 3-phase    | 20   | 120/208 | Black         |
| <input type="checkbox"/> AHL1820FO | Flanged outlet, 3-phase       | 20   | 120/208 | Black & white |
| <input type="checkbox"/> AHL1820FI | Flanged inlet, 3-phase        | 20   | 120/208 | Black & white |

Compliances, specifications and availability are subject to change without notice.



Powering Business Worldwide

|                 |              |
|-----------------|--------------|
| Project Name:   | Prepared By: |
| Project Number: | Date:        |
| Catalog Number: | Type:        |

## Plug & Connector

4-Pole, 4-Wire  
20A, 3ØY/120/208V/AC  
NEMA L18-20

**Table 2. Specifications**

| Catalog No.                         | NEMA L18-20 Plug & Connector   |
|-------------------------------------|--|
| <b>NEMA Config</b>                  | NEMA L18-20  |
| <b>Wiring Type</b>                  | Back wire  |
| <b>Environmental Specifications</b> | <b>Flammability:</b> Meets UL94 requirements; V2 rated<br><b>Temperature Rating:</b> -40°C to 60°C (-40°F to 140°F)  |
| <b>Electrical Specifications</b>    | <b>Dielectric Voltage:</b> Twice the device rating + 1000V per UL498<br><b>Current Interrupting:</b> Yes, at full-rated current<br><b>Temperature Rise:</b> Max. 30°C (86°F) after 50 cycles of overload at 150% of rated current (DC) |
| <b>Mechanical Specifications</b>    | <b>Terminal Accommodation:</b> #16 - #8 AWG<br><b>Voltage Ratings:</b> Permanently marked on device  |

**Table 3. Materials**

| Catalog No.               | NEMA L18-20 Plug & Connector              |
|---------------------------|---|
| <b>NEMA Config</b>        | NEMA L18-20                               |
| <b>Outer Shell</b>        | Nylon                                     |
| <b>Interior Body</b>      | Nylon                                     |
| <b>Terminal Retainer</b>  | Polycarbonate                             |
| <b>Blades</b>             | Brass                                     |
| <b>Line Contacts</b>      | Bronze, tin plated                        |
| <b>Terminal Clamps</b>    | Steel, tin plated                         |
| <b>Terminal Screws</b>    | #10-32 brass, zinc plated (neutral screw) |
| <b>Ground Screw</b>       | #10-32 brass                              |
| <b>Assembly Screws</b>    | Steel, nickel plated                      |
| <b>Gasket/Dust Shield</b> | EPDM                                      |
| <b>Cord Clamp Screws</b>  | Steel, nickel plated                      |
| <b>Cord Clamp</b>         | Nylon                                     |

## Product Dimensions

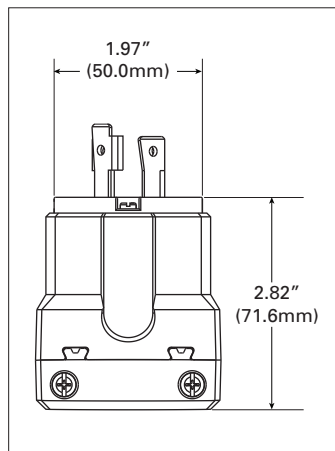


Figure 1. AHL1820P

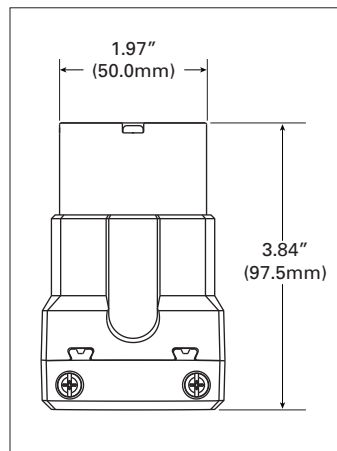


Figure 2. AHL1820C

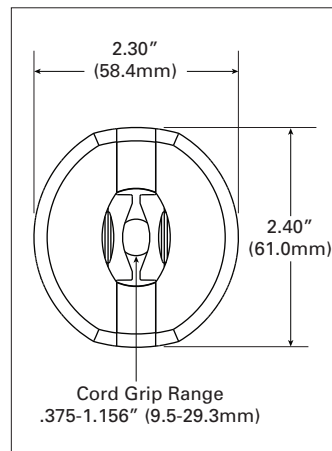


Figure 3. Base Angle

Compliances, specifications and availability are subject to change without notice.

|                 |              |
|-----------------|--------------|
| Project Name:   | Prepared By: |
| Project Number: | Date:        |
| Catalog Number: | Type:        |

## Single Receptacle

4-Pole, 4-Wire  
20A, 3ØY/120/208V/AC  
NEMA L18-20

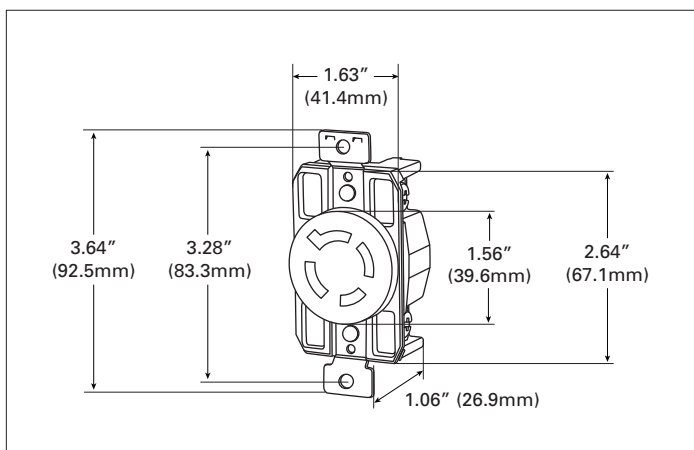
**Table 4. Specifications**

| Catalog No.                         | NEMA L18-20 Single Receptacle  |
|-------------------------------------|--|
| <b>NEMA Config</b>                  | NEMA L18-20  |
| <b>Wiring Type</b>                  | Back & side wire   |
| <b>Environmental Specifications</b> | <b>Flammability:</b> Meets UL94 requirements; V0 rated<br><b>Temperature Rating:</b> -40°C to 60°C (-40°F to 140°F)  |
| <b>Electrical Specifications</b>    | <b>Dielectric Voltage:</b> ≤300V: 2000V, 301-600V: 3000V per UL498<br><b>Current Interrupting:</b> Yes, at full-rated current<br><b>Temperature Rise:</b> Max. 30°C (86°F) after 250 cycles of overload @ 200% of rated current (DC) |
| <b>Mechanical Specifications</b>    | <b>Terminal Accommodation:</b> #14 - #8 AWG<br><b>Voltage Ratings:</b> Permanently marked on device  |

**Table 5. Materials**

| Catalog No.                   | NEMA L18-20 Single Receptacle               |
|-------------------------------|---|
| <b>NEMA Config</b>            | NEMA L18-20                                 |
| <b>Face</b>                   | Glass-filled nylon                          |
| <b>Base</b>                   | Glass-filled nylon                          |
| <b>Mounting Strap</b>         | 0.050" thick steel, zinc plated             |
| <b>Line Contacts</b>          | 0.041" thick brass                          |
| <b>Terminal Screws</b>        | #10-32 brass, nickel plated (neutral screw) |
| <b>Ground Screw</b>           | #10-32 brass (green)                        |
| <b>Terminal Clamps/Plates</b> | 0.041" thick brass                          |
| <b>Ground Contacts</b>        | 0.041" thick brass                          |
| <b>Back Plate</b>             | 0.041" thick brass, nickel plated           |
| <b>Mounting Screws</b>        | Steel, zinc plated                          |

## Product Dimensions



**Figure 4. AHL1820R**

Compliances, specifications and availability are subject to change without notice.

|                 |              |
|-----------------|--------------|
| Project Name:   | Prepared By: |
| Project Number: | Date:        |
| Catalog Number: | Type:        |

## Flanged Outlet & Inlet

4-Pole, 4-Wire  
20A, 3ØY/120/208V/AC  
NEMA L18-20

Table 6. Specifications

| Catalog No.                         | NEMA L18-20 Flanged Outlet  | NEMA L18-20 Flanged Inlet   |
|-------------------------------------|---|---|
| <b>NEMA Config</b>                  | NEMA L18-20   | NEMA L18-20   |
| <b>Wiring Type</b>                  | Back wire   | Back wire   |
| <b>Environmental Specifications</b> | <b>Flammability:</b> Meets UL94 requirements; V2 rated<br><b>Temperature Rating:</b> -40°C to 60°C (-40°F to 140°F)   | <b>Flammability:</b> Meets UL94 requirements; V2 rated<br><b>Temperature Rating:</b> -40°C to 60°C (-40°F to 140°F)   |
| <b>Electrical Specifications</b>    | <b>Dielectric Voltage:</b> ≤300V: 2000V, 301-600V: 3000V per UL498<br><b>Current Interrupting:</b> Yes, at full-rated current<br><b>Temperature Rise:</b> Max. 30°C (86°F) after 50 cycles of overload @ 150% of rated current (DC) | <b>Dielectric Voltage:</b> ≤300V: 2000V, 301-600V: 3000V per UL498<br><b>Current Interrupting:</b> Yes, at full-rated current<br><b>Temperature Rise:</b> Max. 30°C (86°F) after 50 cycles of overload @ 150% of rated current (DC) |
| <b>Mechanical Specifications</b>    | <b>Terminal Accommodation:</b> #14 - #8 AWG<br><b>Voltage Ratings:</b> Permanently marked on device   | <b>Terminal Accommodation:</b> #14 - #8 AWG<br><b>Voltage Ratings:</b> Permanently marked on device   |

Table 7. Materials

| Catalog No.              | NEMA L18-20 Flanged Outlet                  | NEMA L18-20 Flanged Inlet                   |
|--------------------------|---|---|
| <b>NEMA Config</b>       | NEMA L18-20                                 | NEMA L18-20                                 |
| <b>Outer Shell</b>       | Nylon                                       | Nylon                                       |
| <b>Interior Body</b>     | Nylon                                       | Nylon                                       |
| <b>Terminal Retainer</b> | Polycarbonate                               | Polycarbonate                               |
| <b>Blades</b>            | N/A   | 0.062" thick brass                          |
| <b>Line Contacts</b>     | 0.031" thick bronze                         | N/A   |
| <b>Terminal Clamps</b>   | Steel                                       | Steel                                       |
| <b>Terminal Screws</b>   | #10-32 brass, nickel plated (neutral screw) | #10-32 brass, nickel plated (neutral screw) |
| <b>Ground Screw</b>      | #10-32 brass (green)                        | #10-32 brass (green)                        |
| <b>Assembly Screws</b>   | Steel, nickel plated                        | Steel, nickel plated                        |
| <b>Mounting Screws</b>   | Steel, zinc plated                          | Steel, zinc plated                          |

## Product Dimensions

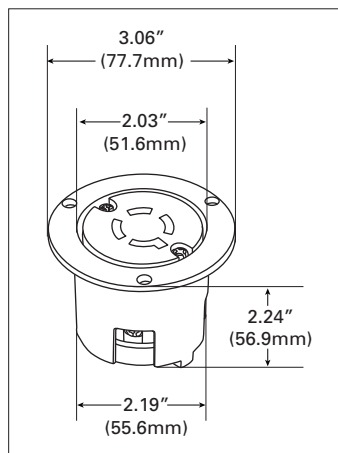


Figure 5. AHL1820FO

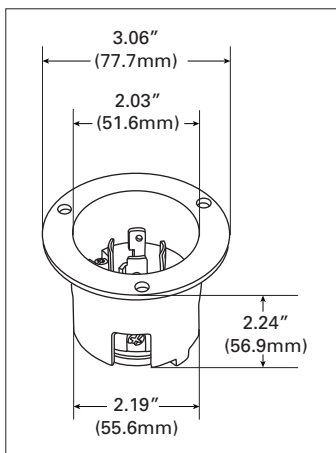


Figure 6. AHL1820FI

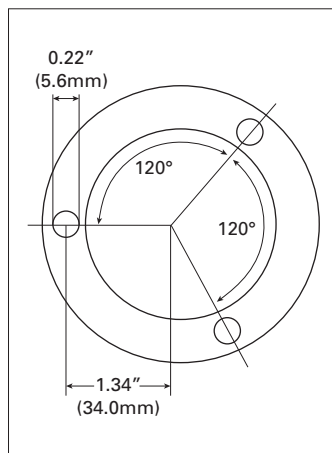








Figure 7. Top View


Compliances, specifications and availability are subject to change without notice.

|                 |              |
|-----------------|--------------|
| Project Name:   | Prepared By: |
| Project Number: | Date:        |
| Catalog Number: | Type:        |

## Certifications & Compliances

| Catalog No. |  |  |  |  |  |  |
|-------------|---|---|---|---|---|---|
| AHL1820P    | •   |   |   | •   | •   | •   |
| AHL1820C    | •   |   |   | •   | •   | •   |
| AHL1820R    |   | •   | •   | •   | •   | •   |
| AHL1820FO   |   | •   |   |   |   | •   |
| AHL1820FI   | •   |   |   | •   |   | •   |

**KEY:**  cULus  UL  Fed Spec  NOM  NAFTA  ROHS

 Parts are manufactured and designed in accordance with article 4 of the European Union's RoHS2 directive 2011/65/EU

**Compliances, specifications and availability are subject to change without notice.**

Electrical Sector  
203 Cooper Circle  
Peachtree City, GA 30269  
United States  
Eaton.com  
Arrowhart.com

Electrical Sector  
Canada Operations  
5925 McLaughlin Road  
Mississauga, Ontario, L5R 1B8  
Canada  
EatonCanada.ca  
Arrowhart.com

Electrical Sector  
Mexico Operations  
Carr. Tlalnepantla -  
Cauatitlan Km 178 s/n  
Col. Villa Jardin esq.  
Cerrada 8 de Mayo  
Cauatitlan, Mexico CP 54800  
Mexico  
Eaton.mx  
Arrowhart.com

**Eaton**  
1000 Eaton Boulevard  
Cleveland, OH 44122  
United States  
Eaton.com

© 2020 Eaton  
All Rights Reserved  
Printed in USA  
Publication No. TD630063EN  
March 2020

Eaton is a registered trademark.

All other trademarks are property  
of their respective owners.