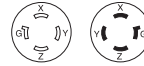


Industrial grade L16-20 locking devices

Project Name:	Prepared By:
Project Number:	Date:
Catalog Number:	Type:

Description

NEMA L16-20 20A, 3Ø, 480V/AC, 3P-4W



L16-20R L16-20P



AHL1620P



AHL1620C



AHL1620R



AHL1620FO

Design features for plugs & connectors

- All nylon construction
- EPDM gasket seals cord hole from dust and debris
- Back wire terminal clamps for easy secure wiring
- Individual wiring compartments with tapered channel for easy insertion of wires
- Clear cover over wiring compartments allows easy inspection of wiring terminations
- Rating printed on side of device
- Largest-in-class grommet size allows for entire cord size range

Design features for receptacles

- Rugged glass filled nylon body
- Clearly marked rating, NEMA configuration and approval listings on receptacle face
- One piece brass contacts offer superior performance and minimal heat rise
- Back and side wiring terminal clamps for easy, secure wiring

Design features for flanged inlet & outlet

- All nylon construction
- Mounting holes interchangeable with competitive units
- Back wire terminal clamps for easy, secure wiring
- Individual wiring compartments with tapered channel for easy insertion of wires

Table 1. NEMA L16-20 Industrial Grade Locking Devices

Catalog No.	Description	Amps	Volts	Color
□ AHL1620P	Ultra grip plug, 3-phase	20	480	Black & white
□ AHL1620PBK	Ultra grip plug, 3-phase	20	480	Black
□ AHL1620C	Ultra grip connector, 3-phase	20	480	Black & white
□ AHL1620CBK	Ultra grip connector, 3-phase	20	480	Black
□ AHL1620R	Single receptacle, 3-phase	20	480	Black
□ AHIGL1620R	Single receptacle, isolated ground, 3-phase	20	480	Orange
□ AHL1620FO	Flanged outlet, 3-phase	20	480	Black & white
□ AHL1620FI	Flanged inlet, 3-phase	20	480	Black & white

EATON

Powering Business Worldwide

Compliances, specifications and availability are subject to change without notice.

Project Name:	Prepared By:
Project Number:	Date:
Catalog Number:	Type:

Plugs & Connectors

NEMA L16-20 20A, 3Ø, 480V/AC, 3P-4W

Table 2. Specifications

Catalog No.	NEMA L16-20 Plugs & Connectors
NEMA Config	NEMA L16-20
Wiring Type	Back wire
Environmental Specifications	Flammability: Meets UL94 requirements; V2 rated Temperature Rating: -40°C to 60°C (-40°F to 140°F)
Electrical Specifications	Dielectric Voltage: Twice the device rating + 1000V per UL498 Current Interrupting: Yes, at full-rated current Temperature Rise: Max. 30°C (86°F) after 50 cycles of overload at 150% of rated current (DC)
Mechanical Specifications	Terminal Accommodation: #14 - #8 AWG Voltage Ratings: Permanently marked on device

Table 3. Materials

Catalog No.	NEMA L16-20 Plugs & Connectors
NEMA Config	NEMA L16-20
Outer Shell	Nylon
Interior Body	Nylon
Terminal Retainer	Polycarbonate
Blades	Brass
Line Contacts	Bronze, tin plated
Terminal Clamps	Steel, tin plated
Terminal Screws	#10-32 brass, zinc plated (neutral screw)
Ground Screw	#10-32 brass
Assembly Screws	Steel, nickel plated
Gasket/Dust Shield	EPDM
Cord Clamp Screws	Steel, nickel plated
Cord Clamp	Nylon

Product Dimensions

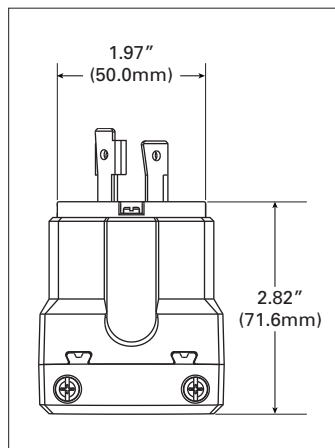


Figure 1. AHL1620P

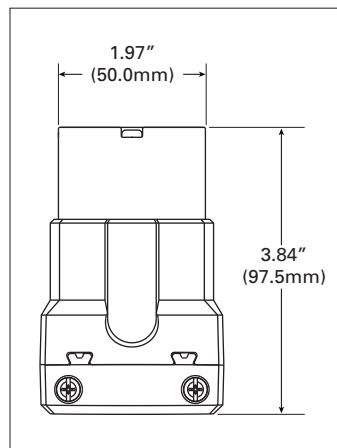


Figure 2. AHL1620C

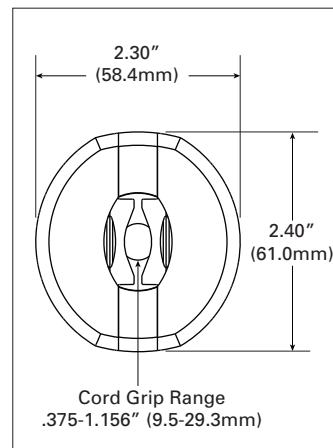


Figure 3. Base Angle

Compliances, specifications and availability are subject to change without notice.

Project Name:	Prepared By:
Project Number:	Date:
Catalog Number:	Type:

Single Receptacles

NEMA L16-20 20A, 3Ø, 480V/AC, 3P-4W

Table 4. Specifications

Catalog No.	NEMA L16-20 Single Receptacles	NEMA L16-20 Isolated Ground Single Receptacles
NEMA Config	NEMA L16-20	NEMA L16-20
Wiring Type	Back & side wire	Back & side wire
Environmental Specifications	Flammability: Meets UL94 requirements; V0 rated Temperature Rating: -40°C to 60°C (-40°F to 140°F)	Flammability: Meets UL94 requirements; V0 rated Temperature Rating: -40°C to 60°C (-40°F to 140°F)
Electrical Specifications	Dielectric Voltage: ≤300V: 2000V, 301-600V: 3000V per UL498 Current Interrupting: Yes, at full-rated current Temperature Rise: Max. 30°C (86°F) after 250 cycles of overload @ 200% of rated current (DC)	Dielectric Voltage: ≤300V: 2000V, 301-600V: 3000V per UL498 Current Interrupting: Yes, at full-rated current Temperature Rise: Max. 30°C (86°F) after 50 cycles of overload @ 150% of rated current (DC)
Mechanical Specifications	Terminal Accommodation: #14 - #8 AWG Voltage Ratings: Permanently marked on device	Terminal Accommodation: #14 - #8 AWG Voltage Ratings: Permanently marked on device

Table 5. Materials

Catalog No.	NEMA L16-20 Single Receptacles	NEMA L16-20 Isolated Ground Single Receptacles
NEMA Config	NEMA L16-20	NEMA L16-20
Face	Glass-filled nylon	Glass-filled nylon
Base	Glass-filled nylon	Glass-filled nylon
Mounting Strap	0.050" thick steel, zinc plated	0.050" thick steel, zinc plated
Line Contacts	0.041" thick brass	0.041" thick brass
Terminal Screws	#10-32 brass, nickel plated (neutral screw)	#10-32 brass, nickel plated (neutral screw)
Ground Screw	#10-32 brass (green)	#10-32 brass (green)
Terminal Clamps/Plates	0.041" thick brass	0.041" thick brass
Ground Contacts	0.041" thick brass	0.041" thick brass
Back Plate	0.041" thick brass, nickel plated	0.041" thick brass, nickel plated
Mounting Screws	Steel, zinc plated	Steel, zinc plated

Product Dimensions

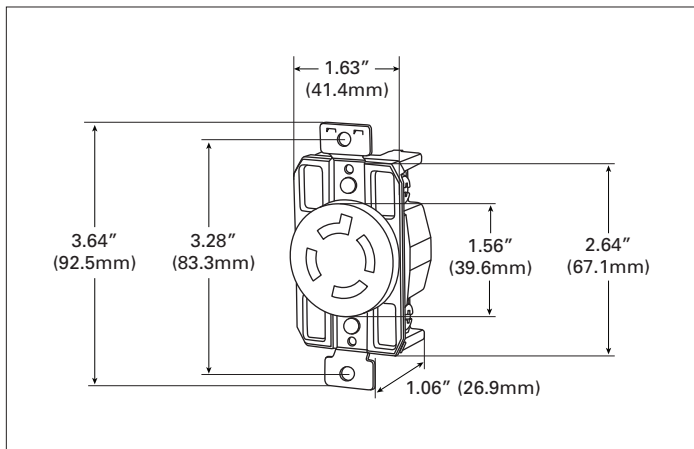


Figure 4. AHL1620R

Compliances, specifications and availability are subject to change without notice.

Project Name:	Prepared By:
Project Number:	Date:
Catalog Number:	Type:

Flanged Outlet & Inlet

NEMA L16-20 20A, 3Ø, 480V/AC, 3P-4W

Table 6. Specifications

Catalog No.	NEMA L16-20 Flanged Outlet	NEMA L16-20 Flanged Inlet
NEMA Config	NEMA L16-20	NEMA L16-20
Wiring Type	Back wire	Back wire
Environmental Specifications	Flammability: Meets UL94 requirements; V2 rated Temperature Rating: -40°C to 60°C (-40°F to 140°F)	Flammability: Meets UL94 requirements; V2 rated Temperature Rating: -40°C to 60°C (-40°F to 140°F)
Electrical Specifications	Dielectric Voltage: ≤300V: 2000V, 301-600V: 3000V per UL498 Current Interrupting: Yes, at full-rated current Temperature Rise: Max. 30°C (86°F) after 50 cycles of overload @ 150% of rated current (DC)	Dielectric Voltage: ≤300V: 2000V, 301-600V: 3000V per UL498 Current Interrupting: Yes, at full-rated current Temperature Rise: Max. 30°C (86°F) @ maximum rated current (DC)
Mechanical Specifications	Terminal Accommodation: #14 - #8 AWG Voltage Ratings: Permanently marked on device	Terminal Accommodation: #14 - #8 AWG Voltage Ratings: Permanently marked on device

Table 7. Materials

Catalog No.	NEMA L16-20 Flanged Outlet	NEMA L16-20 Flanged Inlet
NEMA Config	NEMA L16-20	NEMA L16-20
Outer Shell	Nylon	Nylon
Interior Body	Nylon	Nylon
Terminal Retainer	Polycarbonate	Polycarbonate
Blades	N/A	N/A
Line Contacts	0.031" thick bronze	0.062" thick bronze, tin plated
Terminal Clamps	Steel, tin plated	Steel, tin plated
Terminal Screws	#10-32 brass, nickel plated (neutral screw)	#10-32 brass, nickel plated (neutral screw)
Ground Screw	#10-32 brass (green)	#10-32 brass (green)
Assembly Screws	Steel, nickel plated	Steel, nickel plated
Mounting Screws	Steel, zinc plated	Steel, zinc plated

Product Dimensions

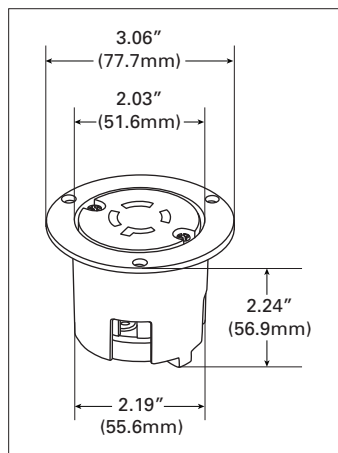


Figure 5. AHL1620FO

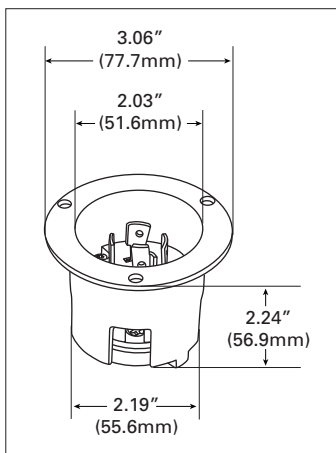


Figure 6. AHL1620FI

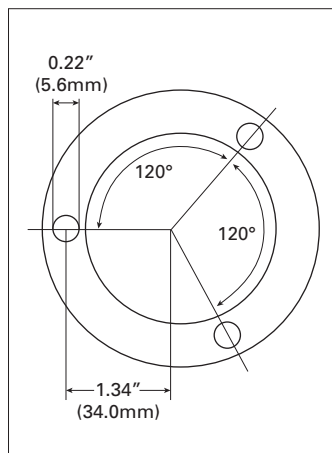








Figure 7. Top View


Compliances, specifications and availability are subject to change without notice.

Project Name:	Prepared By:
Project Number:	Date:
Catalog Number:	Type:

Certifications & Compliances

Catalog No.						
AHL1620P	•					• •
AHL1620PBK	•					• •
AHL1620C	•					• •
AHL1620CBK	•					• •
AHL1620R		•	•	•		• •
AHIGL1620R		•	•			• •
AHL1620FO		•	•			• •
AHL1620FI	•					• •

KEY:  cULus  UL  CSA  Fed Spec  NAFTA  ROHS

 Parts are manufactured and designed in accordance with article 4 of the European Union's RoHS2 directive 2011/65/EU

Compliances, specifications and availability are subject to change without notice.

Electrical Sector
203 Cooper Circle
Peachtree City, GA 30269
United States
Eaton.com
Arrowhart.com

Electrical Sector
Canada Operations
5925 McLaughlin Road
Mississauga, Ontario, L5R 1B8
Canada
EatonCanada.ca
Arrowhart.com

Electrical Sector
Mexico Operations
Carr. Tlalnepantla -
Cuautitlan Km 178 s/n
Col. Villa Jardin esq.
Cerrada 8 de Mayo
Cuautitlan, Mexico CP 54800
Mexico
Eaton.mx
Arrowhart.com

Eaton
1000 Eaton Boulevard
Cleveland, OH 44122
United States
Eaton.com

© 2014 Eaton
All Rights Reserved
Printed in USA
Publication No. 125-0083-13
February 2014

Eaton is a registered trademark.

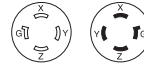
All other trademarks are property
of their respective owners.

Industrial grade L16-20 locking devices

Project Name:	Prepared By:
Project Number:	Date:
Catalog Number:	Type:

Description

NEMA L16-20 20A, 3Ø, 480V/AC, 3P-4W



L16-20R L16-20P



AHL1620P



AHL1620C



AHL1620R



AHL1620FO

Design features for plugs & connectors

- All nylon construction
- EPDM gasket seals cord hole from dust and debris
- Back wire terminal clamps for easy secure wiring
- Individual wiring compartments with tapered channel for easy insertion of wires
- Clear cover over wiring compartments allows easy inspection of wiring terminations
- Rating printed on side of device
- Largest-in-class grommet size allows for entire cord size range

Design features for receptacles

- Rugged glass filled nylon body
- Clearly marked rating, NEMA configuration and approval listings on receptacle face
- One piece brass contacts offer superior performance and minimal heat rise
- Back and side wiring terminal clamps for easy, secure wiring

Design features for flanged inlet & outlet

- All nylon construction
- Mounting holes interchangeable with competitive units
- Back wire terminal clamps for easy, secure wiring
- Individual wiring compartments with tapered channel for easy insertion of wires

Table 1. NEMA L16-20 Industrial Grade Locking Devices

Catalog No.	Description	Amps	Volts	Color
□ AHL1620P	Ultra grip plug, 3-phase	20	480	Black & white
□ AHL1620PBK	Ultra grip plug, 3-phase	20	480	Black
□ AHL1620C	Ultra grip connector, 3-phase	20	480	Black & white
□ AHL1620CBK	Ultra grip connector, 3-phase	20	480	Black
□ AHL1620R	Single receptacle, 3-phase	20	480	Black
□ AHIGL1620R	Single receptacle, isolated ground, 3-phase	20	480	Orange
□ AHL1620FO	Flanged outlet, 3-phase	20	480	Black & white
□ AHL1620FI	Flanged inlet, 3-phase	20	480	Black & white

EATON

Powering Business Worldwide

Compliances, specifications and availability are subject to change without notice.

Project Name:	Prepared By:
Project Number:	Date:
Catalog Number:	Type:

Plugs & Connectors

NEMA L16-20 20A, 3Ø, 480V/AC, 3P-4W

Table 2. Specifications

Catalog No.	NEMA L16-20 Plugs & Connectors
NEMA Config	NEMA L16-20
Wiring Type	Back wire
Environmental Specifications	Flammability: Meets UL94 requirements; V2 rated Temperature Rating: -40°C to 60°C (-40°F to 140°F)
Electrical Specifications	Dielectric Voltage: Twice the device rating + 1000V per UL498 Current Interrupting: Yes, at full-rated current Temperature Rise: Max. 30°C (86°F) after 50 cycles of overload at 150% of rated current (DC)
Mechanical Specifications	Terminal Accommodation: #14 - #8 AWG Voltage Ratings: Permanently marked on device

Table 3. Materials

Catalog No.	NEMA L16-20 Plugs & Connectors
NEMA Config	NEMA L16-20
Outer Shell	Nylon
Interior Body	Nylon
Terminal Retainer	Polycarbonate
Blades	Brass
Line Contacts	Bronze, tin plated
Terminal Clamps	Steel, tin plated
Terminal Screws	#10-32 brass, zinc plated (neutral screw)
Ground Screw	#10-32 brass
Assembly Screws	Steel, nickel plated
Gasket/Dust Shield	EPDM
Cord Clamp Screws	Steel, nickel plated
Cord Clamp	Nylon

Product Dimensions

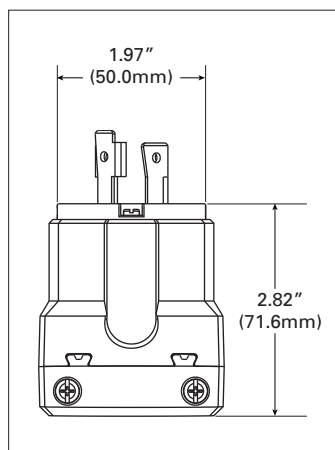


Figure 1. AHL1620P

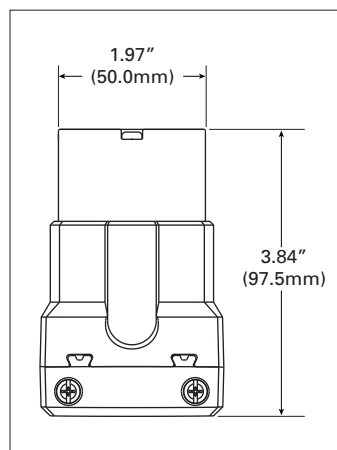


Figure 2. AHL1620C

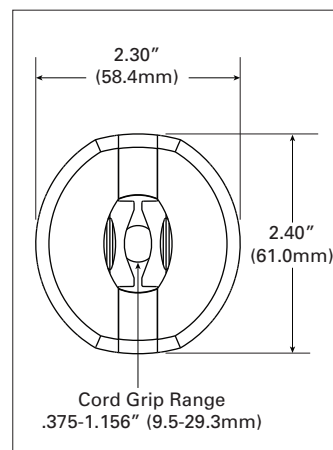


Figure 3. Base Angle

Compliances, specifications and availability are subject to change without notice.

Project Name:	Prepared By:
Project Number:	Date:
Catalog Number:	Type:

Single Receptacles

NEMA L16-20 20A, 3Ø, 480V/AC, 3P-4W

Table 4. Specifications

Catalog No.	NEMA L16-20 Single Receptacles	NEMA L16-20 Isolated Ground Single Receptacles
NEMA Config	NEMA L16-20	NEMA L16-20
Wiring Type	Back & side wire	Back & side wire
Environmental Specifications	Flammability: Meets UL94 requirements; V0 rated Temperature Rating: -40°C to 60°C (-40°F to 140°F)	Flammability: Meets UL94 requirements; V0 rated Temperature Rating: -40°C to 60°C (-40°F to 140°F)
Electrical Specifications	Dielectric Voltage: ≤300V: 2000V, 301-600V: 3000V per UL498 Current Interrupting: Yes, at full-rated current Temperature Rise: Max. 30°C (86°F) after 250 cycles of overload @ 200% of rated current (DC)	Dielectric Voltage: ≤300V: 2000V, 301-600V: 3000V per UL498 Current Interrupting: Yes, at full-rated current Temperature Rise: Max. 30°C (86°F) after 50 cycles of overload @ 150% of rated current (DC)
Mechanical Specifications	Terminal Accommodation: #14 - #8 AWG Voltage Ratings: Permanently marked on device	Terminal Accommodation: #14 - #8 AWG Voltage Ratings: Permanently marked on device

Table 5. Materials

Catalog No.	NEMA L16-20 Single Receptacles	NEMA L16-20 Isolated Ground Single Receptacles
NEMA Config	NEMA L16-20	NEMA L16-20
Face	Glass-filled nylon	Glass-filled nylon
Base	Glass-filled nylon	Glass-filled nylon
Mounting Strap	0.050" thick steel, zinc plated	0.050" thick steel, zinc plated
Line Contacts	0.041" thick brass	0.041" thick brass
Terminal Screws	#10-32 brass, nickel plated (neutral screw)	#10-32 brass, nickel plated (neutral screw)
Ground Screw	#10-32 brass (green)	#10-32 brass (green)
Terminal Clamps/Plates	0.041" thick brass	0.041" thick brass
Ground Contacts	0.041" thick brass	0.041" thick brass
Back Plate	0.041" thick brass, nickel plated	0.041" thick brass, nickel plated
Mounting Screws	Steel, zinc plated	Steel, zinc plated

Product Dimensions

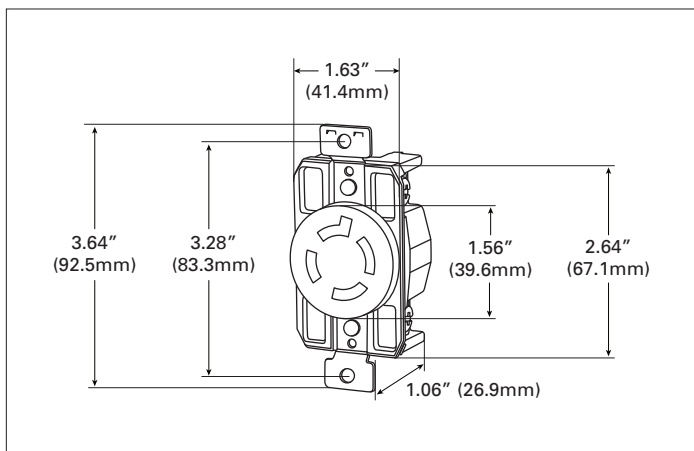


Figure 4. AHL1620R

Compliances, specifications and availability are subject to change without notice.

Project Name:	Prepared By:
Project Number:	Date:
Catalog Number:	Type:

Flanged Outlet & Inlet

NEMA L16-20 20A, 3Ø, 480V/AC, 3P-4W

Table 6. Specifications

Catalog No.	NEMA L16-20 Flanged Outlet	NEMA L16-20 Flanged Inlet
NEMA Config	NEMA L16-20	NEMA L16-20
Wiring Type	Back wire	Back wire
Environmental Specifications	Flammability: Meets UL94 requirements; V2 rated Temperature Rating: -40°C to 60°C (-40°F to 140°F)	Flammability: Meets UL94 requirements; V2 rated Temperature Rating: -40°C to 60°C (-40°F to 140°F)
Electrical Specifications	Dielectric Voltage: ≤300V: 2000V, 301-600V: 3000V per UL498 Current Interrupting: Yes, at full-rated current Temperature Rise: Max. 30°C (86°F) after 50 cycles of overload @ 150% of rated current (DC)	Dielectric Voltage: ≤300V: 2000V, 301-600V: 3000V per UL498 Current Interrupting: Yes, at full-rated current Temperature Rise: Max. 30°C (86°F) @ maximum rated current (DC)
Mechanical Specifications	Terminal Accommodation: #14 - #8 AWG Voltage Ratings: Permanently marked on device	Terminal Accommodation: #14 - #8 AWG Voltage Ratings: Permanently marked on device

Table 7. Materials

Catalog No.	NEMA L16-20 Flanged Outlet	NEMA L16-20 Flanged Inlet
NEMA Config	NEMA L16-20	NEMA L16-20
Outer Shell	Nylon	Nylon
Interior Body	Nylon	Nylon
Terminal Retainer	Polycarbonate	Polycarbonate
Blades	N/A	N/A
Line Contacts	0.031" thick bronze	0.062" thick bronze, tin plated
Terminal Clamps	Steel, tin plated	Steel, tin plated
Terminal Screws	#10-32 brass, nickel plated (neutral screw)	#10-32 brass, nickel plated (neutral screw)
Ground Screw	#10-32 brass (green)	#10-32 brass (green)
Assembly Screws	Steel, nickel plated	Steel, nickel plated
Mounting Screws	Steel, zinc plated	Steel, zinc plated

Product Dimensions

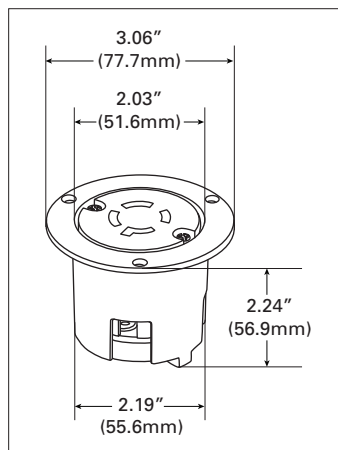


Figure 5. AHL1620FO

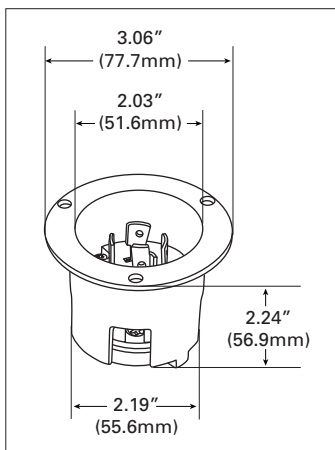


Figure 6. AHL1620FI

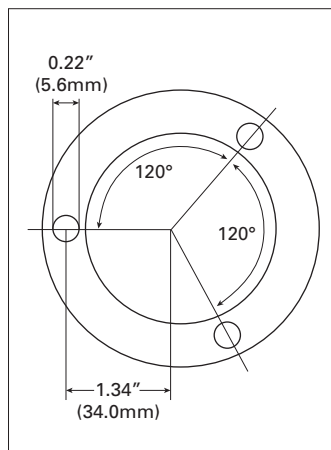








Figure 7. Top View


Compliances, specifications and availability are subject to change without notice.

Project Name:	Prepared By:
Project Number:	Date:
Catalog Number:	Type:

Certifications & Compliances

Catalog No.						
AHL1620P	•					• •
AHL1620PBK	•					• •
AHL1620C	•					• •
AHL1620CBK	•					• •
AHL1620R		•	•	•	•	• •
AHIGL1620R		•	•			• •
AHL1620FO		•	•			• •
AHL1620FI	•					• •

KEY:  cULus  UL  CSA  Fed Spec  NAFTA  ROHS

 Parts are manufactured and designed in accordance with article 4 of the European Union's RoHS2 directive 2011/65/EU

Compliances, specifications and availability are subject to change without notice.

Electrical Sector
203 Cooper Circle
Peachtree City, GA 30269
United States
Eaton.com
Arrowhart.com

Electrical Sector
Canada Operations
5925 McLaughlin Road
Mississauga, Ontario, L5R 1B8
Canada
EatonCanada.ca
Arrowhart.com

Electrical Sector
Mexico Operations
Carr. Tlalnepantla -
Cuautitlan Km 178 s/n
Col. Villa Jardin esq.
Cerrada 8 de Mayo
Cuautitlan, Mexico CP 54800
Mexico
Eaton.mx
Arrowhart.com

Eaton
1000 Eaton Boulevard
Cleveland, OH 44122
United States
Eaton.com

© 2014 Eaton
All Rights Reserved
Printed in USA
Publication No. 125-0083-13
February 2014

Eaton is a registered trademark.

All other trademarks are property
of their respective owners.