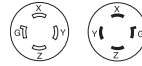


# Industrial grade L15-20 locking devices

Project Name:	Prepared By:
Project Number:	Date:
Catalog Number:	Type:

## Description

NEMA L15-20 20A, 3Ø, 250V/AC, 3P-4W



L15-20R L15-20P



AHL1520P



AHL1520C



AHL1520R



AHL1520FO

### Design features for plugs & connectors

- All nylon construction
- EPDM gasket seals cord hole from dust and debris
- Back wire terminal clamps for easy secure wiring
- Individual wiring compartments with tapered channel for easy insertion of wires
- Clear cover over wiring compartments allows easy inspection of wiring terminations
- Rating printed on side of device
- Largest-in-class grommet size allows for entire cord size range

### Design features for receptacles

- Rugged glass filled nylon body
- Clearly marked rating, NEMA configuration and approval listings on receptacle face
- One piece brass contacts offer superior performance and minimal heat rise
- Back and side wiring terminal clamps for easy, secure wiring

### Design features for flanged inlet & outlet

- All nylon construction
- Mounting holes interchangeable with competitive units
- Back wire terminal clamps for easy, secure wiring
- Individual wiring compartments with tapered channel for easy insertion of wires

**Table 1. NEMA L15-20 Industrial Grade Locking Devices**

Catalog No.	Description	Amps	Volts	Color
<input type="checkbox"/> AHL1520P	Ultra grip plug, 3-phase	20	250	Black & white
<input type="checkbox"/> AHL1520PBK	Ultra grip plug, 3-phase	20	250	Black
<input type="checkbox"/> AHL1520C	Ultra grip connector, 3-phase	20	250	Black & white
<input type="checkbox"/> AHL1520CBK	Ultra grip connector, 3-phase	20	250	Black
<input type="checkbox"/> AHL1520R	Single receptacle, 3-phase	20	250	Black
<input type="checkbox"/> AHIGL1520R	Single receptacle, isolated ground, 3-phase	20	250	Orange
<input type="checkbox"/> AHL1520FO	Flanged outlet, 3-phase	20	250	Black & white
<input type="checkbox"/> AHL1520FI	Flanged inlet, 3-phase	20	250	Black & white



Powering Business Worldwide

Compliances, specifications and availability are subject to change without notice.

Project Name:	Prepared By:
Project Number:	Date:
Catalog Number:	Type:

## Plugs & Connectors

NEMA L15-20 20A, 3Ø, 250V/AC, 3P-4W

**Table 2. Specifications**

Catalog No.	NEMA L15-20 Plugs & Connectors
<b>NEMA Config</b>	NEMA L15-20
<b>Wiring Type</b>	Back wire
<b>Environmental Specifications</b>	<b>Flammability:</b> Meets UL94 requirements; V2 rated <b>Temperature Rating:</b> -40°C to 60°C (-40°F to 140°F)
<b>Electrical Specifications</b>	<b>Dielectric Voltage:</b> Twice the device rating + 1000V per UL498 <b>Current Interrupting:</b> Yes, at full-rated current <b>Temperature Rise:</b> Max. 30°C (86°F) after 50 cycles of overload at 150% of rated current (DC)
<b>Mechanical Specifications</b>	<b>Terminal Accommodation:</b> #14 - #8 AWG <b>Voltage Ratings:</b> Permanently marked on device

**Table 3. Materials**

Catalog No.	NEMA L15-20 Plugs & Connectors
<b>NEMA Config</b>	NEMA L15-20
<b>Outer Shell</b>	Nylon
<b>Interior Body</b>	Nylon
<b>Terminal Retainer</b>	Polycarbonate
<b>Blades</b>	Brass
<b>Line Contacts</b>	Bronze, tin plated
<b>Terminal Clamps</b>	Steel, tin plated
<b>Terminal Screws</b>	#10-32 brass, zinc plated (neutral screw)
<b>Ground Screw</b>	#10-32 brass
<b>Assembly Screws</b>	Steel, nickel plated
<b>Gasket/Dust Shield</b>	EPDM
<b>Cord Clamp Screws</b>	Steel, nickel plated
<b>Cord Clamp</b>	Nylon

## Product Dimensions

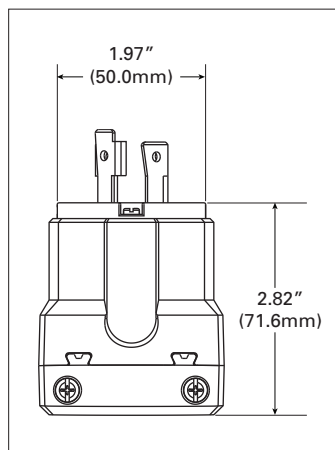


Figure 1. AHL1520P

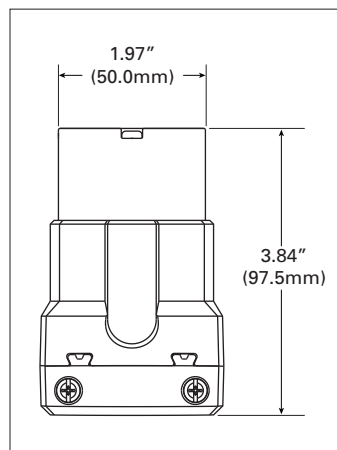


Figure 2. AHL1520C

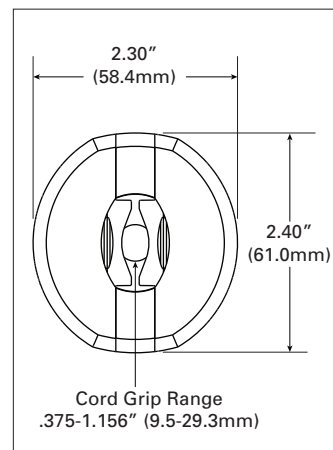


Figure 3. Base Angle

Compliances, specifications and availability are subject to change without notice.

Project Name:	Prepared By:
Project Number:	Date:
Catalog Number:	Type:

## Single Receptacles

NEMA L15-20 20A, 3Ø, 250V/AC, 3P-4W

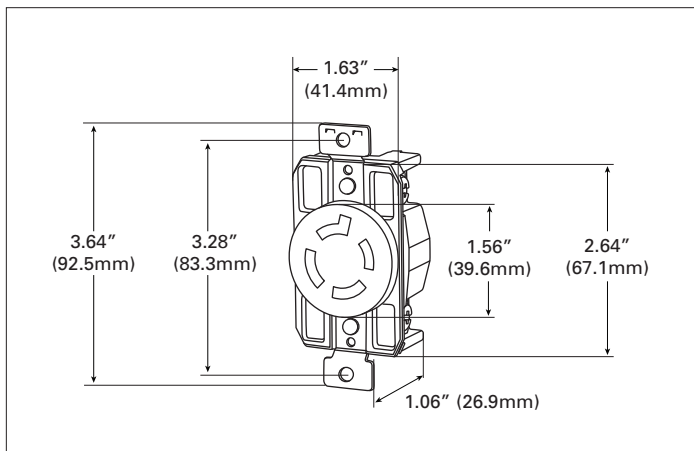
**Table 4. Specifications**

Catalog No.	NEMA L15-20 Single Receptacles	NEMA L15-20 Isolated Ground Single Receptacles
<b>NEMA Config</b>	NEMA L15-20	NEMA L15-20
<b>Wiring Type</b>	Back & side wire	Back & side wire
<b>Environmental Specifications</b>	<b>Flammability:</b> Meets UL94 requirements; V0 rated <b>Temperature Rating:</b> -40°C to 60°C (-40°F to 140°F)	<b>Flammability:</b> Meets UL94 requirements; V0 rated <b>Temperature Rating:</b> -40°C to 60°C (-40°F to 158°F)
<b>Electrical Specifications</b>	<b>Dielectric Voltage:</b> ≤300V: 2000V, 301-600V: 3000V per UL498 <b>Current Interrupting:</b> Yes, at full-rated current <b>Temperature Rise:</b> Max. 30°C (86°F) after 250 cycles of overload @ 200% of rated current (DC)	<b>Dielectric Voltage:</b> ≤300V: 2000V, 301-600V: 3000V per UL498 <b>Current Interrupting:</b> Yes, at full-rated current <b>Temperature Rise:</b> Max. 30°C (86°F) after 50 cycles of overload @ 150% of rated current (DC)
<b>Mechanical Specifications</b>	<b>Terminal Accommodation:</b> #14 - #8 AWG <b>Voltage Ratings:</b> Permanently marked on device	<b>Terminal Accommodation:</b> #14 - #8 AWG <b>Voltage Ratings:</b> Permanently marked on device

**Table 5. Materials**

Catalog No.	NEMA L15-20 Single Receptacles	NEMA L15-20 Isolated Ground Single Receptacles
<b>NEMA Config</b>	NEMA L15-20	NEMA L15-20
<b>Face</b>	Glass-filled nylon	Glass-filled nylon
<b>Base</b>	Glass-filled nylon	Glass-filled nylon
<b>Mounting Strap</b>	0.050" thick steel, zinc plated	0.050" thick steel, zinc plated
<b>Line Contacts</b>	0.041" thick brass	0.041" thick brass
<b>Terminal Screws</b>	#10-32 brass, nickel plated (neutral screw)	#10-32 brass, nickel plated (neutral screw)
<b>Ground Screw</b>	#10-32 brass (green)	#10-32 brass (green)
<b>Terminal Clamps/Plates</b>	0.041" thick brass	0.041" thick brass
<b>Ground Contacts</b>	0.041" thick brass	0.041" thick brass
<b>Back Plate</b>	0.041" thick brass, nickel plated	0.041" thick brass, nickel plated
<b>Mounting Screws</b>	Steel, zinc plated	Steel, zinc plated

## Product Dimensions



**Figure 4. AHL1520R**

Compliances, specifications and availability are subject to change without notice.

Project Name:	Prepared By:
Project Number:	Date:
Catalog Number:	Type:

## Flanged Outlet & Inlet

NEMA L15-20 20A, 3Ø, 250V/AC, 3P-4W

Table 6. Specifications

Catalog No.	NEMA L15-20 Flanged Outlet	NEMA L15-20 Flanged Inlet
<b>NEMA Config</b>	NEMA L15-20	NEMA L15-20
<b>Wiring Type</b>	Back wire	Back wire
<b>Environmental Specifications</b>	<b>Flammability:</b> Meets UL94 requirements; V2 rated <b>Temperature Rating:</b> -40°C to 60°C (-40°F to 140°F)	<b>Flammability:</b> Meets UL94 requirements; V2 rated <b>Temperature Rating:</b> -40°C to 60°C (-40°F to 140°F)
<b>Electrical Specifications</b>	<b>Dielectric Voltage:</b> ≤300V: 2000V, 301-600V: 3000V per UL498 <b>Current Interrupting:</b> Yes, at full-rated current <b>Temperature Rise:</b> Max. 30°C (86°F) after 50 cycles of overload @ 150% of rated current (DC)	<b>Dielectric Voltage:</b> ≤300V: 2000V, 301-600V: 3000V per UL498 <b>Current Interrupting:</b> Yes, at full-rated current <b>Temperature Rise:</b> Max. 30°C (86°F) @ maximum rated current (DC)
<b>Mechanical Specifications</b>	<b>Terminal Accommodation:</b> #14 - #8 AWG <b>Voltage Ratings:</b> Permanently marked on device	<b>Terminal Accommodation:</b> #14 - #8 AWG <b>Voltage Ratings:</b> Permanently marked on device

Table 7. Materials

Catalog No.	NEMA L15-20 Flanged Outlet	NEMA L15-20 Flanged Inlet
<b>NEMA Config</b>	NEMA L15-20	NEMA L15-20
<b>Outer Shell</b>	Nylon	Nylon
<b>Interior Body</b>	Nylon	Nylon
<b>Terminal Retainer</b>	Polycarbonate	Polycarbonate
<b>Blades</b>	N/A	0.062" thick brass
<b>Line Contacts</b>	0.031" thick bronze, tin plated	N/A
<b>Terminal Clamps</b>	Steel, tin plated	Steel, tin plated
<b>Terminal Screws</b>	#10-32 brass, nickel plated (neutral screw)	#10-32 brass, nickel plated (neutral screw)
<b>Ground Screw</b>	#10-32 brass (green)	#10-32 brass (green)
<b>Assembly Screws</b>	Steel, nickel plated	Steel, nickel plated
<b>Mounting Screws</b>	Steel, zinc plated	Steel, zinc plated

## Product Dimensions

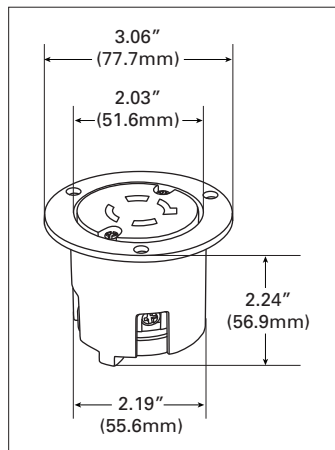


Figure 5. AHL1520FO

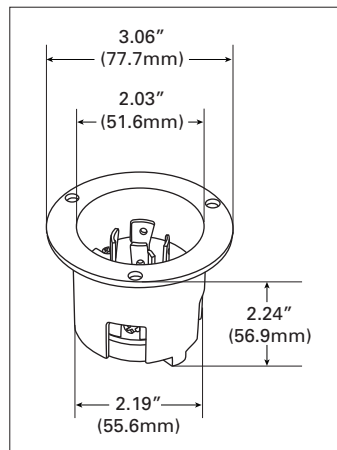


Figure 6. AHL1520FI

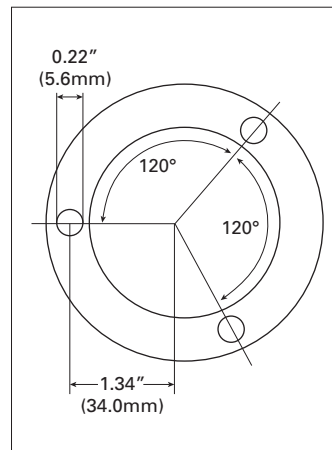









Figure 7. Top View


Compliances, specifications and availability are subject to change without notice.

Project Name:	Prepared By:
Project Number:	Date:
Catalog Number:	Type:

## Certifications & Compliances

Catalog No.							
AHL1520P	•						• •
AHL1520PBK	•						• •
AHL1520C	•						• •
AHL1520CBK	•						• •
AHL1520R		•	•	•			• •
AHIGL1520R		•	•		•		• •
AHL1520FO		•	•				• •
AHL1520FI	•						• •

**KEY:**  cULus  UL  CSA  Fed Spec  NOM  NAFTA  ROHS

 Parts are manufactured and designed in accordance with article 4 of the European Union's RoHS2 directive 2011/65/EU

**Compliances, specifications and availability are subject to change without notice.**

Electrical Sector  
203 Cooper Circle  
Peachtree City, GA 30269  
United States  
Eaton.com  
Arrowhart.com

Electrical Sector  
Canada Operations  
5925 McLaughlin Road  
Mississauga, Ontario, L5R 1B8  
Canada  
EatonCanada.ca  
Arrowhart.com

Electrical Sector  
Mexico Operations  
Carr. Tlalnepantla -  
Cautitlan Km 17.8 s/n  
Col. Villa Jardin esq.  
Cerrada 8 de Mayo  
Cautitlan, Mexico CP 54800  
Mexico  
Eaton.mx  
Arrowhart.com

**Eaton**  
1000 Eaton Boulevard  
Cleveland, OH 44122  
United States  
Eaton.com

© 2014 Eaton  
All Rights Reserved  
Printed in USA  
Publication No. 125-0078-13  
February 2014

Eaton is a registered trademark.

All other trademarks are property  
of their respective owners.