

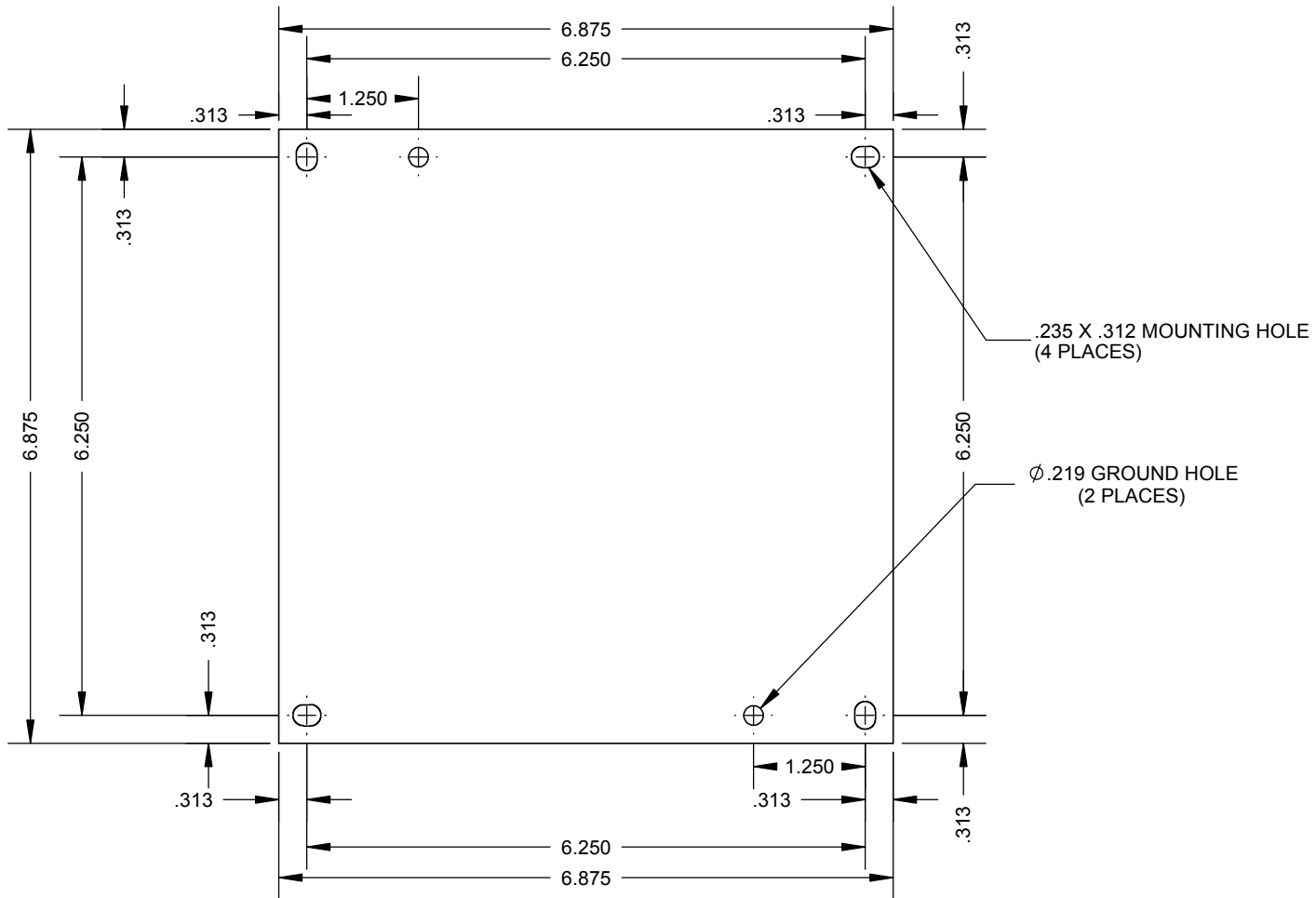



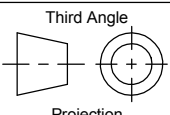
Catalog Number: A-88SBP
Item Description: STEEL PANELS
UPC Code: 784572174108

Brand Name: Milbank
Type: Panel for Mounting Electronic Controls
Application: Enclosure Accessory
Material: Steel
Shape: Square
Color: White
Mounting: Stud Mount



Utility requirements may vary. Always consult the serving utility for their requirements prior to ordering or installing this equipment. This product must always be installed by a licensed electrician. Installation of this equipment may require local electrical inspector approval.



Material:	16 GA. GALV.	 MILBANK <small>ENERGY AT WORK</small>	General Offices: Kansas City, MO		
Finish:	PAINTED WHITE		Title:	BACK PANEL 8 X 8 ENCLOSURE	
Tolerances: Unless Specified Otherwise X.X ±.1 X.XX ±.03 X.XXX ±.015 X° ±2°		 Third Angle Projection		Catalog No.:	A-88SBP
				Ref:	eECR2819
				Drawing No.:	1012361
**	08/05/14	FIRST RELEASE	AJS	Scale:	NTS
				Checked By:	
				Drawn By:	AJS
				Approved By:	
				Date:	08/05/14
				Sheet	1 of 1

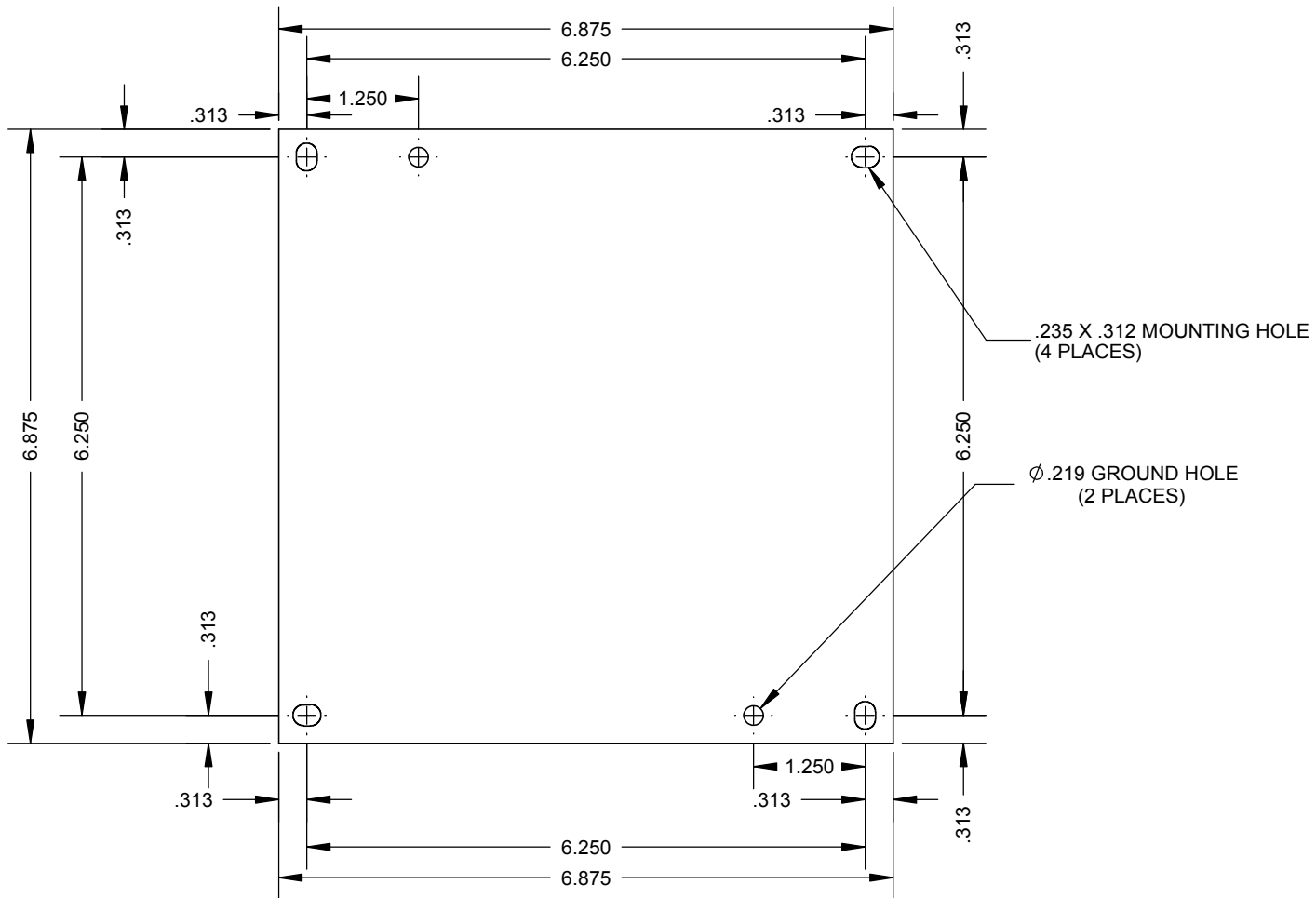



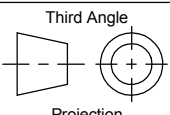
Catalog Number: A-88SBP
Item Description: STEEL PANELS
UPC Code: 784572174108

Brand Name: Milbank
Type: Panel for Mounting Electronic Controls
Application: Enclosure Accessory
Material: Steel
Shape: Square
Color: White
Mounting: Stud Mount



Utility requirements may vary. Always consult the serving utility for their requirements prior to ordering or installing this equipment. This product must always be installed by a licensed electrician. Installation of this equipment may require local electrical inspector approval.



Material:	16 GA. GALV.	 MILBANK <small>ENERGY AT WORK</small>	General Offices: Kansas City, MO		
Finish:	PAINTED WHITE		Title:	BACK PANEL 8 X 8 ENCLOSURE	
Tolerances: Unless Specified Otherwise X.X ±.1 X.XX ±.03 X.XXX ±.015 X° ±2°		 Third Angle Projection		Catalog No.:	A-88SBP
				Ref:	eECR2819
				Drawing No.:	1012361
**	08/05/14	FIRST RELEASE	AJS	Scale:	NTS
				Checked By:	
				Drawn By:	AJS
				Approved By:	
				Date:	08/05/14
				Sheet	1 of 1