

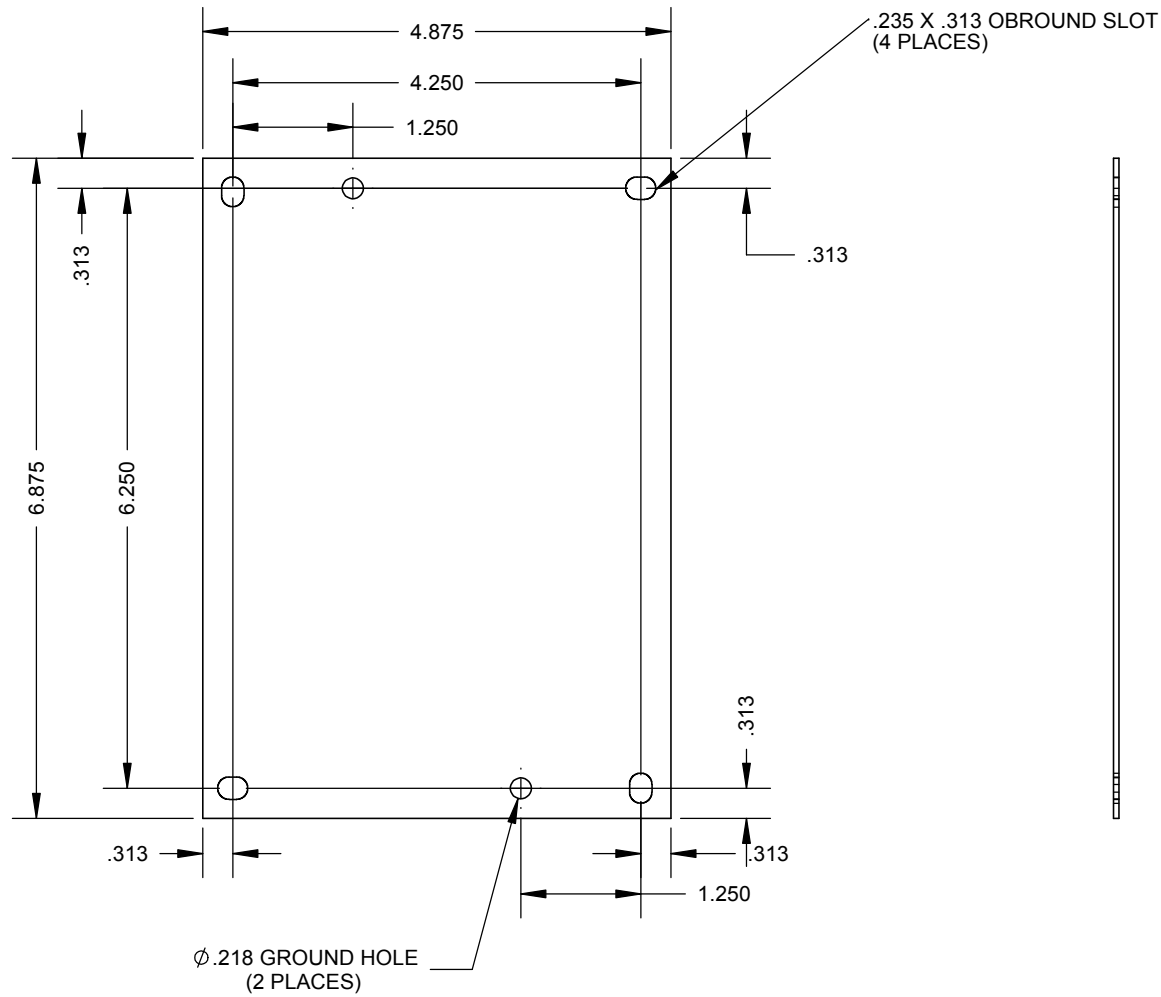



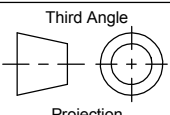
Catalog Number: A-86SBP  
Item Description: STEEL PANELS  
UPC Code: 784572174115

Brand Name: Milbank  
Type: Panel for Mounting Electronic Controls  
Application: Enclosure Accessory  
Material: Steel  
Shape: Rectangle  
Color: White  
Mounting: Stud Mount



*Utility requirements may vary. Always consult the serving utility for their requirements prior to ordering or installing this equipment. This product must always be installed by a licensed electrician. Installation of this equipment may require local electrical inspector approval.*



|  |               |   |              |                                  |                |
|--|---------------|---|--------------|----------------------------------|----------------|
| Material:  | 16 GA. GALV.  |  <b>MILBANK</b> General Offices:<br>Kansas City, MO<br><small>ENERGY AT WORK</small> | Title:       | BACK PANEL<br>8 X 6<br>ENCLOSURE |                |
| Finish:  | PAINTED WHITE |   | Catalog No.: |                                  |                |
| Tolerances:<br>Unless Specified Otherwise<br>X.X ±.1<br>X.XX ±.03<br>X.XXX ±.015<br>X° ±2° |               | <br>Third Angle<br>Projection  | Ref:         | eECR2819                         |                |
| Scale:   | NTS           |   | Checked By:  |                                  |                |
| Drawn By:  | AJS           | Approved By:  |              | Drawing No.:                     | <b>1012360</b> |
|  |               |   | Date:        | 7/29/14                          |                |
|  |               |   | Sheet        | 1 of 1                           |                |

|    |         |               |     |  |  |  |
|----|---------|---------------|-----|--|--|--|
| ** | 7/29/14 | FIRST RELEASE | AJS |  |  |  |
|----|---------|---------------|-----|--|--|--|

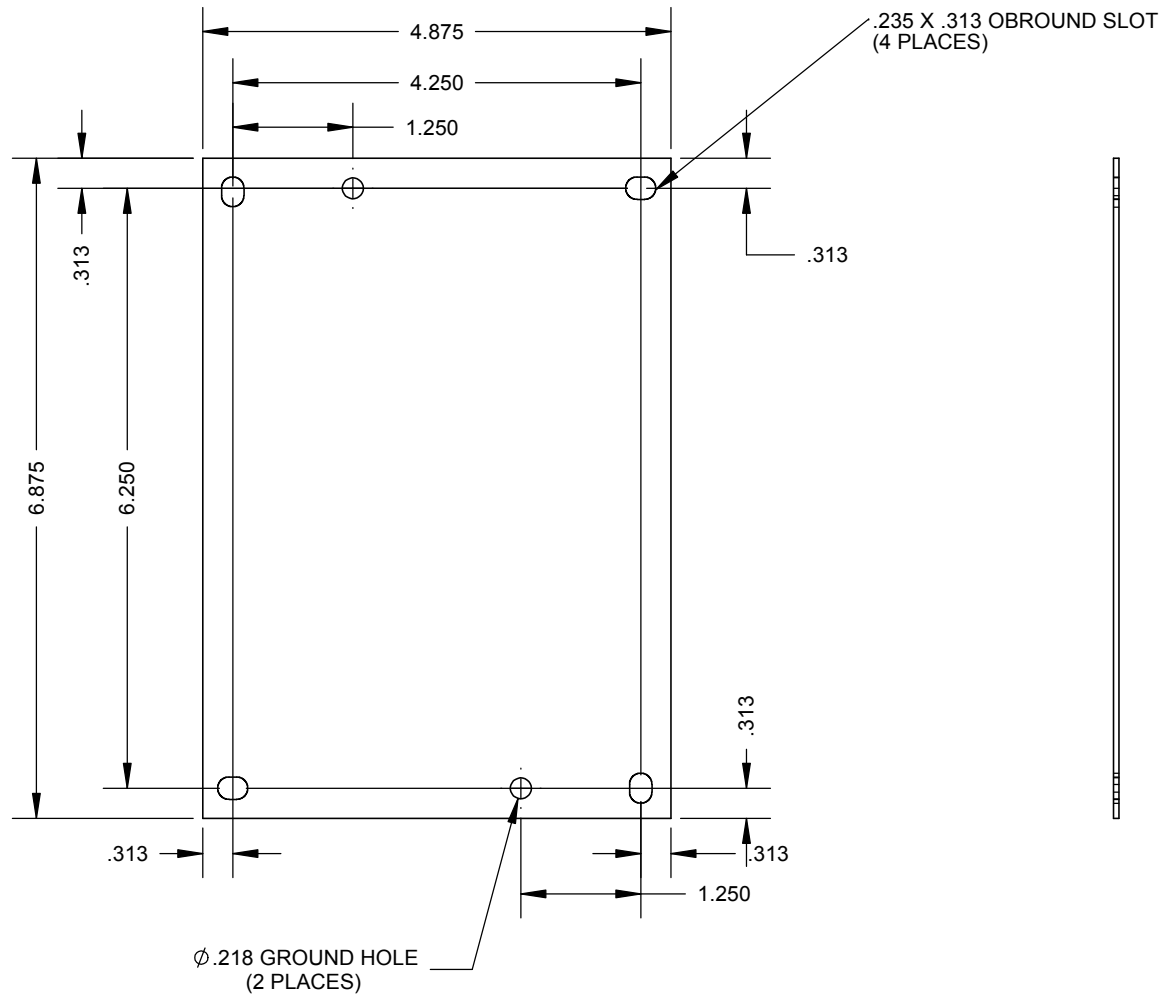



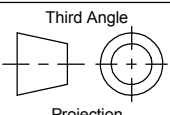
Catalog Number: A-86SBP  
Item Description: STEEL PANELS  
UPC Code: 784572174115

Brand Name: Milbank  
Type: Panel for Mounting Electronic Controls  
Application: Enclosure Accessory  
Material: Steel  
Shape: Rectangle  
Color: White  
Mounting: Stud Mount



*Utility requirements may vary. Always consult the serving utility for their requirements prior to ordering or installing this equipment. This product must always be installed by a licensed electrician. Installation of this equipment may require local electrical inspector approval.*



|  |               |   |              |                                  |                |
|--|---------------|---|--------------|----------------------------------|----------------|
| Material:  | 16 GA. GALV.  |  <b>MILBANK</b> General Offices:<br>Kansas City, MO<br><small>ENERGY AT WORK</small> | Title:       | BACK PANEL<br>8 X 6<br>ENCLOSURE |                |
| Finish:  | PAINTED WHITE |   | Catalog No.: |                                  |                |
| Tolerances:<br>Unless Specified Otherwise<br>X.X ±.1<br>X.XX ±.03<br>X.XXX ±.015<br>X° ±2° |               |  Third Angle<br>Projection   | Ref:         | eECR2819                         |                |
| Scale:   | NTS           |   | Checked By:  |                                  |                |
| Drawn By:  | AJS           | Approved By:  |              | Drawing No.:                     | <b>1012360</b> |
|  |               |   | Date:        | 7/29/14                          |                |
|  |               |   | Sheet        | 1 of 1                           |                |

|    |         |               |     |  |  |  |
|----|---------|---------------|-----|--|--|--|
| ** | 7/29/14 | FIRST RELEASE | AJS |  |  |  |
|----|---------|---------------|-----|--|--|--|