

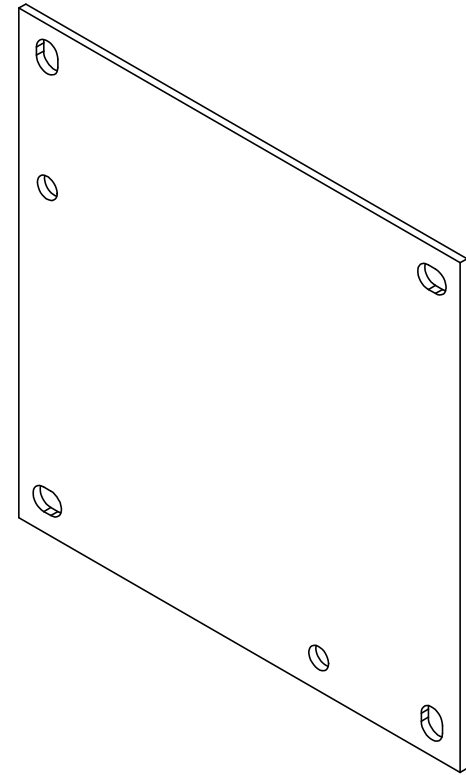
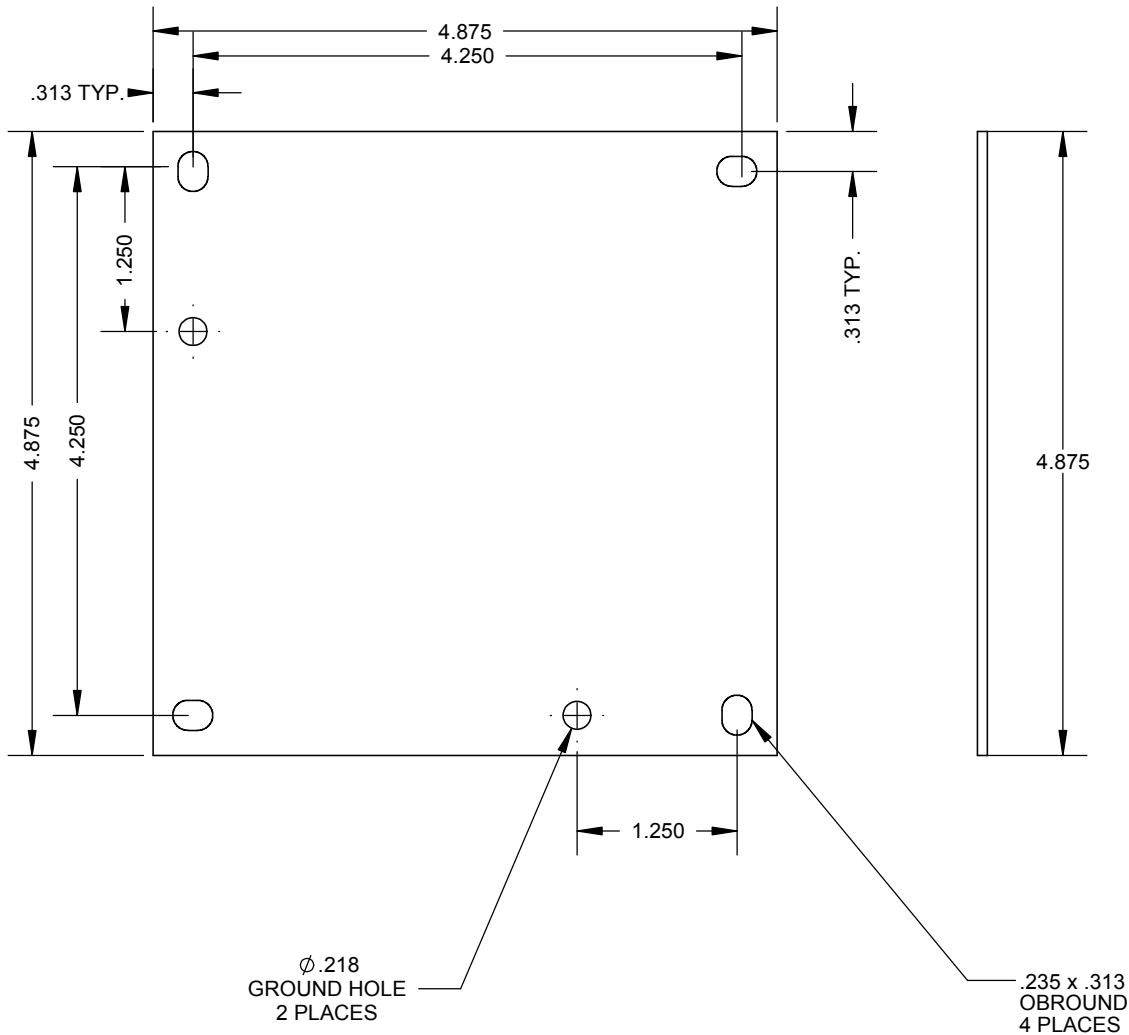


Catalog Number: A-66SBP
Item Description: STEEL PANELS
UPC Code: 784572174122

Brand Name: Milbank
Type: Panel for Mounting Electronic Controls
Application: Enclosure Accessory
Material: Steel
Shape: Square
Color: White
Mounting: Stud Mount


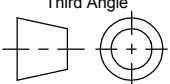


Utility requirements may vary. Always consult the serving utility for their requirements prior to ordering or installing this equipment. This product must always be installed by a licensed electrician. Installation of this equipment may require local electrical inspector approval.



$\varnothing .218$
GROUND HOLE
2 PLACES

.235 x .313
OBROUND
4 PLACES

Material:	14 GA. GALV STEEL		 MILBANK ENERGY AT WORK General Offices: Kansas City, MO	
Finish:	PAINTED WHITE			
Tolerances: Unless Specified Otherwise X.X ±.1 X.XX ±.03 X.XXX ±.015 X° ±2°		Third Angle 	Title:	BACK PANEL 6 x 6
		Projection	Catalog No.:	A-66SBP
			Ref:	
			Drawing No.:	1012359
**	6/10/14	FIRST RELEASE	AJS	
Scale:	NTS	Checked By:		Drawing No.:
Drawn By:	AJS	Approved By:		Date:
				6/10/14
				Sheet
				1 of 1

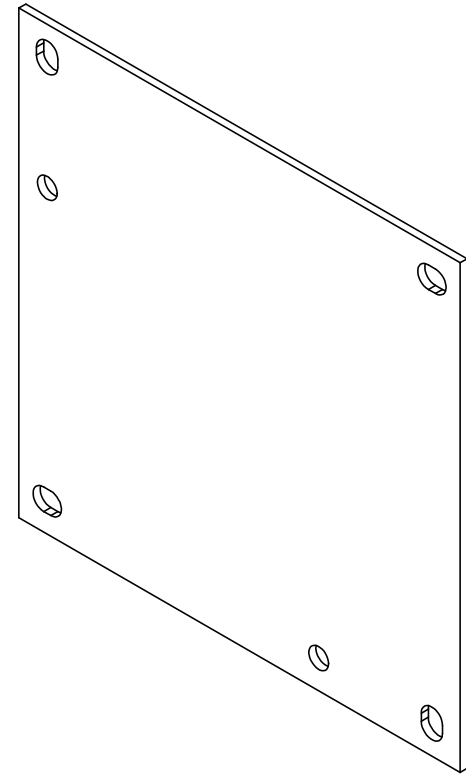
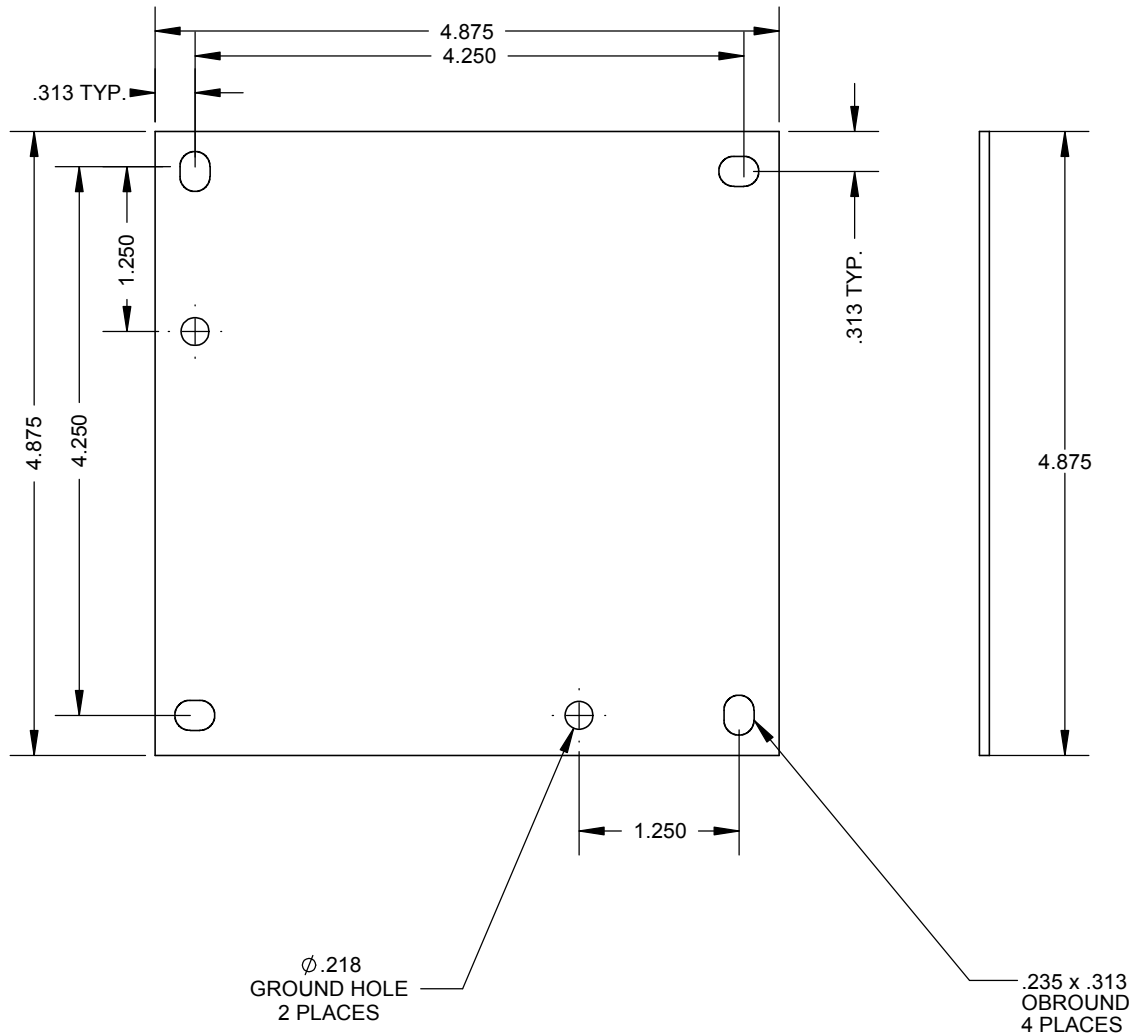



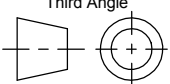
Catalog Number: A-66SBP
Item Description: STEEL PANELS
UPC Code: 784572174122

Brand Name: Milbank
Type: Panel for Mounting Electronic Controls
Application: Enclosure Accessory
Material: Steel
Shape: Square
Color: White
Mounting: Stud Mount



Utility requirements may vary. Always consult the serving utility for their requirements prior to ordering or installing this equipment. This product must always be installed by a licensed electrician. Installation of this equipment may require local electrical inspector approval.



Material:	14 GA. GALV STEEL		 MILBANK <small>ENERGY AT WORK</small>	General Offices: Kansas City, MO	
Finish:	PAINTED WHITE			Title:	BACK PANEL 6 x 6
Tolerances: Unless Specified Otherwise X.X ±.1 X.XX ±.03 X.XXX ±.015 X° ±2°			Third Angle  Projection	Catalog No.:	A-66SBP
Scale:	NTS	Checked By:		Ref:	
Drawn By:	AJS	Approved By:	Drawing No.:	1012359	
			Date:	6/10/14	Sheet 1 of 1

**	6/10/14	FIRST RELEASE	AJS			
----	---------	---------------	-----	--	--	--