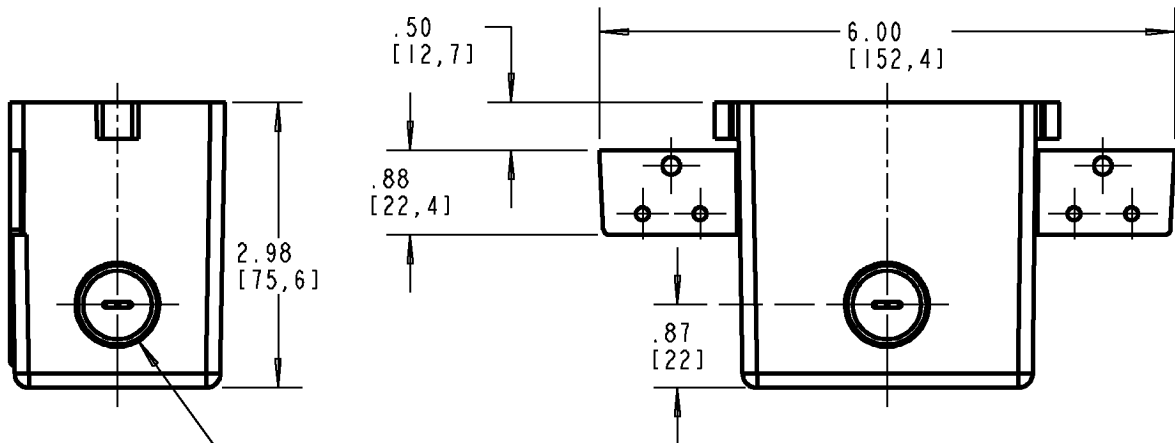
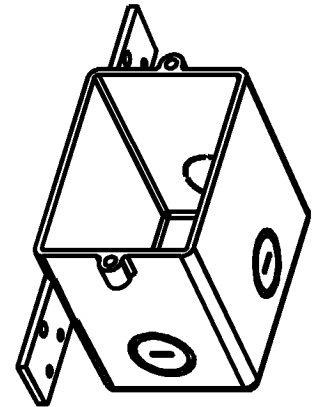
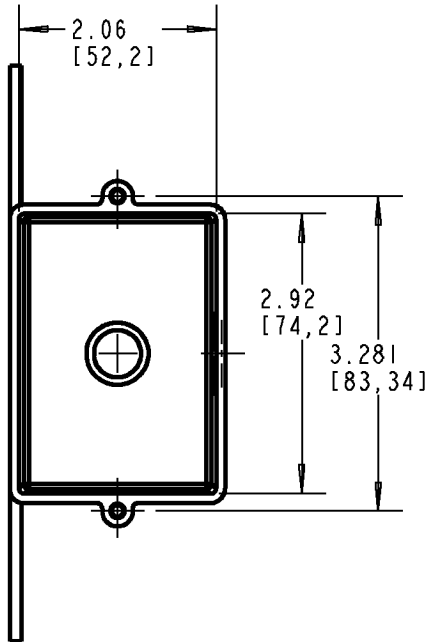


Carlton®



— KNOCKOUTS - 3 PLCS.
 1/2" - WSD-A58381D, WSD-A58381D-CAR
 3/4" - WSD-A58381E, WSD-A58381E-CAR

P/N
 A58381D
 A58381D-CAR
 A58381E
 A58381E-CAR

GENERAL NOTES

1. ALL DIMENSIONS ARE FOR REFERENCE ONLY.
2. DIMENSIONS IN BRACKETS [] ARE IN METRIC UNITS.

REVISIONS

*** SEE ERN (****) FOR APPROVAL SIGNATURES & RELEASE DATE.
 PROJECT NO: ****

Thomas & Betts
 www.tnb.com

DESCRIPTION:

**1 GANG DEVICE BOX
 W/ENT KNOCKOUTS**

ORIGINAL PROJECT NO / (ERN NO)

/ ()

SHEET NO:

1 OF 1

REV. NO:

A

DRAWING NO:

WSD-AC04568