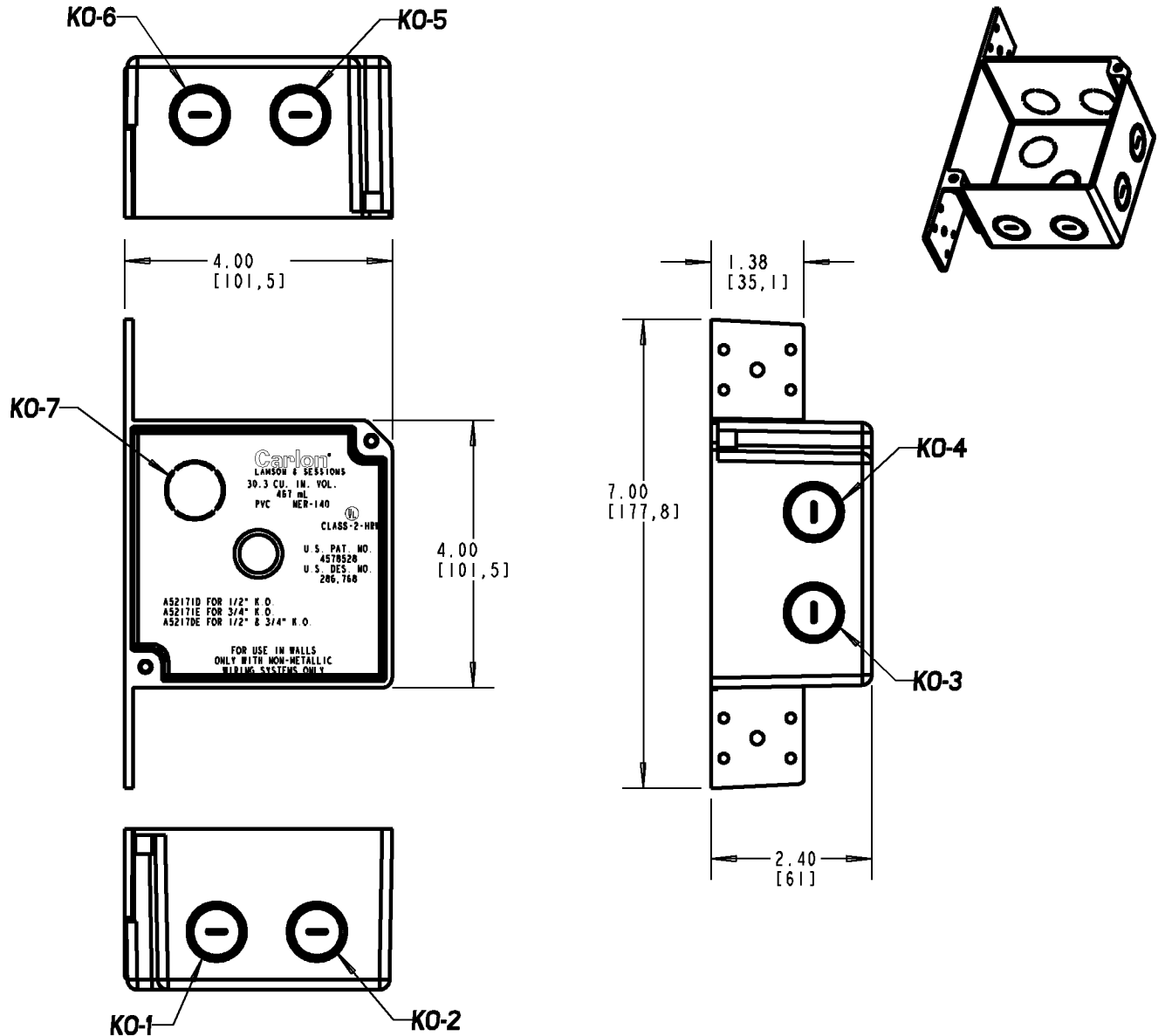


Carlton®



SIZE	PART NO.	KO-1	KO-2	KO-3	KO-4	KO-5	KO-6	KO-7
1/2"	A52171D	Ø .88 [22.2]	Ø .88 [22.2]	Ø .88 [22.2]	Ø .88 [22.2]	Ø .88 [22.2]	Ø .88 [22.2]	Ø .88 [22.2]
3/4"	A52171E	Ø 1.11 [27.7]	Ø 1.11 [27.7]	Ø 1.11 [27.7]	Ø 1.11 [27.7]	Ø 1.11 [27.7]	Ø 1.11 [27.7]	Ø .88 [22.2]
1/2" & 3/4"	A5217DE A5217DE-CAR	Ø .88 [22.2]	Ø 1.11 [27.7]	Ø 1.11 [27.7]	Ø .88 [22.2]	Ø .88 [22.2]	Ø 1.11 [27.7]	Ø .88 [22.2]

GENERAL NOTES

- ALL DIMENSIONS ARE FOR REFERENCE ONLY.
- DIMENSIONS IN BRACKETS [] ARE IN METRIC UNITS.

REVISIONS

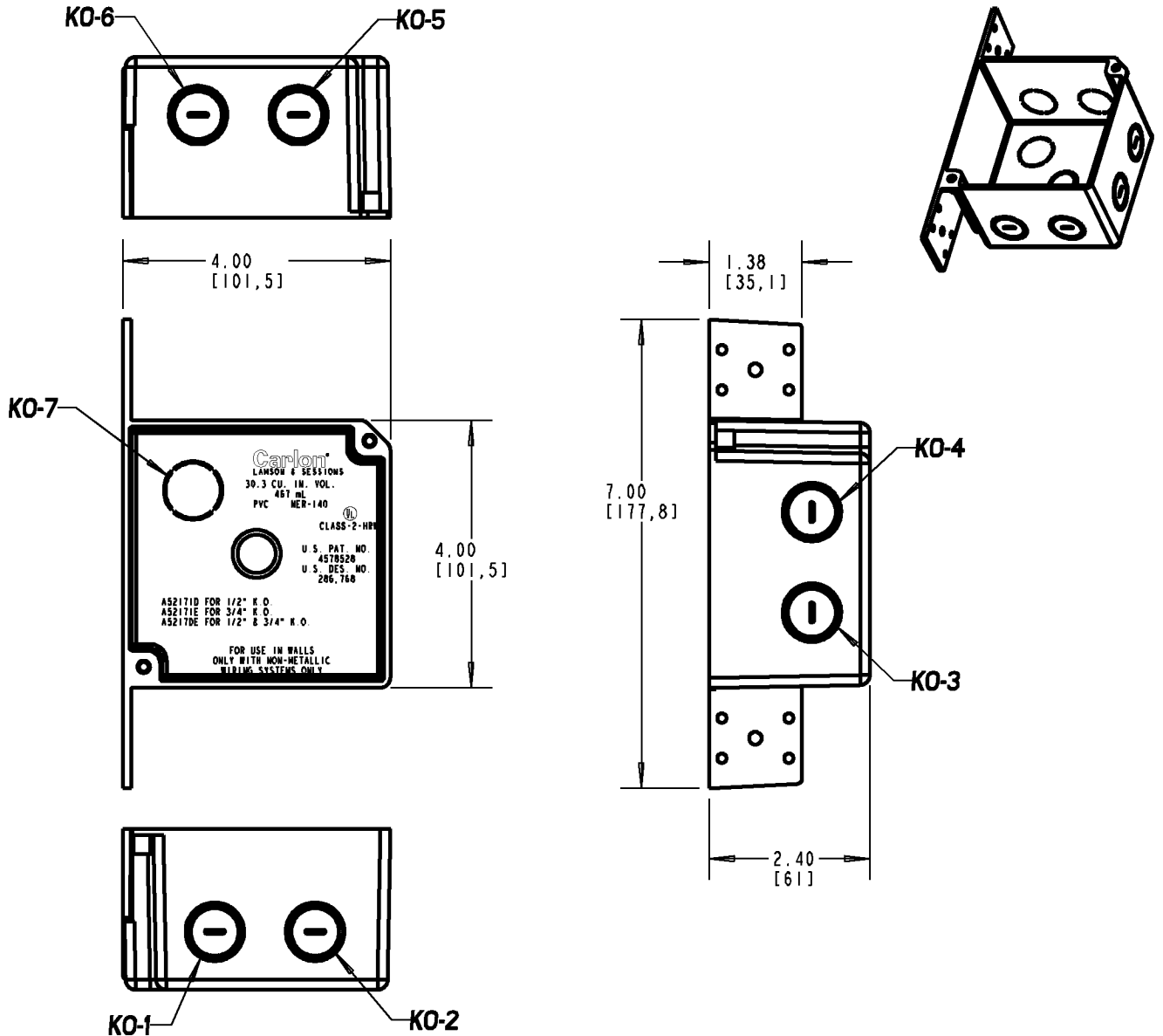
*** SEE ERN (****) FOR APPROVAL SIGNATURES & RELEASE DATE.
PROJECT NO: ****

Thomas & Betts
www.tnb.com

DESCRIPTION: **4" SQ. DEEP BOX
W/KNOCKOUTS**

ORIGINAL PROJECT NO / (ERN NO) / ()	SHEET NO: 1 OF 1	REV. NO: A	DRAWING NO: WSD-AC04139
---	---------------------	---------------	----------------------------

Carlton®



SIZE	PART NO.	KO-1	KO-2	KO-3	KO-4	KO-5	KO-6	KO-7
1/2"	A52171D	∅ .88 [22.2]	∅ .88 [22.2]	∅ .88 [22.2]	∅ .88 [22.2]	∅ .88 [22.2]	∅ .88 [22.2]	∅ .88 [22.2]
3/4"	A52171E	∅ 1.11 [27.7]	∅ 1.11 [27.7]	∅ 1.11 [27.7]	∅ 1.11 [27.7]	∅ 1.11 [27.7]	∅ 1.11 [27.7]	∅ .88 [22.2]
1/2" & 3/4"	A5217DE A5217DE-CAR	∅ .88 [22.2]	∅ 1.11 [27.7]	∅ 1.11 [27.7]	∅ .88 [22.2]	∅ .88 [22.2]	∅ 1.11 [27.7]	∅ .88 [22.2]

GENERAL NOTES

1. ALL DIMENSIONS ARE FOR REFERENCE ONLY.
2. DIMENSIONS IN BRACKETS [] ARE IN METRIC UNITS.

REVISIONS

*** SEE ERN (****) FOR APPROVAL SIGNATURES & RELEASE DATE.
PROJECT NO: ****

Thomas & Betts
www.tnb.com

DESCRIPTION:

**4" SQ. DEEP BOX
W/KNOCKOUTS**

ORIGINAL PROJECT NO / (ERN NO)

/ ()

SHEET NO:

1 OF 1

REV. NO:

A

DRAWING NO:

WSD-AC04139