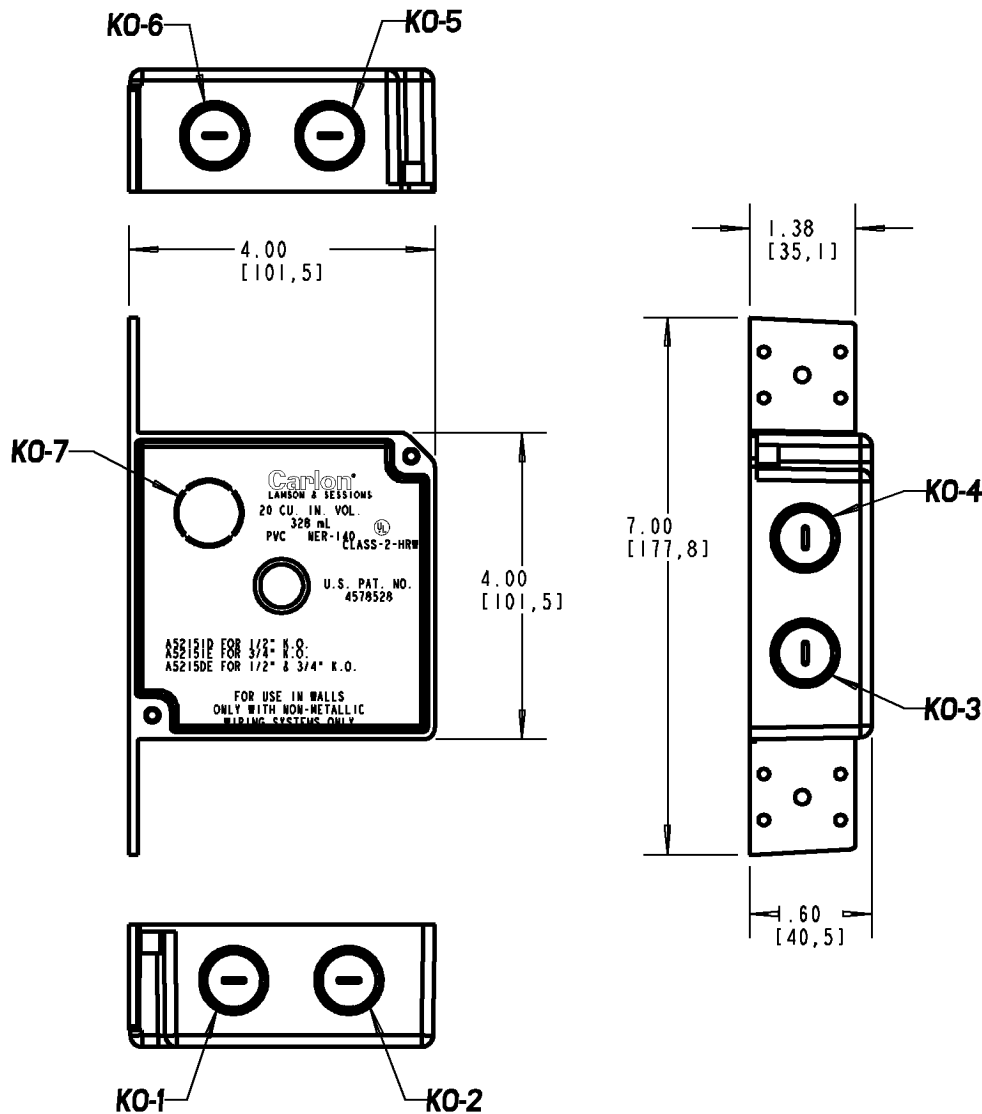


# Carlton®



SIZE	PART NO.	KO-1	KO-2	KO-3	KO-4	KO-5	KO-6	KO-7
1/2"	A52151D A52151DR-CAR	∅ .88 [22.2]	∅ .88 [22.2]	∅ .88 [22.2]	∅ .88 [22.2]	∅ .88 [22.2]	∅ .88 [22.2]	∅ .88 [22.2]
3/4"	A52151E A52151ER-CAR	∅ 1.11 [27.7]	∅ 1.11 [27.7]	∅ 1.11 [27.7]	∅ 1.11 [27.7]	∅ 1.11 [27.7]	∅ 1.11 [27.7]	∅ .88 [22.2]
1/2" & 3/4"	A52151DE A52151DE-CAR	∅ .88 [22.2]	∅ 1.11 [27.7]	∅ 1.11 [27.7]	∅ .88 [22.2]	∅ .88 [22.2]	∅ 1.11 [27.7]	∅ .88 [22.2]

## GENERAL NOTES

- ALL DIMENSIONS ARE FOR REFERENCE ONLY.
- DIMENSIONS IN BRACKETS [ ] ARE IN METRIC UNITS.

## REVISIONS

\*\*\* SEE ERN (\*\*\*\*) FOR APPROVAL SIGNATURES & RELEASE DATE. PROJECT NO: \*\*\*\*

**Thomas & Betts**  
www.tnb.com

DESCRIPTION:

**4" SQ. SHALLOW BOX  
W/KNOCKOUTS**

ORIGINAL PROJECT NO / ( ERN NO )

/ ( )

SHEET NO:

1 OF 1

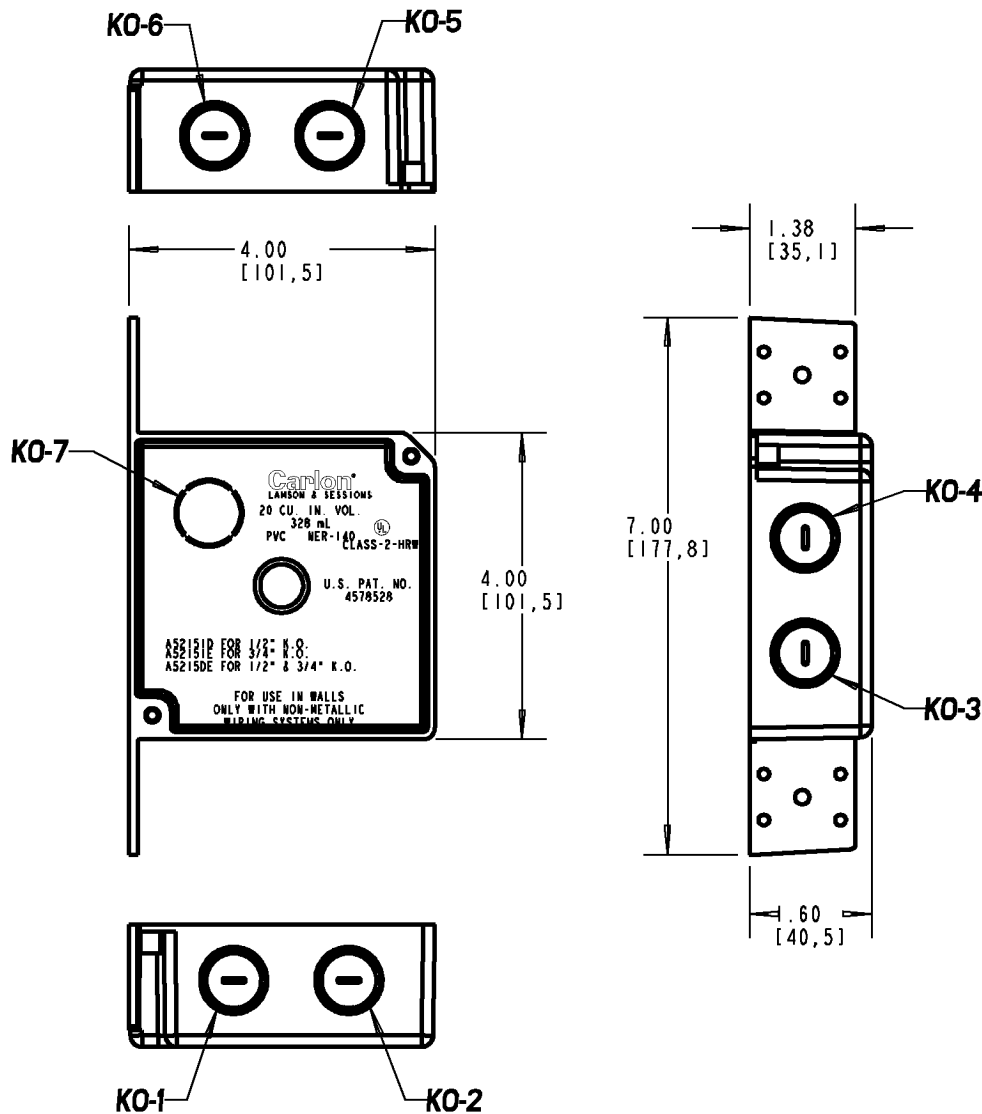
REV. NO:

A

DRAWING NO:

**WSD-AC04140**

# Carlton®



SIZE	PART NO.	KO-1	KO-2	KO-3	KO-4	KO-5	KO-6	KO-7
1/2"	A52151D A52151DR-CAR	∅ .88 [22.2]	∅ .88 [22.2]	∅ .88 [22.2]	∅ .88 [22.2]	∅ .88 [22.2]	∅ .88 [22.2]	∅ .88 [22.2]
3/4"	A52151E A52151ER-CAR	∅ 1.11 [27.7]	∅ 1.11 [27.7]	∅ 1.11 [27.7]	∅ 1.11 [27.7]	∅ 1.11 [27.7]	∅ 1.11 [27.7]	∅ .88 [22.2]
1/2" & 3/4"	A52151DE A52151DE-CAR	∅ .88 [22.2]	∅ 1.11 [27.7]	∅ 1.11 [27.7]	∅ .88 [22.2]	∅ .88 [22.2]	∅ 1.11 [27.7]	∅ .88 [22.2]

## GENERAL NOTES

- ALL DIMENSIONS ARE FOR REFERENCE ONLY.
- DIMENSIONS IN BRACKETS [ ] ARE IN METRIC UNITS.

## REVISIONS

\*\*\* SEE ERN (\*\*\*\*) FOR APPROVAL SIGNATURES & RELEASE DATE.  
PROJECT NO: \*\*\*\*

**Thomas & Betts**  
www.tnb.com

DESCRIPTION:

**4" SQ. SHALLOW BOX  
W/KNOCKOUTS**

ORIGINAL PROJECT NO / ( ERN NO )

/ ( )

SHEET NO:

1 OF 1

REV. NO:

A

DRAWING NO:

WSD-AC04140