

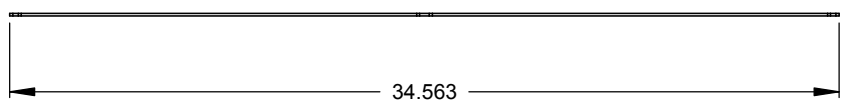
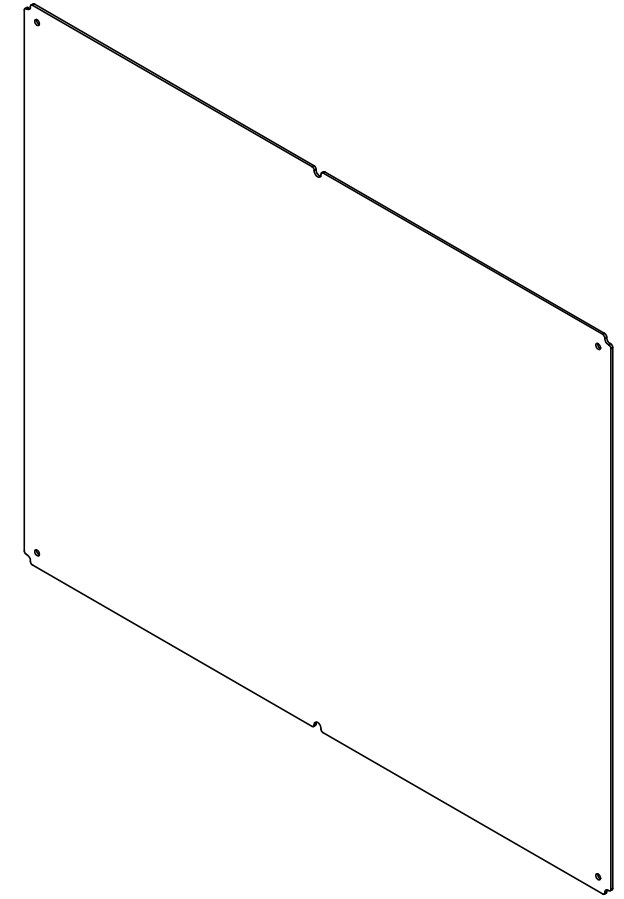
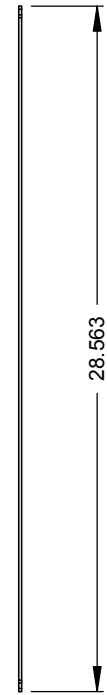
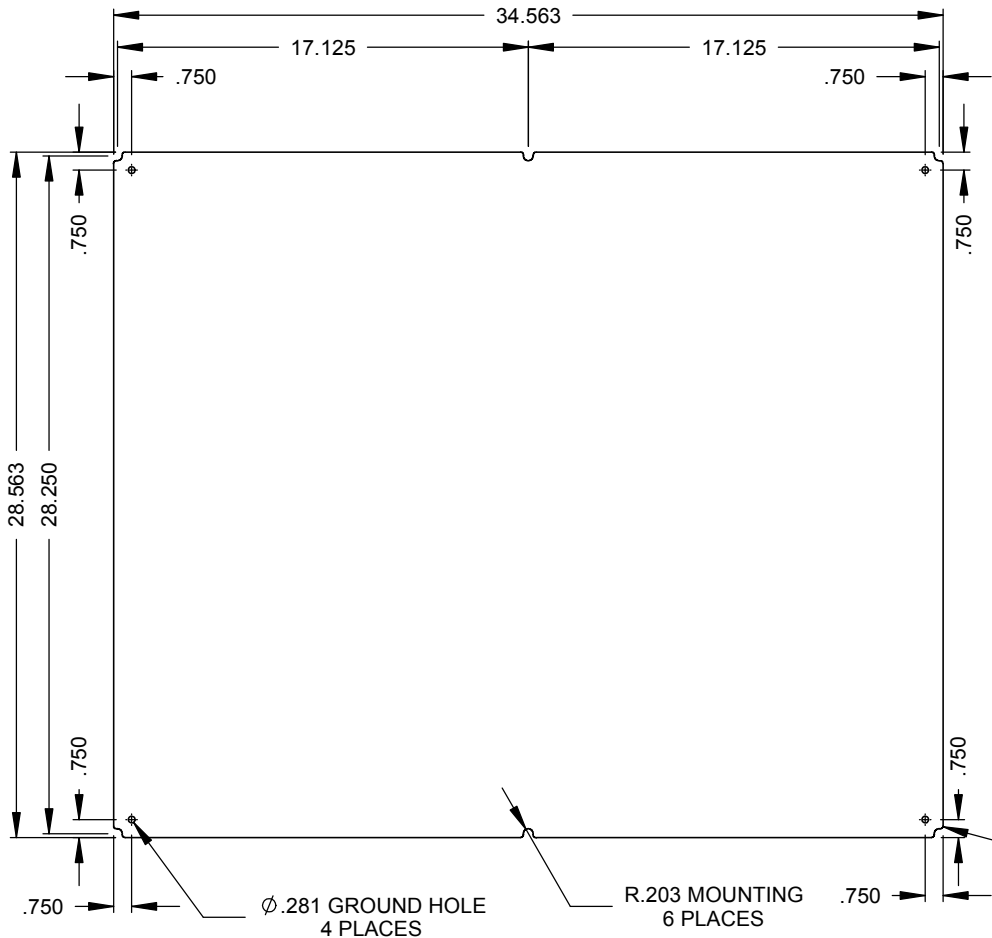



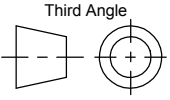
Catalog Number: A-3630SBP
Item Description: STEEL PANELS
UPC Code: 784572288683

Brand Name: Milbank
Type: Panel for Mounting Electronic Controls
Application: Enclosure Accessory
Material: Steel
Shape: Rectangle
Color: White
Mounting: Stud Mount



Utility requirements may vary. Always consult the serving utility for their requirements prior to ordering or installing this equipment. This product must always be installed by a licensed electrician. Installation of this equipment may require local electrical inspector approval.



Material:	12 GA. GALV. STEEL	 MILBANK <small>ENERGY AT WORK</small>	General Offices: Kansas City, MO	
Finish:	PAINTED WHITE		Title:	BACK PANEL 36 x 30
Tolerances: Unless Specified Otherwise X.X ±.1 X.XX ±.03 X.XXX ±.015 X° ±2°		Catalog No.:	A-3630SBP	
 Third Angle Projection		Ref:		
		Drawing No.:	1008798	
Scale:	NTS	Checked By:		
Drawn By:	AJS	Approved By:		
		Date:	10/21/14	
		Sheet	1 of 1	

**	10/21/14	FIRST RELEASE (eECR2819)	AJS			
----	----------	--------------------------	-----	--	--	--

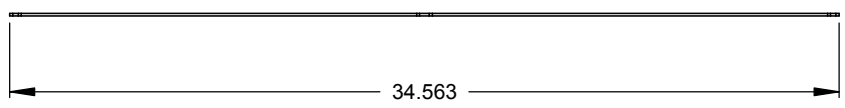
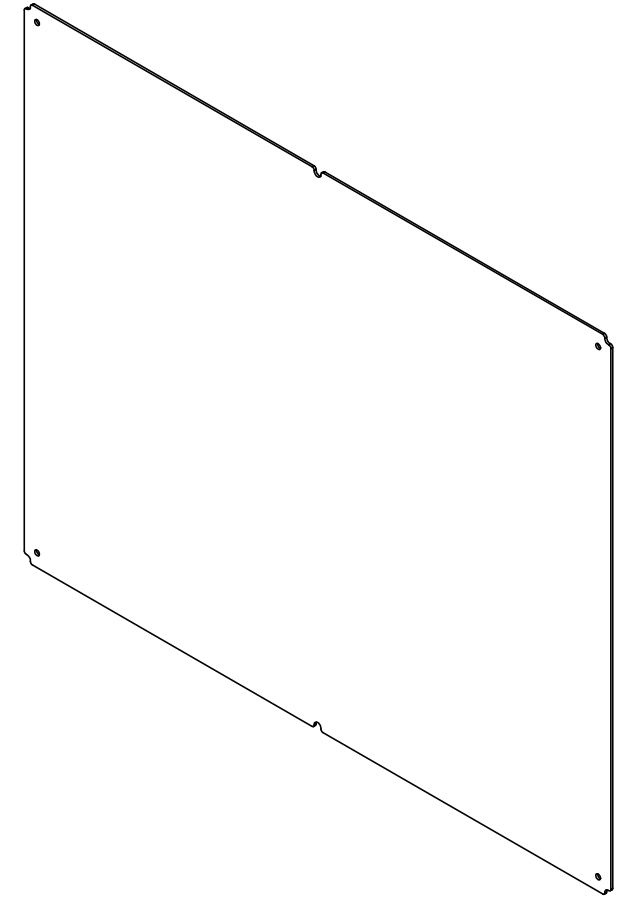
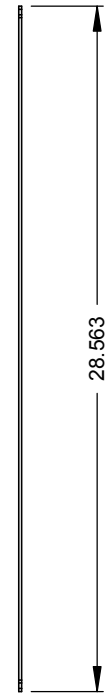
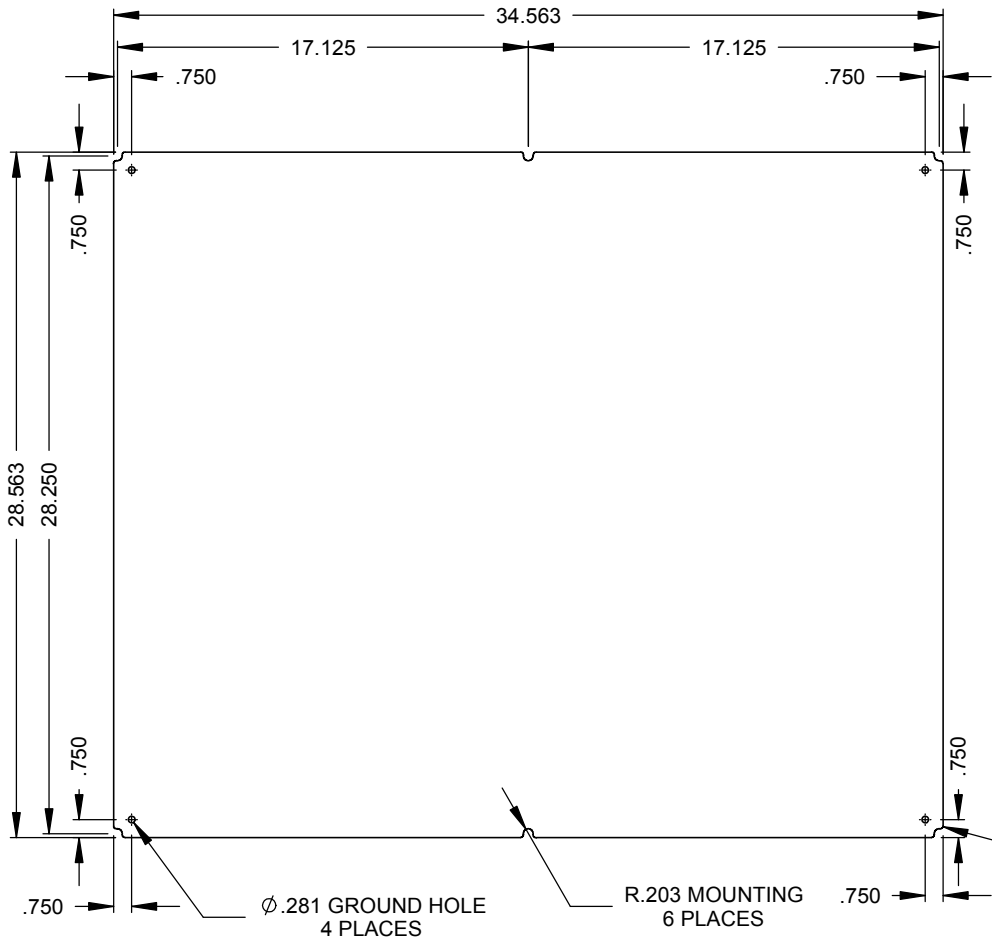



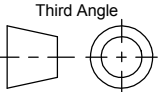
Catalog Number: A-3630SBP
Item Description: STEEL PANELS
UPC Code: 784572288683

Brand Name: Milbank
Type: Panel for Mounting Electronic Controls
Application: Enclosure Accessory
Material: Steel
Shape: Rectangle
Color: White
Mounting: Stud Mount



Utility requirements may vary. Always consult the serving utility for their requirements prior to ordering or installing this equipment. This product must always be installed by a licensed electrician. Installation of this equipment may require local electrical inspector approval.



Material:	12 GA. GALV. STEEL		 MILBANK <small>ENERGY AT WORK</small>	General Offices: Kansas City, MO	
Finish:	PAINTED WHITE			Title:	BACK PANEL 36 x 30
Tolerances: Unless Specified Otherwise X.X ±.1 X.XX ±.03 X.XXX ±.015 X° ±2°			Third Angle  Projection	Catalog No.:	A-3630SBP
Scale:	NTS	Checked By:		Ref:	
Drawn By:	AJS	Approved By:	Drawing No.:	1008798	
			Date:	10/21/14	Sheet 1 of 1

**	10/21/14	FIRST RELEASE (eECR2819)	AJS			
----	----------	--------------------------	-----	--	--	--