

THE WALL OF ORANGE™

BUILT FOR WHAT MATTERS



BUSHINGS REDEFINED.

MIGHTY-RITE® SPLIT BUSHINGS
DO MORE THAN JUST PROTECT CONDUCTORS.

STEEL



1/2 TO 6-INCH TRADE SIZES

NONMETALLIC



1 TO 4-INCH TRADE SIZES

ZINC



3/4 TO 4-INCH TRADE SIZES

NO MORE BURNING THROUGH BUSHINGS
OR FIGHTING WITH PULLERS.

See the Difference a bushing can make on your next job.

 **BRIDGEPORT**
BPTFITTINGS.COM

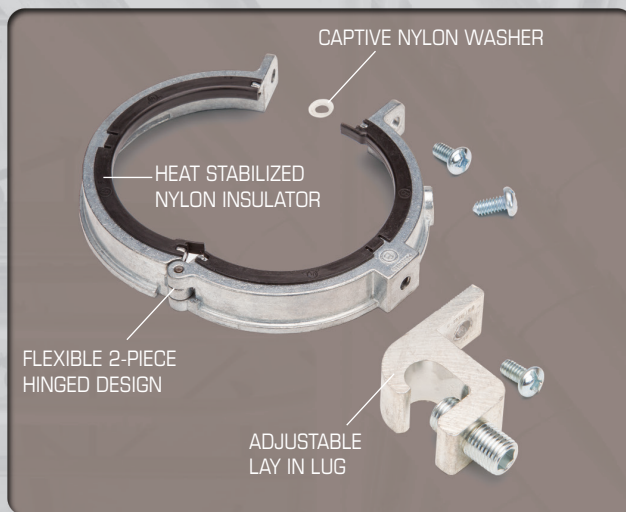


SEE THE DIFFERENCE
ORANGE MAKES™
BPTFITTINGS.COM/SPLIT

MIGHTY-RITE® SPLIT GROUNDING BUSHINGS

THE RIGHT SOLUTION BEFORE OR AFTER YOU PULL WIRE

Install MIGHTY-RITE Split Grounding Bushings before or after you pull wire and make connections. Its hinged design and adjustable grounding lug deliver installation flexibility on every job. So you can move on to the next job faster. It's another contractor innovation from Bridgeport.



- CAN BE INSTALLED BEFORE WIRE PULL, OR AFTER - WITHOUT EXPENSIVE REWORK
- ADJUSTABLE GROUNDING LUG ACCEPTS WIRE EASIER
- PULLING LARGER CONDUCTOR WIRE IS EASIER WHEN YOU CAN INSTALL GROUNDING BUSHINGS AFTER THE PULL
- LOW PROFILE
- HINGED DESIGN ADJUSTS AND ALIGNS EASIER - EVEN IN TIGHT SPOTS
- cULus LISTED
- AVAILABLE IN ZINC AND STEEL
- 150°C CAPTIVE NYLON INSULATOR



Mighty-Rite® Split Grounding Bushings

Mighty-Rite's hinged design and adjustable grounding lug deliver installation flexibility on every job. Zinc Die Cast versions provided with stainless steel hardware. Perfect for Solar Applications! Patented.

cULus File No. E20412

Zinc Die Cast / Nylon Insulator - 150°C



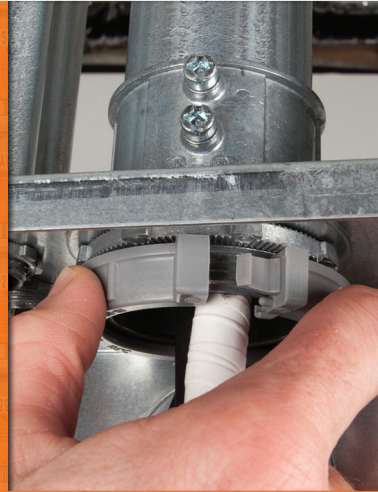
| Catalog Number | Grounding Lug Wire Capacity | | Trade Size | Unit Qty. | Std. Qty. |
|----------------|-----------------------------|------|------------|-----------|-----------|
| | Min. Solid Strand | Max. | | | |
| SGB-382CL | 14 to 4 | | 3/4" | 25 | 250 |
| SGB-383CL | 14 to 4 | | 1" | 25 | 250 |
| SGB-38414 | 14 to 4 | | 1 1/4" | 20 | 200 |
| SGB-384CL | 14 to 1/0 | | 1 1/4" | 20 | 200 |
| SGB-38514 | 14 to 4 | | 1 1/2" | 20 | 200 |
| SGB-385CL | 14 to 1/0 | | 1 1/2" | 20 | 200 |
| SGB-38614 | 14 to 4 | | 2" | 10 | 100 |
| SGB-386CL | 14 to 1/0 | | 2" | 10 | 100 |
| SGB-38740 | 6 to 250 MCM | | 2 1/2" | --- | 25 |
| SGB-387CL | 14 to 1/0 | | 2 1/2" | --- | 25 |
| SGB-38840 | 6 to 250 MCM | | 3" | --- | 25 |
| SGB-388CL | 14 to 1/0 | | 3" | --- | 25 |
| SGB-38940 | 6 to 250 MCM | | 3 1/2" | --- | 25 |
| SGB-389CL | 6 to 3/0 | | 3 1/2" | --- | 25 |
| SGB-39040 | 6 to 250 MCM | | 4" | --- | 20 |
| SGB-390CL | 6 to 3/0 | | 4" | --- | 20 |

Steel / Nylon Insulator - 150°C

| Catalog Number | Grounding Lug Wire Capacity | | Trade Size | Unit Qty. | Std. Qty. |
|----------------|-----------------------------|------|------------|-----------|-----------|
| | Min. Solid Strand | Max. | | | |
| SGBS-381CL | 14 to 4 | | 1/2" | 25 | 100 |
| SGBS-382CL | 14 to 4 | | 3/4" | 25 | 250 |
| SGBS-383CL | 14 to 4 | | 1" | 25 | 250 |
| SGBS-38414 | 14 to 4 | | 1 1/4" | 20 | 200 |
| SGBS-384CL | 14 to 1/0 | | 1 1/4" | 20 | 200 |
| SGBS-38514 | 14 to 4 | | 1 1/2" | 20 | 200 |
| SGBS-385CL | 14 to 1/0 | | 1 1/2" | 20 | 200 |
| SGBS-38614 | 14 to 4 | | 2" | 10 | 100 |
| SGBS-386CL | 14 to 1/0 | | 2" | 10 | 100 |
| SGBS-38740 | 6 to 250 MCM | | 2 1/2" | --- | 25 |
| SGBS-387CL | 14 to 1/0 | | 2 1/2" | --- | 25 |
| SGBS-38840 | 6 to 250 MCM | | 3" | --- | 25 |
| SGBS-388CL | 14 to 1/0 | | 3" | --- | 25 |
| SGBS-38940 | 6 to 250 MCM | | 3 1/2" | --- | 25 |
| SGBS-389CL | 6 to 3/0 | | 3 1/2" | --- | 25 |
| SGBS-39040 | 6 to 250 MCM | | 4" | --- | 20 |
| SGBS-390CL | 6 to 3/0 | | 4" | --- | 20 |
| SGBS-39050 | 350 to 500 MCM | | 4" | --- | 20 |
| SGBS-39150 | 350 to 500 MCM | | 5" | --- | 20 |
| SGBS-39250 | 350 to 500 MCM | | 6" | --- | 20 |

FOR MORE INFORMATION, VISIT: WWW.BPTFITTINGS.COM

NO BUSHING? NO WORRIES.



MIGHTY-RITE® NONMETALLIC SPLIT BUSHINGS

Needed to install an insulated bushing? Mighty-Rite's hinged design solves your problem. Simply snap-on before or after inspection. It's another contractor innovation from Bridgeport.

Patented and Other Patents Pending.

- CAN BE INSTALLED BEFORE WIRE PULL, OR AFTER – WITHOUT EXPENSIVE REWORK
- PULLING LARGER CONDUCTOR WIRE IS EASIER WHEN YOU CAN INSTALL BUSHINGS AFTER THE PULL
- HINGED DESIGN ADJUSTS AND ALIGNS EASIER – EVEN IN TIGHT SPOTS
- UNIQUE, SELF-ALIGNING LATCHING MECHANISM ALLOWS ONE HAND INSTALLATION
- cULus LISTED
- AVAILABLE IN 1- TO 4-INCH TRADE SIZES
- RATED 105°C

Distributed by:



 **BRIDGEPORT**
BPTFITTINGS.COM

Bridgeport Fittings, Inc.
705 Lordship Blvd.
Stratford, CT 06615-7313

Voice: 203.377.5944
Fax: 203.381.3488
E-mail: sales@bptfittings.com

CONNECT
ONLINE



Printed in the U.S.A.
© 2017 Bridgeport Fittings, Inc. All rights reserved.

3/17 XXXX BP-825

BUSHINGS ENGINEERED WITH THE BRIDGEPORT DIFFERENCE



Insulated Grounding Bushings

Used with locknut to terminate service conduit to cabinet. Aluminum alloy lug provided for bonding jumper to neutral busbar. Plastic liner prevents damage to wire insulation.

UL File No. E20412

Malleable Iron / Nylon Insulator - 150°C

| Catalog Number | Grounding Lug Wire Capacity | | Trade Size | Unit Qty. | Std. Qty. |
|----------------|-----------------------------|------|------------|-----------|-----------|
| | Min. Solid Strand | Max. | | | |
| 381 | 14 to 4 | | 1/2" | 50 | 500 |
| 382 | 14 to 4 | | 3/4" | 50 | 500 |
| 383 | 14 to 4 | | 1" | 25 | 250 |
| 384 | 14 to 1/0 | | 1 1/4" | 20 | 200 |
| 384-14 | 14 to 4 | | 1 1/4" | 20 | 200 |
| 385 | 14 to 1/0 | | 1 1/2" | 20 | 200 |
| 385-14 | 14 to 4 | | 1 1/2" | 20 | 200 |
| 386 | 14 to 1/0 | | 2" | 10 | 100 |
| 386-14 | 14 to 4 | | 2" | 10 | 100 |
| 387 | 14 to 1/0 | | 2 1/2" | --- | 25 |
| 387-40 | 6 to 250 MCM | | 2 1/2" | --- | 25 |
| 388 | 14 to 1/0 | | 3" | --- | 25 |
| 388-40 | 6 to 250 MCM | | 3" | --- | 25 |
| 389 | 14 to 1/0 | | 3 1/2" | --- | 25 |
| 389-40 | 6 to 250 MCM | | 3 1/2" | --- | 25 |
| 390 | 14 to 1/0 | | 4" | --- | 20 |
| 390-40 | 6 to 250 MCM | | 4" | --- | 20 |
| 391 | 6 to 250 MCM | | 5" | --- | 5 |
| 392 | 6 to 250 MCM | | 6" | --- | 5 |

Zinc Die Cast / Nylon Insulator - 150°C

| Catalog Number | Grounding Lug Wire Capacity | | Trade Size | Unit Qty. | Std. Qty. |
|----------------|-----------------------------|------|------------|-----------|-----------|
| | Min. Solid Strand | Max. | | | |
| 381-DC | 14 to 4 | | 1/2" | 50 | 500 |
| 382-DC | 14 to 4 | | 3/4" | 50 | 500 |
| 383-DC | 14 to 4 | | 1" | 25 | 250 |
| 384-DC | 14 to 1/0 | | 1 1/4" | 20 | 200 |
| 384-DC14 | 14 to 4 | | 1 1/4" | 20 | 200 |
| 385-DC | 14 to 1/0 | | 1 1/2" | 20 | 200 |
| 385-DC14 | 14 to 4 | | 1 1/2" | 20 | 200 |
| 386-DC | 14 to 1/0 | | 2" | 10 | 100 |
| 386-DC14 | 14 to 4 | | 2" | 10 | 100 |
| 387-DC | 14 to 1/0 | | 2 1/2" | --- | 25 |
| 387-DC40 | 6 to 250 MCM | | 2 1/2" | --- | 25 |
| 388-DC | 14 to 1/0 | | 3" | --- | 25 |
| 388-DC40 | 6 to 250 MCM | | 3" | --- | 25 |
| 389-DC | 14 to 1/0 | | 3 1/2" | --- | 25 |
| 389-DC40 | 6 to 250 MCM | | 3 1/2" | --- | 25 |
| 390-DC | 14 to 1/0 | | 4" | --- | 20 |
| 390-DC40 | 6 to 250 MCM | | 4" | --- | 20 |



Mighty-Rite® Nonmetallic Split Bushings

Patented split design allows for installation after conductors have been pulled. Used with a locknut to terminate threaded rigid and IMC to a box or enclosure. Used with a connector to prevent damage to wire insulation. Rated 105°C.

UL File No. E9391

Nonmetallic Split Bushing

| Catalog Number | Trade Size | Unit Qty. | Std. Qty. |
|----------------|------------|-----------|-----------|
| SB-383NM | 1" | 25 | 250 |
| SB-384NM | 1 1/4" | 20 | 200 |
| SB-385NM | 1 1/2" | 20 | 200 |
| SB-386NM | 2" | 10 | 100 |
| SB-387NM | 2 1/2" | --- | 25 |
| SB-388NM | 3" | --- | 25 |
| SB-389NM | 3 1/2" | --- | 25 |
| SB-390NM | 4" | --- | 20 |

Threadless Grounding Bushings

Used with a locknut to terminate threadless rigid conduit or IMC to a cabinet. Aluminum alloy lug provided for bonding jumper to neutral busbar. Plastic liner prevents damage to wire insulation.

UL File No. E20412



Malleable Iron / Aluminum Alloy Lug

| Catalog Number | Grounding Lug Wire Capacity | | Trade Size | Unit Qty. | Std. Qty. |
|----------------|-----------------------------|------|------------|-----------|-----------|
| | Min. Solid Strand | Max. | | | |
| TL-381 | 14 to 4 | | 1/2" | 50 | 500 |
| TL-382 | 14 to 4 | | 3/4" | 50 | 500 |
| TL-383 | 14 to 4 | | 1" | 25 | 250 |
| TL-384 | 8 to 1/0 | | 1 1/4" | 20 | 200 |
| TL-38414 | 14 to 4 | | 1 1/4" | 20 | 200 |
| TL-385 | 8 to 1/0 | | 1 1/2" | 20 | 200 |
| TL-38514 | 14 to 4 | | 1 1/2" | 20 | 200 |
| TL-386 | 8 to 1/0 | | 2" | 10 | 100 |
| TL-38614 | 14 to 4 | | 2" | 10 | 100 |
| TL-387 | 8 to 1/0 | | 2 1/2" | --- | 25 |
| TL-38740 | 6 to 250 MCM | | 2 1/2" | --- | 25 |
| TL-388 | 8 to 1/0 | | 3" | --- | 25 |
| TL-38840 | 6 to 250 MCM | | 3" | --- | 25 |
| TL-389 | 6 to 3/0 | | 3 1/2" | --- | 25 |
| TL-38940 | 6 to 250 MCM | | 3 1/2" | --- | 25 |
| TL-390 | 6 to 3/0 | | 4" | --- | 20 |
| TL-39040 | 6 to 250 MCM | | 4" | --- | 20 |



Bushings

Used with locknut to protect conductors inside threaded rigid or IMC conduit entering a box. Rounded surface of bushing prevents damage to wire insulation.

UL File No. E9391: 321 thru 332

UL File No. E11259: 321-B thru 330-B

SF File No. LR39354

Polypropylene - 105°C

| Catalog Number | Trade Size | Unit Qty. | Std. Qty. |
|----------------|------------|-----------|-----------|
| 321 | 1/2" | 100 | 1000 |
| 322 | 3/4" | 100 | 1000 |
| 323 | 1" | 50 | 500 |
| 324 | 1 1/4" | --- | 100 |
| 325 | 1 1/2" | --- | 100 |
| 326 | 2" | --- | 50 |
| 327 | 2 1/2" | --- | 25 |
| 328 | 3" | --- | 25 |
| 329 | 3 1/2" | --- | 25 |
| 330 | 4" | --- | 20 |
| 331 | 5" | --- | 5 |
| 332 | 6" | --- | 5 |

Nylon - 150°C

| Catalog Number | Trade Size | Unit Qty. | Std. Qty. |
|----------------|------------|-----------|-----------|
| 321-B | 1/2" | 100 | 1000 |
| 322-B | 3/4" | 100 | 1000 |
| 323-B | 1" | 50 | 500 |
| 324-B | 1 1/4" | --- | 100 |
| 325-B | 1 1/2" | --- | 100 |
| 326-B | 2" | --- | 50 |
| 327-B | 2 1/2" | --- | 25 |
| 328-B | 3" | --- | 25 |
| 329-B | 3 1/2" | --- | 25 |
| 330-B | 4" | --- | 20 |



Insulated Bushings

Used with locknut to protect conductors inside threaded rigid or IMC conduit entering a box. Plastic liner prevents damage to wire insulation. All products rated 150°C except catalog numbers 371 and 372 which are rated 105°C.

UL File No. E9391

Malleable Iron / Nylon Insulator

| Catalog Number | Trade Size | Unit Qty. | Std. Qty. |
|----------------|------------|-----------|-----------|
| 361 | 1/2" | 100 | 1000 |
| 362 | 3/4" | 100 | 1000 |
| 363 | 1" | 50 | 500 |
| 364 | 1 1/4" | 10 | 100 |
| 365 | 1 1/2" | 10 | 100 |
| 366 | 2" | 10 | 100 |
| 367 | 2 1/2" | 2 | 10 |
| 368 | 3" | 2 | 10 |
| 369 | 3 1/2" | --- | 5 |
| 370 | 4" | --- | 5 |
| 371 | 5" | --- | 5 |
| 372 | 6" | --- | 5 |

Zinc Die Cast / Nylon Insulator

| Catalog Number | Trade Size | Unit Qty. | Std. Qty. |
|----------------|------------|-----------|-----------|
| 361-DC | 1/2" | 100 | 1000 |
| 362-DC | 3/4" | 100 | 1000 |
| 363-DC | 1" | 50 | 500 |
| 364-DC | 1 1/4" | 10 | 100 |
| 365-DC | 1 1/2" | 10 | 100 |
| 366-DC | 2" | 10 | 100 |
| 367-DC | 2 1/2" | 2 | 10 |
| 368-DC | 3" | 2 | 10 |
| 369-DC | 3 1/2" | --- | 5 |
| 370-DC | 4" | --- | 5 |



Pull Caps

Used for capping EMT, rigid and most bushings.
 File No. LR39354

Polypropylene

| Catalog Number | Trade Size | Unit Qty. | Std. Qty. |
|----------------|------------|-----------|-----------|
| 341 | 1/2" | 100 | 1000 |
| 342 | 3/4" | 100 | 1000 |
| 343 | 1" | 100 | 1000 |
| 344 | 1 1/4" | 50 | 250 |
| 345 | 1 1/2" | 25 | 100 |
| 346 | 2" | 25 | 100 |



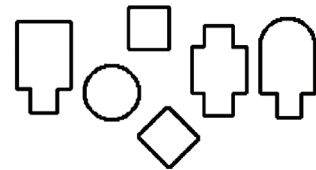
Stud Bushings

Protects wire insulation from abrasion in metal studs. Bushing allows smooth wire pulling.
 Used for all pre-punched shaped holes.

File No. E11259

Polypropylene

| Catalog Number | Hole Dia. | Unit Qty. | Std. Qty. |
|----------------|-----------|-----------|-----------|
| 9882 | --- | 50 | 500 |



Bushing Pennies

Used inside bushing to prevent foreign matter from entering conduit.

Galvanized Steel

| Catalog Number | Trade Size | Unit Qty. | Std. Qty. |
|----------------|------------|-----------|-----------|
| 1661 | 1/2" | 500 | 1000 |
| 1662 | 3/4" | 250 | 500 |
| 1663 | 1" | 100 | 200 |
| 1664 | 1 1/4" | 50 | 100 |
| 1665 | 1 1/2" | 50 | 100 |
| 1666 | 2" | 50 | 100 |
| 1667 | 2 1/2" | 50 | 100 |
| 1668 | 3" | 50 | 100 |
| 1669 | 3 1/2" | 25 | 100 |
| 1670 | 4" | 25 | 100 |
| 1671 | 5" | 25 | 100 |



Insulating Bushing

EMT bushing insulates telephone, computer, video and other low voltage wiring from sharp edges of EMT. Complies with NEC Article 300-15(c).

Polyethylene - 90°C

| Catalog Number | Trade Size | Unit Qty. | Std. Qty. |
|----------------|------------|-----------|-----------|
| TWB-51 | 1/2" | 100 | 1000 |
| TWB-52 | 3/4" | 50 | 500 |
| TWB-53 | 1" | 25 | 250 |
| TWB-54 | 1 1/4" | 25 | 250 |
| TWB-55 | 1 1/2" | --- | 100 |
| TWB-56 | 2" | --- | 50 |
| TWB-57 | 2 1/2" | --- | 25 |
| TWB-58 | 3" | --- | 25 |
| TWB-59 | 3 1/2" | --- | 25 |
| TWB-60 | 4" | --- | 25 |



Knockout Insulating Bushings

Converts metallic box rough edged holes to smooth insulated holes for protection of electrical, voice, data and video cables.

File No. LR24719

File No. E240912 (9791 thru 9796)

Nylon - 105°C

| Catalog Number | K.O. | K.O. Dia. | Unit Qty. | Std. Qty. |
|----------------|--------|-----------|-----------|-----------|
| 9791 | 1/2" | .875" | 100 | 1000 |
| 9792 | 3/4" | 1.109" | 100 | 1000 |
| 9793 | 1" | 1.375" | 50 | 500 |
| 9794 | 1 1/4" | 1.734" | 50 | 500 |
| 9795 | 1 1/2" | 1.984" | 25 | 250 |
| 9796 | 2" | 2.469" | 20 | 100 |
| 9797 | 2 1/2" | 2.969" | 20 | 100 |

THE WALL OF ORANGE™

BUILT FOR WHAT MATTERS



BUSHINGS REDEFINED.

MIGHTY-RITE® SPLIT BUSHINGS
DO MORE THAN JUST PROTECT CONDUCTORS.

STEEL



1/2 TO 6-INCH TRADE SIZES

NONMETALLIC



1 TO 4-INCH TRADE SIZES

ZINC



3/4 TO 4-INCH TRADE SIZES

NO MORE BURNING THROUGH BUSHINGS
OR FIGHTING WITH PULLERS.

See the Difference a bushing can make on your next job.

 **BRIDGEPORT**
BPTFITTINGS.COM

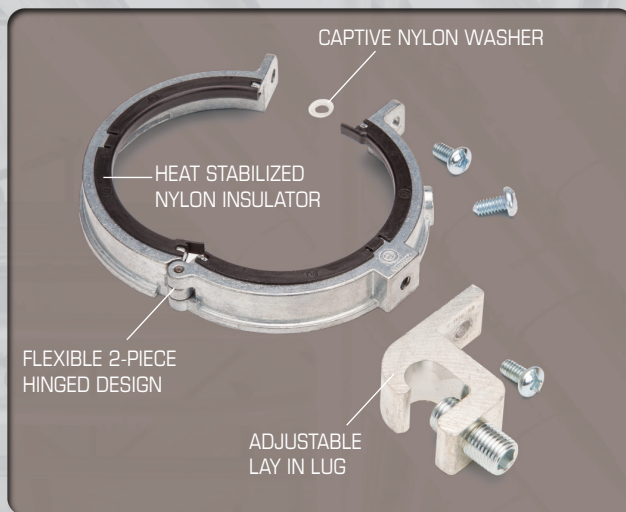


SEE THE DIFFERENCE
ORANGE MAKES™
BPTFITTINGS.COM/SPLIT

MIGHTY-RITE® SPLIT GROUNDING BUSHINGS

THE RIGHT SOLUTION BEFORE OR AFTER YOU PULL WIRE

Install MIGHTY-RITE Split Grounding Bushings before or after you pull wire and make connections. Its hinged design and adjustable grounding lug deliver installation flexibility on every job. So you can move on to the next job faster. It's another contractor innovation from Bridgeport.



- CAN BE INSTALLED BEFORE WIRE PULL, OR AFTER - WITHOUT EXPENSIVE REWORK
- ADJUSTABLE GROUNDING LUG ACCEPTS WIRE EASIER
- PULLING LARGER CONDUCTOR WIRE IS EASIER WHEN YOU CAN INSTALL GROUNDING BUSHINGS AFTER THE PULL
- LOW PROFILE
- HINGED DESIGN ADJUSTS AND ALIGNS EASIER - EVEN IN TIGHT SPOTS
- cULus LISTED
- AVAILABLE IN ZINC AND STEEL
- 150°C CAPTIVE NYLON INSULATOR



Mighty-Rite® Split Grounding Bushings

Mighty-Rite's hinged design and adjustable grounding lug deliver installation flexibility on every job. Zinc Die Cast versions provided with stainless steel hardware. Perfect for Solar Applications! Patented.

cULus File No. E20412

Zinc Die Cast / Nylon Insulator - 150°C



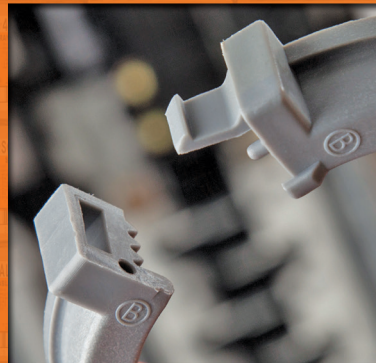
| Catalog Number | Grounding Lug Wire Capacity | | Trade Size | Unit Qty. | Std. Qty. |
|----------------|-----------------------------|------|------------|-----------|-----------|
| | Min. Solid Strand | Max. | | | |
| SGB-382CL | 14 to 4 | | 3/4" | 25 | 250 |
| SGB-383CL | 14 to 4 | | 1" | 25 | 250 |
| SGB-38414 | 14 to 4 | | 1 1/4" | 20 | 200 |
| SGB-384CL | 14 to 1/0 | | 1 1/4" | 20 | 200 |
| SGB-38514 | 14 to 4 | | 1 1/2" | 20 | 200 |
| SGB-385CL | 14 to 1/0 | | 1 1/2" | 20 | 200 |
| SGB-38614 | 14 to 4 | | 2" | 10 | 100 |
| SGB-386CL | 14 to 1/0 | | 2" | 10 | 100 |
| SGB-38740 | 6 to 250 MCM | | 2 1/2" | --- | 25 |
| SGB-387CL | 14 to 1/0 | | 2 1/2" | --- | 25 |
| SGB-38840 | 6 to 250 MCM | | 3" | --- | 25 |
| SGB-388CL | 14 to 1/0 | | 3" | --- | 25 |
| SGB-38940 | 6 to 250 MCM | | 3 1/2" | --- | 25 |
| SGB-389CL | 6 to 3/0 | | 3 1/2" | --- | 25 |
| SGB-39040 | 6 to 250 MCM | | 4" | --- | 20 |
| SGB-390CL | 6 to 3/0 | | 4" | --- | 20 |

Steel / Nylon Insulator - 150°C

| Catalog Number | Grounding Lug Wire Capacity | | Trade Size | Unit Qty. | Std. Qty. |
|----------------|-----------------------------|------|------------|-----------|-----------|
| | Min. Solid Strand | Max. | | | |
| SGBS-381CL | 14 to 4 | | 1/2" | 25 | 100 |
| SGBS-382CL | 14 to 4 | | 3/4" | 25 | 250 |
| SGBS-383CL | 14 to 4 | | 1" | 25 | 250 |
| SGBS-38414 | 14 to 4 | | 1 1/4" | 20 | 200 |
| SGBS-384CL | 14 to 1/0 | | 1 1/4" | 20 | 200 |
| SGBS-38514 | 14 to 4 | | 1 1/2" | 20 | 200 |
| SGBS-385CL | 14 to 1/0 | | 1 1/2" | 20 | 200 |
| SGBS-38614 | 14 to 4 | | 2" | 10 | 100 |
| SGBS-386CL | 14 to 1/0 | | 2" | 10 | 100 |
| SGBS-38740 | 6 to 250 MCM | | 2 1/2" | --- | 25 |
| SGBS-387CL | 14 to 1/0 | | 2 1/2" | --- | 25 |
| SGBS-38840 | 6 to 250 MCM | | 3" | --- | 25 |
| SGBS-388CL | 14 to 1/0 | | 3" | --- | 25 |
| SGBS-38940 | 6 to 250 MCM | | 3 1/2" | --- | 25 |
| SGBS-389CL | 6 to 3/0 | | 3 1/2" | --- | 25 |
| SGBS-39040 | 6 to 250 MCM | | 4" | --- | 20 |
| SGBS-390CL | 6 to 3/0 | | 4" | --- | 20 |
| SGBS-39050 | 350 to 500 MCM | | 4" | --- | 20 |
| SGBS-39150 | 350 to 500 MCM | | 5" | --- | 20 |
| SGBS-39250 | 350 to 500 MCM | | 6" | --- | 20 |

FOR MORE INFORMATION, VISIT: WWW.BPTFITTINGS.COM

NO BUSHING? NO WORRIES.



MIGHTY-RITE® NONMETALLIC SPLIT BUSHINGS

Needed to install an insulated bushing? Mighty-Rite's hinged design solves your problem. Simply snap-on before or after inspection. It's another contractor innovation from Bridgeport.

Patented and Other Patents Pending.

- CAN BE INSTALLED BEFORE WIRE PULL, OR AFTER – WITHOUT EXPENSIVE REWORK
- PULLING LARGER CONDUCTOR WIRE IS EASIER WHEN YOU CAN INSTALL BUSHINGS AFTER THE PULL
- HINGED DESIGN ADJUSTS AND ALIGNS EASIER – EVEN IN TIGHT SPOTS
- UNIQUE, SELF-ALIGNING LATCHING MECHANISM ALLOWS ONE HAND INSTALLATION
- cULus LISTED
- AVAILABLE IN 1- TO 4-INCH TRADE SIZES
- RATED 105°C

Distributed by:



 **BRIDGEPORT**
BPTFITTINGS.COM

Bridgeport Fittings, Inc.
705 Lordship Blvd.
Stratford, CT 06615-7313

Voice: 203.377.5944
Fax: 203.381.3488
E-mail: sales@bptfittings.com

CONNECT
ONLINE



Printed in the U.S.A.
© 2017 Bridgeport Fittings, Inc. All rights reserved.

3/17 XXXX BP-825

BUSHINGS ENGINEERED WITH THE BRIDGEPORT DIFFERENCE



Insulated Grounding Bushings

Used with locknut to terminate service conduit to cabinet. Aluminum alloy lug provided for bonding jumper to neutral busbar. Plastic liner prevents damage to wire insulation.

UL File No. E20412

Malleable Iron / Nylon Insulator - 150°C

| Catalog Number | Grounding Lug Wire Capacity | | Trade Size | Unit Qty. | Std. Qty. |
|----------------|-----------------------------|------|------------|-----------|-----------|
| | Min. Solid Strand | Max. | | | |
| 381 | 14 to 4 | | 1/2" | 50 | 500 |
| 382 | 14 to 4 | | 3/4" | 50 | 500 |
| 383 | 14 to 4 | | 1" | 25 | 250 |
| 384 | 14 to 1/0 | | 1 1/4" | 20 | 200 |
| 384-14 | 14 to 4 | | 1 1/4" | 20 | 200 |
| 385 | 14 to 1/0 | | 1 1/2" | 20 | 200 |
| 385-14 | 14 to 4 | | 1 1/2" | 20 | 200 |
| 386 | 14 to 1/0 | | 2" | 10 | 100 |
| 386-14 | 14 to 4 | | 2" | 10 | 100 |
| 387 | 14 to 1/0 | | 2 1/2" | --- | 25 |
| 387-40 | 6 to 250 MCM | | 2 1/2" | --- | 25 |
| 388 | 14 to 1/0 | | 3" | --- | 25 |
| 388-40 | 6 to 250 MCM | | 3" | --- | 25 |
| 389 | 14 to 1/0 | | 3 1/2" | --- | 25 |
| 389-40 | 6 to 250 MCM | | 3 1/2" | --- | 25 |
| 390 | 14 to 1/0 | | 4" | --- | 20 |
| 390-40 | 6 to 250 MCM | | 4" | --- | 20 |
| 391 | 6 to 250 MCM | | 5" | --- | 5 |
| 392 | 6 to 250 MCM | | 6" | --- | 5 |

Zinc Die Cast / Nylon Insulator - 150°C

| Catalog Number | Grounding Lug Wire Capacity | | Trade Size | Unit Qty. | Std. Qty. |
|----------------|-----------------------------|------|------------|-----------|-----------|
| | Min. Solid Strand | Max. | | | |
| 381-DC | 14 to 4 | | 1/2" | 50 | 500 |
| 382-DC | 14 to 4 | | 3/4" | 50 | 500 |
| 383-DC | 14 to 4 | | 1" | 25 | 250 |
| 384-DC | 14 to 1/0 | | 1 1/4" | 20 | 200 |
| 384-DC14 | 14 to 4 | | 1 1/4" | 20 | 200 |
| 385-DC | 14 to 1/0 | | 1 1/2" | 20 | 200 |
| 385-DC14 | 14 to 4 | | 1 1/2" | 20 | 200 |
| 386-DC | 14 to 1/0 | | 2" | 10 | 100 |
| 386-DC14 | 14 to 4 | | 2" | 10 | 100 |
| 387-DC | 14 to 1/0 | | 2 1/2" | --- | 25 |
| 387-DC40 | 6 to 250 MCM | | 2 1/2" | --- | 25 |
| 388-DC | 14 to 1/0 | | 3" | --- | 25 |
| 388-DC40 | 6 to 250 MCM | | 3" | --- | 25 |
| 389-DC | 14 to 1/0 | | 3 1/2" | --- | 25 |
| 389-DC40 | 6 to 250 MCM | | 3 1/2" | --- | 25 |
| 390-DC | 14 to 1/0 | | 4" | --- | 20 |
| 390-DC40 | 6 to 250 MCM | | 4" | --- | 20 |



Mighty-Rite® Nonmetallic Split Bushings

Patented split design allows for installation after conductors have been pulled. Used with a locknut to terminate threaded rigid and IMC to a box or enclosure. Used with a connector to prevent damage to wire insulation. Rated 105°C.

UL File No. E9391

Nonmetallic Split Bushing

| Catalog Number | Trade Size | Unit Qty. | Std. Qty. |
|----------------|------------|-----------|-----------|
| SB-383NM | 1" | 25 | 250 |
| SB-384NM | 1 1/4" | 20 | 200 |
| SB-385NM | 1 1/2" | 20 | 200 |
| SB-386NM | 2" | 10 | 100 |
| SB-387NM | 2 1/2" | --- | 25 |
| SB-388NM | 3" | --- | 25 |
| SB-389NM | 3 1/2" | --- | 25 |
| SB-390NM | 4" | --- | 20 |

Threadless Grounding Bushings

Used with a locknut to terminate threadless rigid conduit or IMC to a cabinet. Aluminum alloy lug provided for bonding jumper to neutral busbar. Plastic liner prevents damage to wire insulation.

UL File No. E20412



Malleable Iron / Aluminum Alloy Lug

| Catalog Number | Grounding Lug Wire Capacity | | Trade Size | Unit Qty. | Std. Qty. |
|----------------|-----------------------------|------|------------|-----------|-----------|
| | Min. Solid Strand | Max. | | | |
| TL-381 | 14 to 4 | | 1/2" | 50 | 500 |
| TL-382 | 14 to 4 | | 3/4" | 50 | 500 |
| TL-383 | 14 to 4 | | 1" | 25 | 250 |
| TL-384 | 8 to 1/0 | | 1 1/4" | 20 | 200 |
| TL-38414 | 14 to 4 | | 1 1/4" | 20 | 200 |
| TL-385 | 8 to 1/0 | | 1 1/2" | 20 | 200 |
| TL-38514 | 14 to 4 | | 1 1/2" | 20 | 200 |
| TL-386 | 8 to 1/0 | | 2" | 10 | 100 |
| TL-38614 | 14 to 4 | | 2" | 10 | 100 |
| TL-387 | 8 to 1/0 | | 2 1/2" | --- | 25 |
| TL-38740 | 6 to 250 MCM | | 2 1/2" | --- | 25 |
| TL-388 | 8 to 1/0 | | 3" | --- | 25 |
| TL-38840 | 6 to 250 MCM | | 3" | --- | 25 |
| TL-389 | 6 to 3/0 | | 3 1/2" | --- | 25 |
| TL-38940 | 6 to 250 MCM | | 3 1/2" | --- | 25 |
| TL-390 | 6 to 3/0 | | 4" | --- | 20 |
| TL-39040 | 6 to 250 MCM | | 4" | --- | 20 |



Bushings

Used with locknut to protect conductors inside threaded rigid or IMC conduit entering a box. Rounded surface of bushing prevents damage to wire insulation.

UL File No. E9391: 321 thru 332

UL File No. E11259: 321-B thru 330-B

SF File No. LR39354

Polypropylene - 105°C

| Catalog Number | Trade Size | Unit Qty. | Std. Qty. |
|----------------|------------|-----------|-----------|
| 321 | 1/2" | 100 | 1000 |
| 322 | 3/4" | 100 | 1000 |
| 323 | 1" | 50 | 500 |
| 324 | 1 1/4" | --- | 100 |
| 325 | 1 1/2" | --- | 100 |
| 326 | 2" | --- | 50 |
| 327 | 2 1/2" | --- | 25 |
| 328 | 3" | --- | 25 |
| 329 | 3 1/2" | --- | 25 |
| 330 | 4" | --- | 20 |
| 331 | 5" | --- | 5 |
| 332 | 6" | --- | 5 |

Nylon - 150°C

| Catalog Number | Trade Size | Unit Qty. | Std. Qty. |
|----------------|------------|-----------|-----------|
| 321-B | 1/2" | 100 | 1000 |
| 322-B | 3/4" | 100 | 1000 |
| 323-B | 1" | 50 | 500 |
| 324-B | 1 1/4" | --- | 100 |
| 325-B | 1 1/2" | --- | 100 |
| 326-B | 2" | --- | 50 |
| 327-B | 2 1/2" | --- | 25 |
| 328-B | 3" | --- | 25 |
| 329-B | 3 1/2" | --- | 25 |
| 330-B | 4" | --- | 20 |



Insulated Bushings

Used with locknut to protect conductors inside threaded rigid or IMC conduit entering a box. Plastic liner prevents damage to wire insulation. All products rated 150°C except catalog numbers 371 and 372 which are rated 105°C.

UL File No. E9391

Malleable Iron / Nylon Insulator

| Catalog Number | Trade Size | Unit Qty. | Std. Qty. |
|----------------|------------|-----------|-----------|
| 361 | 1/2" | 100 | 1000 |
| 362 | 3/4" | 100 | 1000 |
| 363 | 1" | 50 | 500 |
| 364 | 1 1/4" | 10 | 100 |
| 365 | 1 1/2" | 10 | 100 |
| 366 | 2" | 10 | 100 |
| 367 | 2 1/2" | 2 | 10 |
| 368 | 3" | 2 | 10 |
| 369 | 3 1/2" | --- | 5 |
| 370 | 4" | --- | 5 |
| 371 | 5" | --- | 5 |
| 372 | 6" | --- | 5 |

Zinc Die Cast / Nylon Insulator

| Catalog Number | Trade Size | Unit Qty. | Std. Qty. |
|----------------|------------|-----------|-----------|
| 361-DC | 1/2" | 100 | 1000 |
| 362-DC | 3/4" | 100 | 1000 |
| 363-DC | 1" | 50 | 500 |
| 364-DC | 1 1/4" | 10 | 100 |
| 365-DC | 1 1/2" | 10 | 100 |
| 366-DC | 2" | 10 | 100 |
| 367-DC | 2 1/2" | 2 | 10 |
| 368-DC | 3" | 2 | 10 |
| 369-DC | 3 1/2" | --- | 5 |
| 370-DC | 4" | --- | 5 |



Pull Caps

Used for capping EMT, rigid and most bushings.
 File No. LR39354

Polypropylene

| Catalog Number | Trade Size | Unit Qty. | Std. Qty. |
|----------------|------------|-----------|-----------|
| 341 | 1/2" | 100 | 1000 |
| 342 | 3/4" | 100 | 1000 |
| 343 | 1" | 100 | 1000 |
| 344 | 1 1/4" | 50 | 250 |
| 345 | 1 1/2" | 25 | 100 |
| 346 | 2" | 25 | 100 |



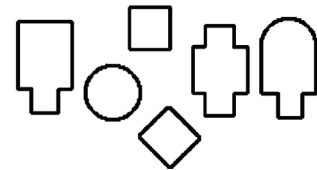
Stud Bushings

Protects wire insulation from abrasion in metal studs. Bushing allows smooth wire pulling.
 Used for all pre-punched shaped holes.

File No. E11259

Polypropylene

| Catalog Number | Hole Dia. | Unit Qty. | Std. Qty. |
|----------------|-----------|-----------|-----------|
| 9882 | --- | 50 | 500 |



Bushing Pennies

Used inside bushing to prevent foreign matter from entering conduit.

Galvanized Steel

| Catalog Number | Trade Size | Unit Qty. | Std. Qty. |
|----------------|------------|-----------|-----------|
| 1661 | 1/2" | 500 | 1000 |
| 1662 | 3/4" | 250 | 500 |
| 1663 | 1" | 100 | 200 |
| 1664 | 1 1/4" | 50 | 100 |
| 1665 | 1 1/2" | 50 | 100 |
| 1666 | 2" | 50 | 100 |
| 1667 | 2 1/2" | 50 | 100 |
| 1668 | 3" | 50 | 100 |
| 1669 | 3 1/2" | 25 | 100 |
| 1670 | 4" | 25 | 100 |
| 1671 | 5" | 25 | 100 |



Insulating Bushing

EMT bushing insulates telephone, computer, video and other low voltage wiring from sharp edges of EMT. Complies with NEC Article 300-15(c).

Polyethylene - 90°C

| Catalog Number | Trade Size | Unit Qty. | Std. Qty. |
|----------------|------------|-----------|-----------|
| TWB-51 | 1/2" | 100 | 1000 |
| TWB-52 | 3/4" | 50 | 500 |
| TWB-53 | 1" | 25 | 250 |
| TWB-54 | 1 1/4" | 25 | 250 |
| TWB-55 | 1 1/2" | --- | 100 |
| TWB-56 | 2" | --- | 50 |
| TWB-57 | 2 1/2" | --- | 25 |
| TWB-58 | 3" | --- | 25 |
| TWB-59 | 3 1/2" | --- | 25 |
| TWB-60 | 4" | --- | 25 |



Knockout Insulating Bushings

Converts metallic box rough edged holes to smooth insulated holes for protection of electrical, voice, data and video cables.

File No. LR24719

File No. E240912 (9791 thru 9796)

Nylon - 105°C

| Catalog Number | K.O. | K.O. Dia. | Unit Qty. | Std. Qty. |
|----------------|--------|-----------|-----------|-----------|
| 9791 | 1/2" | .875" | 100 | 1000 |
| 9792 | 3/4" | 1.109" | 100 | 1000 |
| 9793 | 1" | 1.375" | 50 | 500 |
| 9794 | 1 1/4" | 1.734" | 50 | 500 |
| 9795 | 1 1/2" | 1.984" | 25 | 250 |
| 9796 | 2" | 2.469" | 20 | 100 |
| 9797 | 2 1/2" | 2.969" | 20 | 100 |