

3-PIECE INSULATED TOOL KIT

 **1000 V** Rated for safety on the job



 **1000 V**



3-PIECE INSULATED TOOL KIT

Klein Tools Electrician's Insulated pliers and wire strippers are 1000V rated for safety on the job. The multi-color, sleek design with small thumb guards provides comfort for all day use, while also making for easy handling and storage. The durable, molded insulation meets or exceeds IEC 60900 and ASTM F1505 standards for insulated tools.



2288RINS

Diagonal-Cutting Pliers

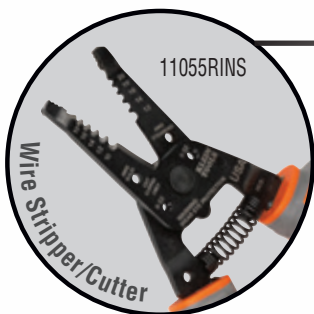
36% greater leverage



2139NERINS

Lieneman's Pliers

46% greater leverage
Sure-gripping cross-hatched knurled jaws



11055RINS

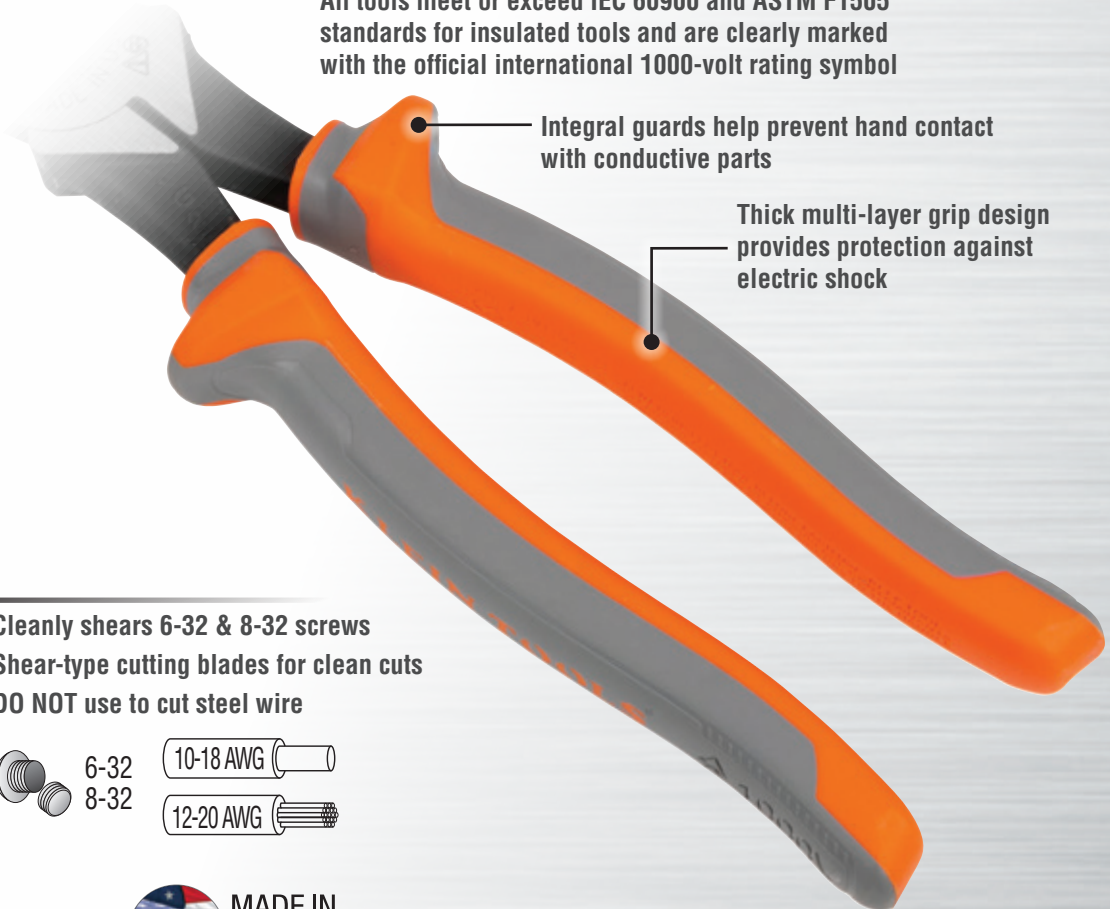
Wire Stripper/Cutter

Cuts, strips, and loops both
10-18 solid and
12-20 stranded AWG wire

Pliers (Cat. Nos. 2288RINS and 2139NERINS) feature:

- Induction hardened cutting knives for long life
- High-leverage design has greater cutting and gripping power than other plier designs
- Hot-riveted joint for smooth action and no handle wobble
- Made of forged steel for maximum durability

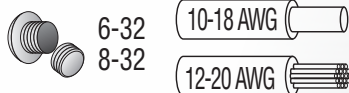
All tools meet or exceed IEC 60900 and ASTM F1505 standards for insulated tools and are clearly marked with the official international 1000-volt rating symbol



Integral guards help prevent hand contact with conductive parts

Thick multi-layer grip design provides protection against electric shock

Cleanly shears 6-32 & 8-32 screws
Shear-type cutting blades for clean cuts
DO NOT use to cut steel wire



For Professionals
SINCE 1857™

Cat. No.	UPC 0-92644+	Description
9416R	80012-2	1000V Insulated Tool Kit, 3-Piece Includes: 2288RINS, 2139NERINS, 11055RINS
11055RINS	74069-5	Insulated Klein-Kurve® Wire Stripper and Cutter
2288RINS	72024-6	Diagonal Cutting Pliers, Insulated, High Leverage, 8-Inch
2139NERINS	70162-7	Insulated Pliers, Side Cutters, 9-Inch

Warning statement: Visit www.kleintools.com for safety warnings



See our complete line of Insulated Tools
www.kleintools.com



© 2022 Klein Tools, Inc.
Lincolnshire, IL 60069
MKT090622 Rev. 09/22 A

3-PIECE INSULATED TOOL KIT

 **1000 V** Rated for safety on the job



 **1000 V**



3-PIECE INSULATED TOOL KIT

Klein Tools Electrician's Insulated pliers and wire strippers are 1000V rated for safety on the job. The multi-color, sleek design with small thumb guards provides comfort for all day use, while also making for easy handling and storage. The durable, molded insulation meets or exceeds IEC 60900 and ASTM F1505 standards for insulated tools.



2288RINS

Diagonal-Cutting Pliers

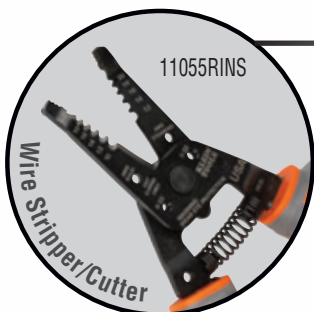
36% greater leverage



2139NERINS

Lieneman's Pliers

46% greater leverage
Sure-gripping cross-hatched knurled jaws



11055RINS

Wire Stripper/Cutter

Cuts, strips, and loops both
10-18 solid and
12-20 stranded AWG wire

Pliers (Cat. Nos. 2288RINS and 2139NERINS) feature:

- Induction hardened cutting knives for long life
- High-leverage design has greater cutting and gripping power than other plier designs
- Hot-riveted joint for smooth action and no handle wobble
- Made of forged steel for maximum durability

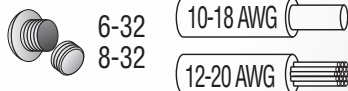
All tools meet or exceed IEC 60900 and ASTM F1505 standards for insulated tools and are clearly marked with the official international 1000-volt rating symbol



Integral guards help prevent hand contact with conductive parts

Thick multi-layer grip design provides protection against electric shock

Cleanly shears 6-32 & 8-32 screws
Shear-type cutting blades for clean cuts
DO NOT use to cut steel wire



For Professionals
SINCE 1857™



Cat. No.	UPC 0-92644+	Description
9416R	80012-2	1000V Insulated Tool Kit, 3-Piece Includes: 2288RINS, 2139NERINS, 11055RINS
11055RINS	74069-5	Insulated Klein-Kurve® Wire Stripper and Cutter
2288RINS	72024-6	Diagonal Cutting Pliers, Insulated, High Leverage, 8-Inch
2139NERINS	70162-7	Insulated Pliers, Side Cutters, 9-Inch

Warning statement: Visit www.kleintools.com for safety warnings

See our complete line of Insulated Tools
www.kleintools.com



© 2022 Klein Tools, Inc.
Lincolnshire, IL 60069
MKT090622 Rev. 09/22 A