



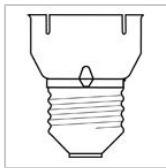
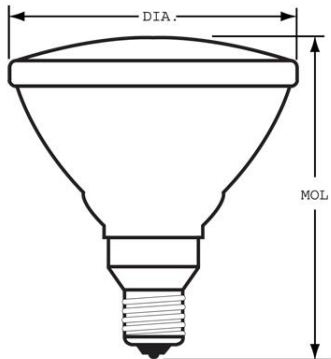
GE
Lighting

13308 - 90PAR/H/FL25

GE energy-efficient halogen 90 watt PAR38 floodlight 1-pack

- GE energy-efficient halogen bulbs deliver crisp, white light. This unsurpassed light quality is ideal for adding depth, drama and interest to any outdoor space. These GE energy-efficient halogen floodlights use less energy than standard halogen bulbs, saving money on energy. GE energy-efficient halogen floodlights feature lenses designed to provide a precise beam pattern, dispensing broad beams of crisp, white light on your home's exterior and landscaping. Designed with a unique all-weather construction, they withstand harsh weather conditions better than regular bulbs. Use these bulbs in outdoor stake light and security fixtures and create a dramatic effect
- Lasts 2.3 years based on 3 hours per day usage
- PAR38 outdoor floodlight with medium base for use in security and wet rated fixtures
- Estimated yearly energy costs \$10.84 based on 3 hours per day \$0.11 per kWh

Energy Savings



CAUTIONS & WARNINGS

Caution

- Lamp may shatter and cause injury if broken
 - Do not use lamp if outer glass is scratched or broken.

Warning

- Risk of Burn
 - Allow lamp to cool before handling.
- Pressurized lamp--unexpected rupture may cause injury, fire, or property damage
 - Do not use lamp if outer glass is scratched or broken.
- Risk of Fire
 - Keep combustible materials away from lamp.
- Risk of Electric Shock
 - Turn power off before inspection, installation or removal.

GENERAL CHARACTERISTICS

Lamp Type	Halogen - PAR
Bulb	PAR38
Base	Medium Skirt (E26/50x39)
Filament	CC-8
Rated Life	2500.0 hrs
Primary Application	Indoor and outdoor Floodlight

PHOTOMETRIC CHARACTERISTICS

Initial Lumens	1310.0 /1000.0
Center Beam Candlepower (CBCP)	4700.0
Color Temperature	2900.0 K
Beam Spread	25.0 °
Nominal Initial Lumens per Watt	14 /12

ELECTRICAL CHARACTERISTICS

Wattage	90.0
Voltage	130.0

DIMENSIONS

Maximum Overall Length (MOL)	5.3130 in(135.0 mm)
Bulb Diameter (DIA)	4.750 in(120.6 mm)

PRODUCT INFORMATION

Product Code	13308
Description	90PAR/H/FL25
Standard Package	Case
Standard Package GTIN	10043168133088
Standard Package Quantity	12
Sales Unit	Unit
No Of Items Per Sales Unit	1
No Of Items Per Standard Package	12
UPC	043168133081



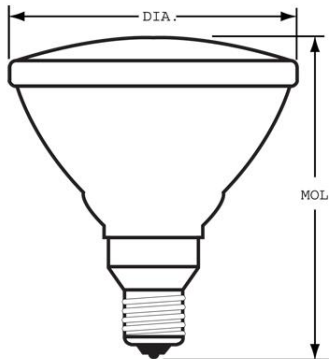
GE
Lighting

13308 - 90PAR/H/FL25

GE energy-efficient halogen 90 watt PAR38 floodlight 1-pack

- GE energy-efficient halogen bulbs deliver crisp, white light. This unsurpassed light quality is ideal for adding depth, drama and interest to any outdoor space. These GE energy-efficient halogen floodlights use less energy than standard halogen bulbs, saving money on energy. GE energy-efficient halogen floodlights feature lenses designed to provide a precise beam pattern, dispensing broad beams of crisp, white light on your home's exterior and landscaping. Designed with a unique all-weather construction, they withstand harsh weather conditions better than regular bulbs. Use these bulbs in outdoor stake light and security fixtures and create a dramatic effect
- Lasts 2.3 years based on 3 hours per day usage
- PAR38 outdoor floodlight with medium base for use in security and wet rated fixtures
- Estimated yearly energy costs \$10.84 based on 3 hours per day \$0.11 per kWh

Energy Savings



CAUTIONS & WARNINGS

Caution

- Lamp may shatter and cause injury if broken
 - Do not use lamp if outer glass is scratched or broken.

Warning

- Risk of Burn
 - Allow lamp to cool before handling.
- Pressurized lamp--unexpected rupture may cause injury, fire, or property damage
 - Do not use lamp if outer glass is scratched or broken.
- Risk of Fire
 - Keep combustible materials away from lamp.
- Risk of Electric Shock
 - Turn power off before inspection, installation or removal.

GENERAL CHARACTERISTICS

Lamp Type	Halogen - PAR
Bulb	PAR38
Base	Medium Skirt (E26/50x39)
Filament	CC-8
Rated Life	2500.0 hrs
Primary Application	Indoor and outdoor Floodlight

PHOTOMETRIC CHARACTERISTICS

Initial Lumens	1310.0 /1000.0
Center Beam Candlepower (CBCP)	4700.0
Color Temperature	2900.0 K
Beam Spread	25.0 °
Nominal Initial Lumens per Watt	14 /12

ELECTRICAL CHARACTERISTICS

Wattage	90.0
Voltage	130.0

DIMENSIONS

Maximum Overall Length (MOL)	5.3130 in(135.0 mm)
Bulb Diameter (DIA)	4.750 in(120.6 mm)

PRODUCT INFORMATION

Product Code	13308
Description	90PAR/H/FL25
Standard Package	Case
Standard Package GTIN	10043168133088
Standard Package Quantity	12
Sales Unit	Unit
No Of Items Per Sales Unit	1
No Of Items Per Standard Package	12
UPC	043168133081