



Catalog Number: 88GFL90S
Item Description: WIREWAY ACCESSORY
UPC Code: 784572109858

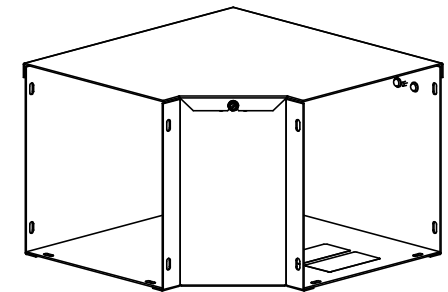
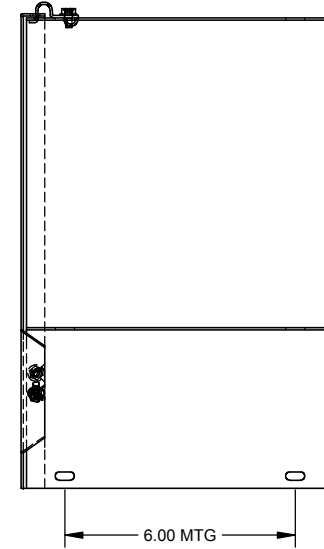
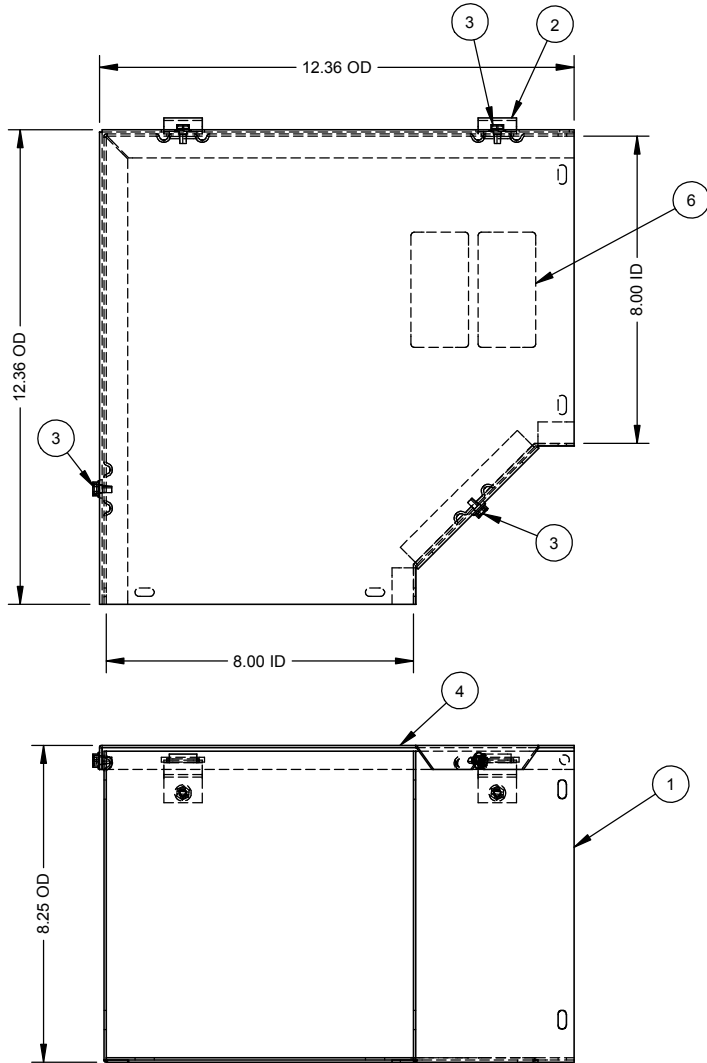
Brand Name: Milbank
Type: Wireway 90 Degree Side Opening Elbow
Application: Wireway Accessory
Standard: UL Listed, Type 1
Cover Type: Hinge Cover
Enclosure: Indoor Enclosure
Nominal Cross Section: 8x8
Material: Steel with Powder Coat Finish
Finish: ANSI 61 Gray
Knockouts: False


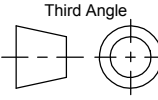


Utility requirements may vary. Always consult the serving utility for their requirements prior to ordering or installing this equipment. This product must always be installed by a licensed electrician. Installation of this equipment may require local electrical inspector approval.

CAT #	CAT ROI#	MAT'L	FINISH	LABEL
88GFL90S	1006524	CRS	ANSI 61 GRAY	1002943
88GFL90S-NP	1116938	GALV	NATURAL	1002943
RC-88GFL90S	1126323	CRS	ANSI 61 GRAY	1125051
SPSL-8890	1133044	CRS	ANSI 61 GRAY	1132575

ITEM	QTY.	PART NUMBER	DESCRIPTION
1	1	1116939	SHELL WELDMENT
2	2	1003198	HINGE
3	4	1001290	SCREW, 10-32 X 5/16
4	1	1116943	TOP
5	1	(SEE CHART)	LABEL (U/L LISTING)
6	1	1011646	LABEL, RATING



Material:	16 GA. SEE CHART FOR TYPE	 General Offices: Kansas City, MO												
Finish:	SEE CHART													
Tolerances: Unless Specified Otherwise X.X ±.1 X.XX ±.03 X.XXX ±.015 X° ±2°	Third Angle  Projection	Title:	8 x 8, HINGE COVER 90 DEG FLANGELESS ELBOW TYPE 1 WIREWAY											
		Catalog No.:	SEE CHART											
		Ref:												
		Drawing No.:	1006524											
A1	10/6/04	REDRAWN; ADD CHART	DC	A3	3/13/08	ADDED LABEL TO CHART & REMOVED NOTE (ECO.16940)	Scale:	NTS	Checked By:		Date:	10/6/04	Sheet	1 of 1
A2	9-19-06	mECO #15183, ADDED NOTE #1.	CMW	B	12/01/14	CHG'D MATERIAL TO 16 GA.(eCCR0030014)	Drawn By:	DC	Approved By:					



Catalog Number: 88GFL90S
Item Description: WIREWAY ACCESSORY
UPC Code: 784572109858

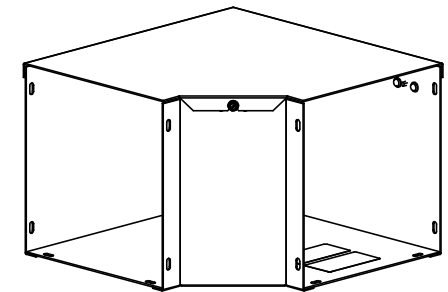
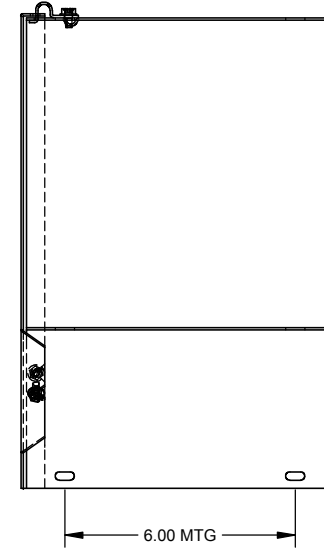
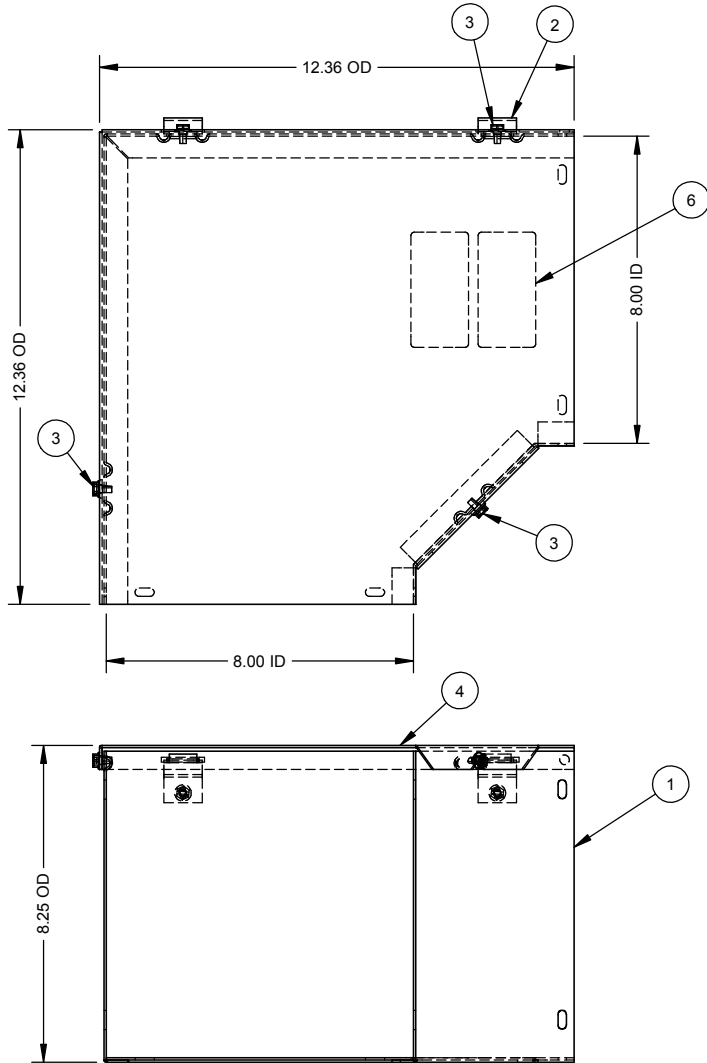
Brand Name: Milbank
Type: Wireway 90 Degree Side Opening Elbow
Application: Wireway Accessory
Standard: UL Listed, Type 1
Cover Type: Hinge Cover
Enclosure: Indoor Enclosure
Nominal Cross Section: 8x8
Material: Steel with Powder Coat Finish
Finish: ANSI 61 Gray
Knockouts: False


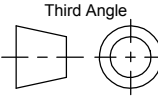


Utility requirements may vary. Always consult the serving utility for their requirements prior to ordering or installing this equipment. This product must always be installed by a licensed electrician. Installation of this equipment may require local electrical inspector approval.

CAT #	CAT ROI#	MAT'L	FINISH	LABEL
88GFL90S	1006524	CRS	ANSI 61 GRAY	1002943
88GFL90S-NP	1116938	GALV	NATURAL	1002943
RC-88GFL90S	1126323	CRS	ANSI 61 GRAY	1125051
SPSL-8890	1133044	CRS	ANSI 61 GRAY	1132575

ITEM	QTY.	PART NUMBER	DESCRIPTION
1	1	1116939	SHELL WELDMENT
2	2	1003198	HINGE
3	4	1001290	SCREW, 10-32 X 5/16
4	1	1116943	TOP
5	1	(SEE CHART)	LABEL (U/L LISTING)
6	1	1011646	LABEL, RATING



Material:	16 GA. SEE CHART FOR TYPE	 General Offices: Kansas City, MO												
Finish:	SEE CHART													
Tolerances: Unless Specified Otherwise X.X ±.1 X.XX ±.03 X.XXX ±.015 X° ±2°	Third Angle 	Title:	8 x 8, HINGE COVER 90 DEG FLANGELESS ELBOW TYPE 1 WIREWAY											
		Catalog No.:	SEE CHART											
		Ref:												
		Drawing No.:	1006524											
A1	10/6/04	REDRAWN; ADD CHART	DC	A3	3/13/08	ADDED LABEL TO CHART & REMOVED NOTE (ECO.16940)	Scale:	NTS	Checked By:		Date:	10/6/04	Sheet	1 of 1
A2	9-19-06	mECO #15183, ADDED NOTE #1.	CMW	B	12/01/14	CHG'D MATERIAL TO 16 GA.(eCCR0030014)	Drawn By:	DC	Approved By:					