

Horns

Vibrating

870 Series

The 870 Series surface mount vibrating horns are low-current, high decibel horns for heavy-duty indoor use. Supplied complete with mounting plate for easy installation.

Features and Specifications

- Corrosion resistant finish
- Volume adjustable
- Completely assembled
- Heavy duty die-cast housing
- Operating range: -20% to +10% of nominal voltage
- Projects only 2" (51mm) from mounting surface



874 AC

- Adjustable output: 88 to 113dB @ 1m (78 to 103dB @ 10ft.)
- 400 hour rating at 50% duty cycle
- FM Approved

875 DC

- Adjustable output: 88 to 111dB @ 1m (78 to 101dB @ 10ft.)

Ordering Information

| Description | Cat. No. | Operating Voltage ² | Current | VA | dB at 1m/10ft. ¹ | DC Coil Res (Ohms) |
|-------------------|---------------------|--------------------------------|---------|------|-----------------------------|--------------------|
| Surface Mount, AC | 874-E5 | 12V AC | 1.25 A | 15.0 | 113/103 | 1.5 |
| | 874-G5 | 24V AC | 0.63 A | 15.1 | 113/103 | 5.2 |
| | 874-N5 ³ | 120V AC | 0.13 A | 15.6 | 113/103 | 150 |
| | 874-R5 | 240V AC | 0.06 A | 14.4 | 113/103 | 580 |
| Surface Mount, DC | 875-C1 | 6V DC | 0.70 A | 4.2 | 111/101 | 1.6 |
| | 875-E1 | 12V DC | 0.27 A | 3.2 | 111/101 | 6 |
| | 875-G1 | 24V DC | 0.16 A | 3.8 | 111/101 | 24 |
| | 875-P1 | 125V DC | 0.025 A | 3.1 | 111/101 | 600 |
| | 875-S1 | 250V DC | 0.014 A | 3.5 | 111/101 | 2640 |

¹Measured in anechoic chamber.

²AC voltage frequency is 50/60 Hz.

³Diode Polarized version available in red, order 884D-N5.

Accessories

| Description | Cat. No. |
|-------------------|----------|
| Plastic Projector | 872-PO |

Signal Input Load Characteristics

These devices may be operated by PLCs with output characteristics that match the input load requirements of the signal.

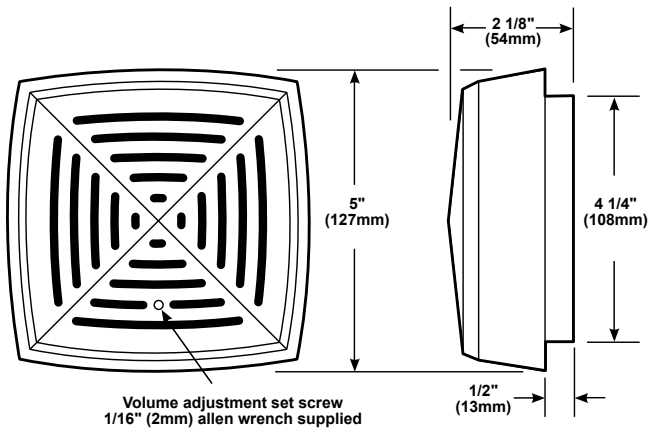
| Cat. No. | Operating Voltage | Max. Off State Leakage Current (A) | Continuous On Current (A) | Surge (Inrush/Duration) Amps/Seconds |
|----------|-------------------|------------------------------------|---------------------------|--------------------------------------|
| 874-N5 | 120V AC | 0.025 | 0.120 | 1.02/0.00026 |
| 875-G1 | 24V DC | 0.025 | 0.150 | 1.7/0.00042 |



Horns Vibrating 870 Series

Weights and Dimensions

| Cat. No. | Approx. Net Weight (lb.) | Approx. Shipping Weight (lb.) |
|----------|--------------------------|-------------------------------|
| 874-E5 | 2.60 | 2.82 |
| 874-G5 | 2.60 | 2.82 |
| 874-N5 | 2.60 | 2.82 |
| 874-R5 | 2.60 | 2.82 |
| 875-C1 | 2.60 | 2.82 |
| 875-E1 | 2.60 | 2.82 |
| 875-G1 | 2.60 | 2.82 |
| 875-P1 | 2.60 </td <td>2.82</td> | 2.82 |
| 875-S1 | 2.60 | 2.82 |
| 872-PO | 0.34 | 0.58 |



Mounts on any single gang, 3 1/4" (83mm),
3 1/2" (89mm), 4" (102mm) octagon or 4" (102mm) square box.